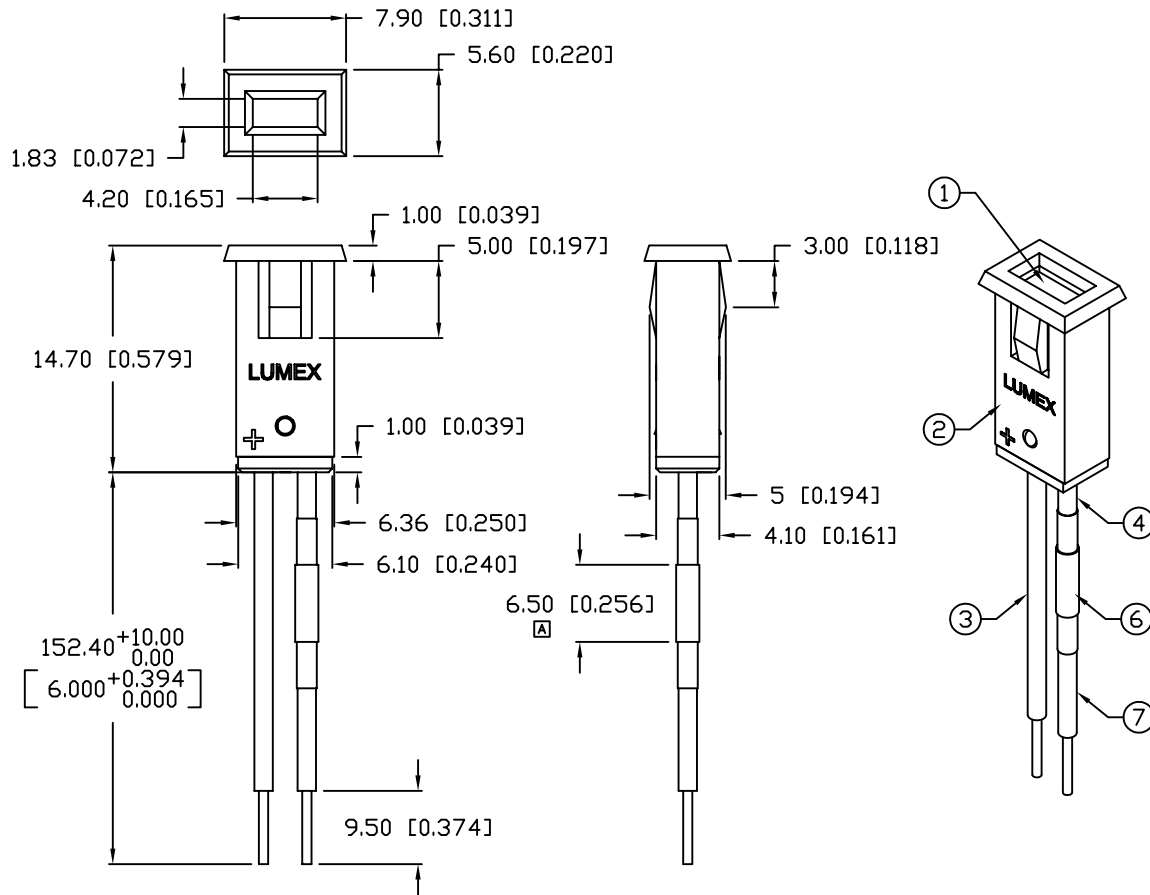


PART NUMBER		REV.
SSI-LXMP059IDQ9222		A
REV.	E.C.N. NUMBER AND REVISION COMMENTS	DATE
A	E.C.N. #11108.	3.10.04



NOTES:

- SSL-LX2573ID, RED LED.
TRIM LEADS TO 3~4mm.
- 2-PIECE HOUSING: SSH-LXMP059-HSG
SSH-LXMP059-BSG2.
- LXP-WST24RDT0C, RED INSULATED LEAD, 24 AWG., CUT 155mm, STRIP 3mm & 9.5mm.
- LXP-WST24WHT0C, WHITE INSULATED LEAD, 24 AWG., CUT 45mm, STRIP 3mm BOTH SIDES.
- LXP-RES1000 1/4W (NOT SHOWN).
- INSULATE RESISTOR AND CRIMPS WITH HEATSHRINK (1/8" x 1" LONG.)
- LXP-WST24WHT0C, WHITE INSULATED LEAD, 24 AWG., CUT 90mm, STRIP 3mm & 9.5mm.

*UNLESS OTHERWISE SPECIFIED TOLERANCES PER DECIMAL PRECISION ARE: X=±1 (±0.039), X.X=±0.5 (±0.020), X.XX=±0.25 (±0.010), X.XXX=±0.127 (±0.005). LEAD SIZE=±0.05 (±0.002), LEAD LENGTH=±0.75 (±0.030). MIN.= +DECIMAL PRECISION MAX.= +0.00 -DECIMAL PRECISION

ELECTRO-OPTICAL CHARACTERISTICS $T_A=25^{\circ}\text{C}$ $V_f=12\text{V}$

PARAMETER	MIN	TYP	MAX	UNITS	TEST COND
PEAK WAVELENGTH		635		nm	
FORWARD VOLTAGE		12.0	14.0	V_f	
REVERSE VOLTAGE	5.0			V_r	$I_r=100\mu\text{A}$
AXIAL INTENSITY		10		mcd	$V_f=12\text{V}$
VIEWING ANGLE		80		2x theta	
EMITTED COLOR:	RED				
EPOXY LENS FINISH:	RED DIFFUSED				

LIMITS OF SAFE OPERATION AT 25°C

PARAMETER	MAX	UNITS
PEAK FORWARD VOLTAGE	14	V
STEADY CURRENT	10	mA
POWER DISSIPATION	310	mW
DERATE FROM 25°C	-1.2	mW/°C
OPERATING, STORAGE TEMP.	-40 TO +85	°C

REV.	PART NUMBER
A	SSI-LXMP059IDQ9222

CONFIDENTIAL INFORMATION
THE INFORMATION CONTAINED IN THIS DOCUMENT IS THE PROPERTY OF LUMEX INC. EXCEPT AS SPECIFICALLY AUTHORIZED IN WRITING BY LUMEX INC., THE HOLDER OF THIS DOCUMENT SHALL KEEP ALL INFORMATION CONTAINED HEREIN CONFIDENTIAL AND SHALL PROTECT SAME IN WHOLE OR IN PART FROM DISCLOSURE AND DISSEMINATION TO ALL THIRD PARTIES.



290 E. HELEN ROAD
PALATINE, IL 60067-6976
PHONE: +1.847.359.2790
US WEB: www.lumex.com
TW WEB: www.lumex.com.tw

RECTANGULAR PANEL MOUNT INDICATOR, 635nm RED LED,
RED DIFFUSED LENS, 6" WIRE LEADS, 12 VOLTS.

RELIABILITY NOTE
OUR MANY YEARS OF EXPERIENCE DATA ACCUMULATION INDICATE THAT SOLDER HEAT IS A MAJOR CAUSE OF EARLY AND FUTURE FAILURE. PLEASE PAY ATTENTION TO YOUR SOLDERING PROCESS.

DRAWN BY:	CHECKED BY:	APPROVED BY:	DATE:
BS/BC			6.15.01
			PAGE: 1 OF 1
			SCALE: N/A