

Detail "a" Bottom View (4:1)

NOTE:

070464FB025□□03WR

1. Selective plating
 - 'S1,-05u" Min. gold in contact area/
100u" Min. Tin in solder area.
 - 'S2,-Gold flash in contact area/
100u" Min. Tin in solder area.
 - 'S3,-10u" Min. gold in contact area/
100u" Min. Tin in solder area.
 - 'S4,-15u" Min. gold in contact area/
100u" Min. Tin in solder area.
 - 'S5,-30u" Min. gold in contact area/
100u" Min. Tin in solder area.
 - 'S6,-50u" Min. gold in contact area/
100u" Min. Tin in solder area.

4	SHELL	SPCC	—	NICKEL PLATED
3	FORK	COPPER	—	TIN PLATED
2	TERMINAL	PHO.BRONZE	—	SELECTIVE GOLD/TIN
1	PLASTICS	HIGH TEMP	—	UL94V-0
NO.	DESCRIPTION	MATERIAL	COLOR	REMARK

SUYIN
CONNECTOR

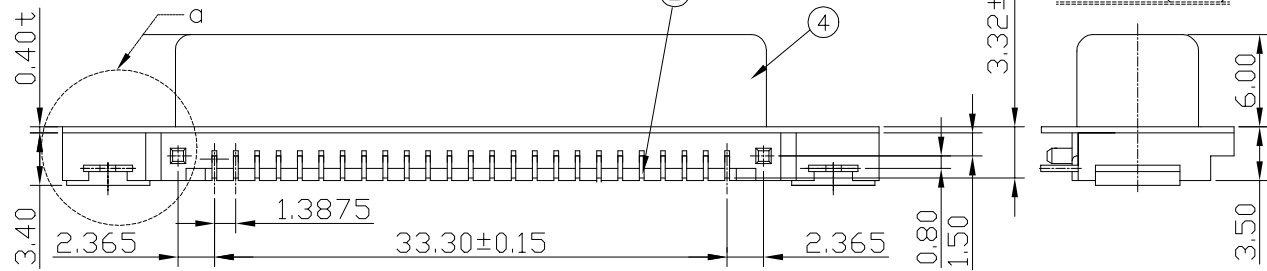
CUSTOMER COPY TITLE: D-SUB CONNECTOR FEMALE SMT TYPE

PART NO. 070464FB025SX03WR

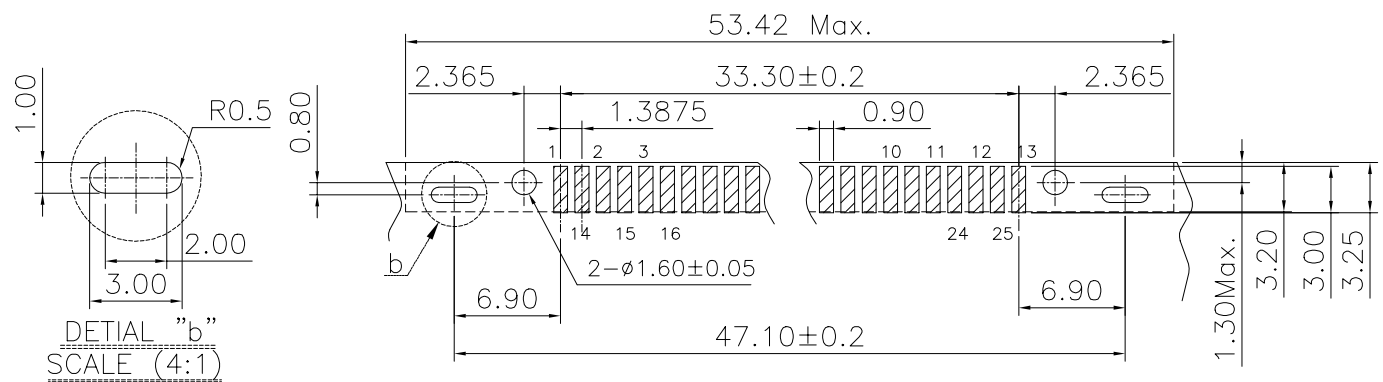
PART NO. (OLD) _____

DRAWING NO. ^D/_{ING} 070464FB025SX03WR

SCALE 2:1 UNIT mm A4



Recommended P.C.B Layout(Component Side)



DETIAL "b"
SCALE (4:1)

						Angle	±2°	DRAW		
						30 ~	±0.50	DESIGN		
						10 ~ 30	±0.30	CHECK		
						~ 10	±0.15	APPRO.		
ECN (DCN) NO.	REV	DATE	DESCRIPTION	CHANGE	APPRO.	GENERAL TOLERANCE UNLESS OTHERWISE NOTED				

0

NEW

ECN (DCN) NO.

REV

DATE

DESCRIPTION

CHANGE

APPRO.

GENERAL TOLERANCE UNLESS OTHERWISE NOTED

APPRO.

SCALE 2:1

UNIT mm

A4