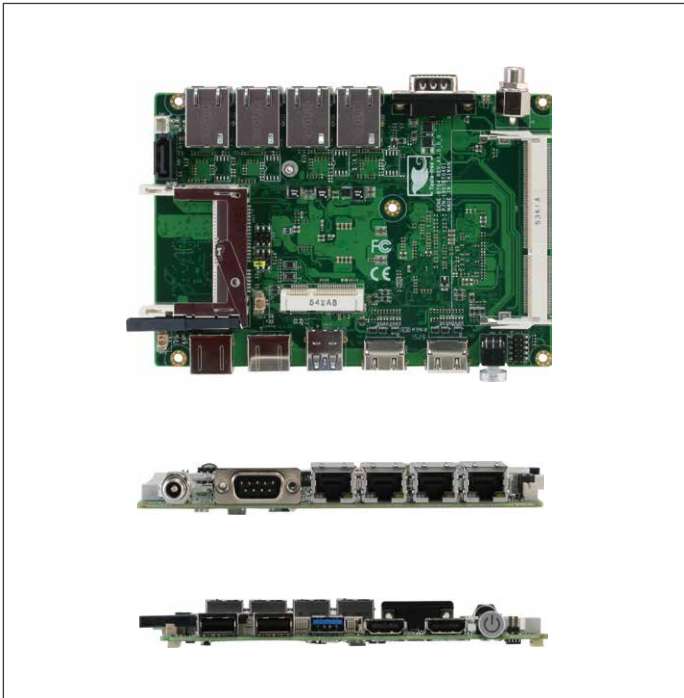


## 3.5" SubCompact Board with Intel® Celeron® J1900/N2807 Processor SoC



### Features

- Intel® Celeron® J1900/ N2807 Processor
- DDR3L 1333 SO-DIMM slot x1, Max. up to 8GB
- Intel® LAN i211AT x4 Gigabit Ethernet, RJ-45 x 4
- HDMI x 2: HDMI 1(w/Audio), HDMI 2(w/o Audio)
- USB 2.0 x 2, USB 3.0 x 1, COM x 1
- Mini Card slot x 1(Full-size)
- SATA 2.0 x 1
- DC 12V ATX Mode



### Specifications

| System                      |  |
|-----------------------------|--|
| Form Factor                 | 3.5" SubCompact Board                                |
| CPU                         | Intel® Celeron® J1900/ N2807 SoC Processor           |
| CPU Frequency               | Up to 2.0GHz   |
| Chipset                     | Intel® Bay Trail N2807/J1900 SOC processor           |
| Memory Type                 | DDR3L 1333, SODIMM x 1                               |
| Max. Memory Capacity        | Up to 8G   |
| BIOS                        | UEFI   |
| Wake on LAN                 | Yes  |
| Watchdog Timer              | 255 Level  |
| Power Requirement           | +12V   |
| Power Supply Type           | ATX mode   |
| Power Consumption (Typical) | Intel® N2807, DDR3L 1600MHz 4G, 0.65A@ +12V          |
| Dimension (L x W)           | 5.75" x 4" (146mm x 101.6mm)                         |
| Operating Temperature       | 32°F ~ 140°F (0°C ~ 60°C)                            |
| Storage Temperature         | -40°F ~ 176°F (-40°C ~ 80°C)                         |
| Operating Humidity          | 0% ~ 90% relative humidity, non-condensing           |
| MTBF (Hours)                | 155,000  |
| Certification               | CE/FCC   |
| Display                     |  |
| VGA/LCD Controller          | Intel® Celeron® J1900/ N2807 SoC Processor           |
| Video Output                | HDMI x 2: HDMI 1(w/Audio), HDMI 2(w/o Audio)         |
| Backlight inverter supply   | —  |
| I/O                         |  |
| Ethernet                    | Intel® I211AT(or 210), 10/100/1000Base-TX, RJ-45 x 4 |
| Audio                       | High definition audio interface                      |
| USB Port                    | USB2.0 x 2 , USB 3.0 x 1                             |
| Serial Port                 | RS-232 x 1   |
| Parallel Port               | —  |
| HDD Interface               | SATA 2.0 x 1   |
| FDD Interface               | —  |
| SSD                         | CFAST™ x 1   |
| Expansion Slot              | Mini Card x 1 (for USB only)                         |
| PWM LCD Support             | 4 Bit  |
| DIO                         | x 1  |
| TPM                         | —  |
| Touch                       | —  |

### Packing List

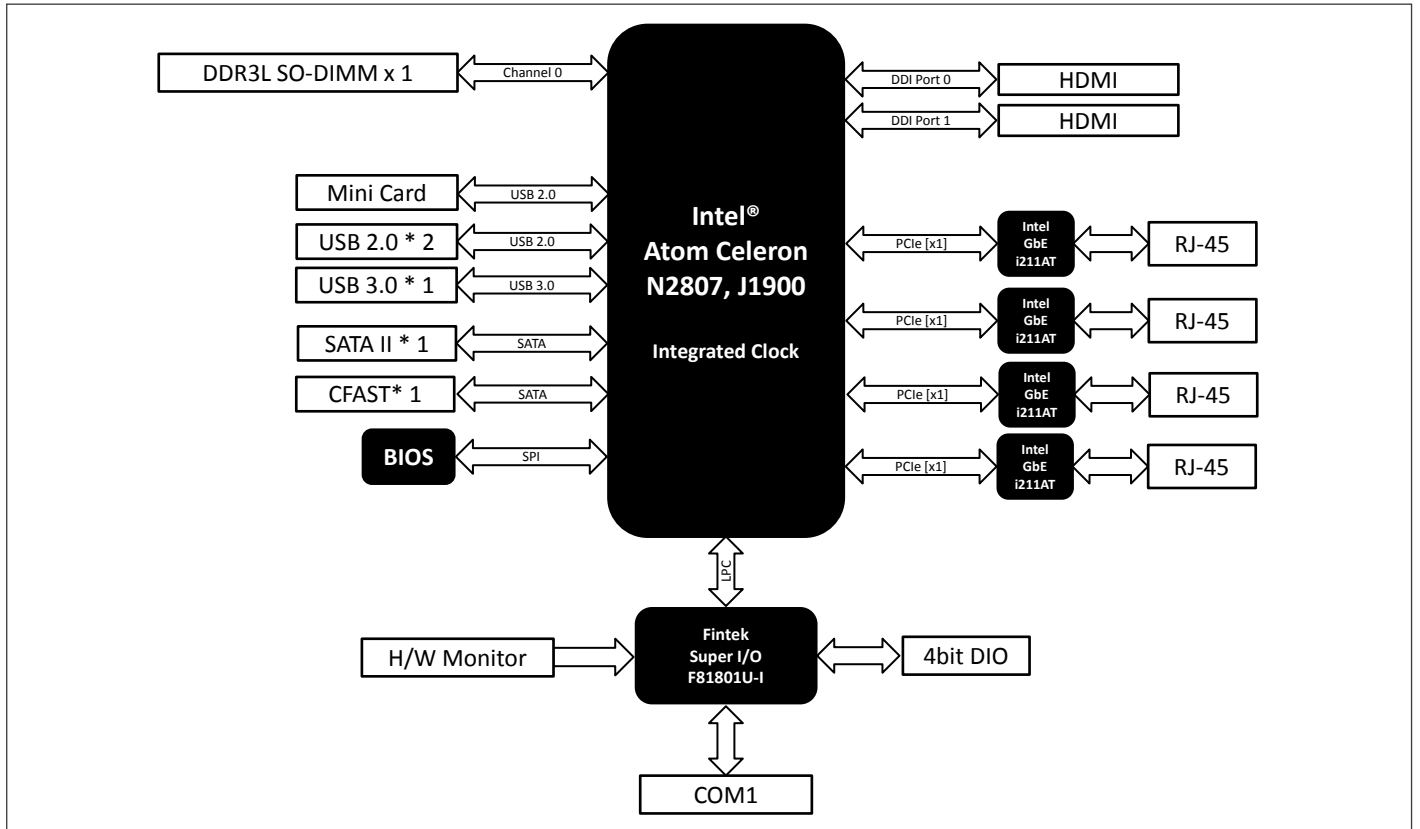
- 1702041004  
Power Cable
- Product DVD
- GENE-BT04 with Heatspreader

### Optional Accessories

| Part Number | Description  | QTY |
|-------------|--|-----|
| 1709070500  | (TF)SATA CABLE, 7P Pitch 1.27mm, 50cm                    | 1   |
| 1702150155  | (TF)Power Cable, 15P SATA(F), 2P 2.0mm Housing(PH), 15cm | 1   |

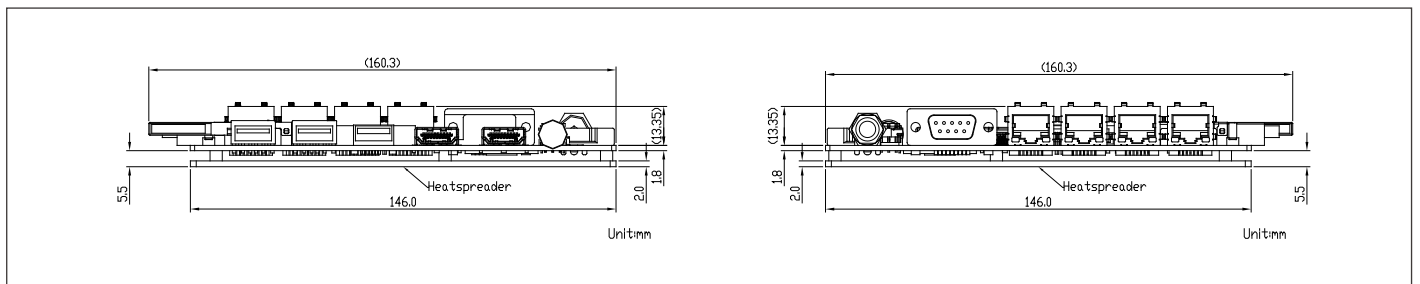
# GENE-BT04

## Block Diagram



## Dimension

Unit: mm



## Ordering Information

| Part Number        | CPU                   | Fan/Fanless | Display  | LVDS | Storage  | LAN     | USB                       | RS-232 | RS-232/422/485 | Expansion Slot      | Power | Power Temp | Others  |
|--------------------|-----------------------|-------------|----------|------|----------|---------|---------------------------|--------|----------------|---------------------|-------|------------|---------|
| GENE-BT04-A10-0001 | Intel® Celeron® N2807 | Fanless     | HDMI x 2 | —    | SATA x 1 | GbE x 4 | USB3.0 x 1<br>USB 2.0 x 2 | 1      | —              | miniCard x 1 (Full) | 12V   | 0°C ~ 60°C | DIO x 4 |
| GENE-BT04-A10-0002 | Intel® Celeron® J1900 | Fanless     | HDMI x 2 | —    | SATA x 1 | GbE x 4 | USB3.0 x 1<br>USB 2.0 x 2 | 1      | —              | miniCard x 1 (Full) | 12V   | 0°C ~ 60°C | DIO x 4 |