

PLEASE CHECK WWW.MOLEX.COM FOR LATEST PART INFORMATION

Part Number: [0367180004](#)
Status: **Active**
Overview: [din_41612](#)
Description: 2.54mm (.100") Pitch DIN 41612 Header, Style R, Male, Right Angle, Through Hole, 0.6µm (24µ") Selective Gold (Au), PC Tail Length 15.10mm (.591"), 64 Circuits

Documents:

[Drawing \(PDF\)](#) [RoHS Certificate of Compliance \(PDF\)](#)
[Product Specification PS-36511-001 \(PDF\)](#)

General

Product Family	Backplane Connectors
Series	36718
Application	Daughtercard
Comments	No Mounting Clip
Component Type	PCB Header
Overview	din_41612
Product Name	IEC 603-2/DIN 41612
Style	R

Physical

Circuits (Loaded)	64
Circuits (maximum)	64
Circuits Detail	1,2,3,...32; a+c
Color - Resin	Gray
Durability (mating cycles max)	400
First Mate / Last Break	No
Guide to Mating Part	No
Keying to Mating Part	Yes
Material - Metal	Brass
Material - Plating Mating	Gold
Material - Plating Termination	Tin
Material - Resin	Polyester
Number of Columns	32
Number of Pairs	Open Pin Field
Number of Rows	2
Orientation	Vertical
PC Tail Length (in)	0.594 In
PC Tail Length (mm)	15.10 mm
PCB Locator	No
PCB Retention	Yes
PCB Thickness Recommended (in)	0.063 In
PCB Thickness Recommended (mm)	1.60 mm
Packaging Type	Carton
Pitch - Mating Interface (in)	0.100 In
Pitch - Mating Interface (mm)	2.54 mm
Pitch - Term. Interface (in)	0.100 In
Pitch - Term. Interface (mm)	2.54 mm
Plating min: Mating (µin)	24
Plating min: Mating (µm)	0.60
Polarized to PCB	Yes
Stackable	No
Surface Mount Compatible (SMC)	No
Temperature Range - Operating	-55°C to +125°C
Termination Interface: Style	Through Hole

EU RoHS **China RoHS**

Compliance Status

Not Reviewed

REACH SVHC

Not Reviewed

Halogen-Free

Status

Not Reviewed

Need more information on product environmental compliance?

Email productcompliance@molex.com
 For a multiple part number RoHS Certificate of Compliance, [click here](#)

Please visit the [Contact Us](#) section for any non-product compliance questions.

Search Parts in this Series

[36718Series](#)

Electrical

Current - Maximum per Contact	1A
Data Rate	622.0 Mbps
Voltage - Maximum	1000V (RMS)

Material Info

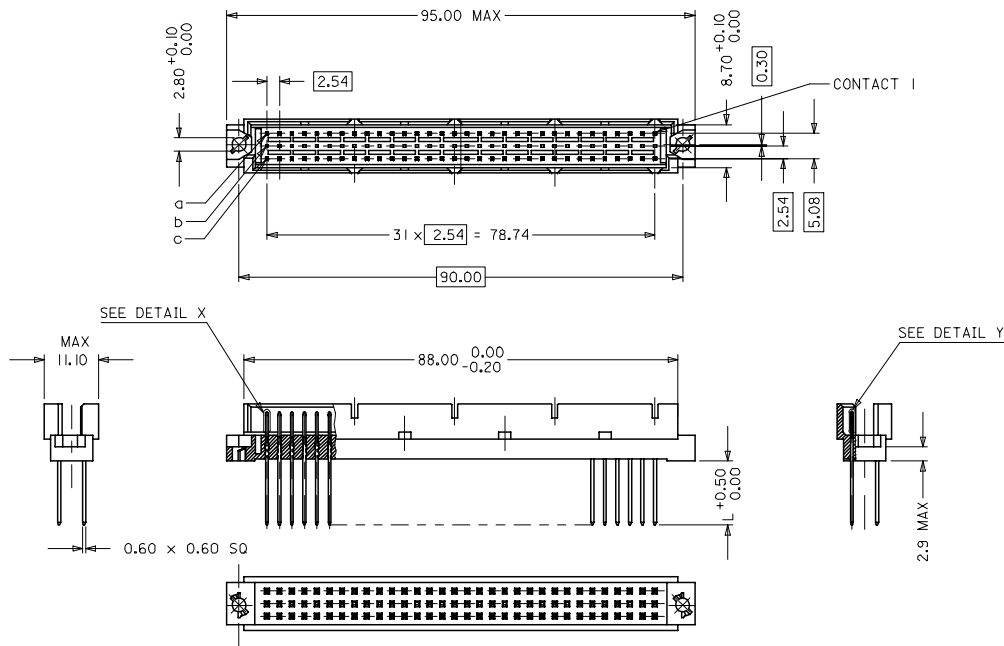
Old Part Number	MMB15W1R963-104
-----------------	-----------------

Reference - Drawing Numbers

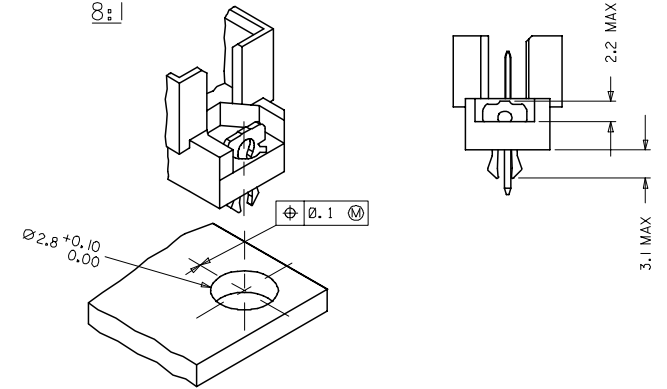
Packaging Specification	PK-36511-001
Product Specification	PS-36511-001
Sales Drawing	SD-36718-004

This document was generated on 05/13/2010

PLEASE CHECK WWW.MOLEX.COM FOR LATEST PART INFORMATION

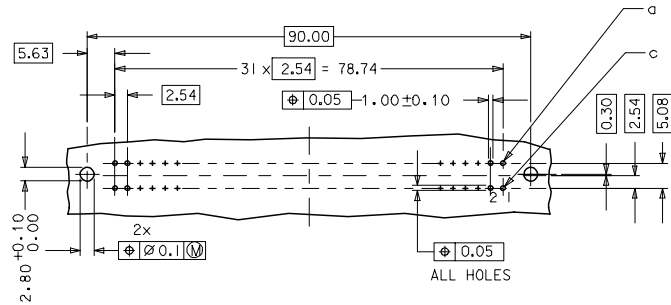


WITH MOUNTING CLIPS



- NOTES:
- 1) MATERIALS: THERMOPLASTIC POLYESTER, GLASS FILLED, UL94V-0, COLOUR: PEBBLE GREY RAL 7032
TERMINAL - BRASS
MOUNTING CLIP: STEEL
 - 2) FINISH: TERMINAL:-
CONTACT AREA & TERMINATION AREA.
1. PERFORMANCE LEVEL 2: SELECTIVE GOLD (Au), THICKNESS = 0.6 MICROMETER
OVER NICKEL, THICKNESS = 1.25 MICROMETER
 - 3) MOUNTING CLIP:-
TIN (Sn), THICKNESS = 5-10 MICROMETER,
OVER NICKEL (Ni), THICKNESS = 2.5 MICROMETER
 - 4) FOR NON MOUNTING CLIP OPTION, CONNECTOR TO BE SECURED WITH
RIVETS: 2 TUBULAR RIVETS 2.5 x 0.3 ... DIN 7340
SCREWS: 2 CHEESEHEAD SCREWS M2.5 x DIN 84 AND 2 HEXAGONAL NUTS M2.5 DIN 934
 - 5) MATERIAL NUMBER, BATCH CODE, UL AND CSA MARKING
TO BE PRINTED ON THE CONNECTOR
 - 6) CUT FACE OF TIP WITHOUT PLATING PERMITTED
 - 7) PRODUCT SPECIFICATION PS : 36511-001

RECOMMENDED PCB LAYOUT
COMPONENT SIDE

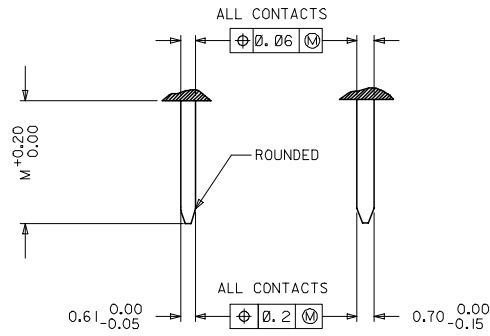


RoHS COMPLIANT

ENTER DESCRIPTION ELC INC: 12008-0072 (DRAWING) CHKD: 2007/08/21 APPR: KPRASAD 2007/08/21	QUALITY SYMBOLS ▽=0 ▽=0	GENERAL TOLERANCES (UNLESS SPECIFIED)		DIMENSION STYLE MM ONLY	SCALE 2:1	DESIGN UNITS METRIC	THIRD ANGLE PROJECTION
		4 PLACES ± 0.15 3 PLACES ± 0.005 2 PLACES ± 0.05 1 PLACE ± 0.1	± 0.15 ± 0.005 ± 0.05 ± 0.1	± 0.15 ± 0.005 ± 0.05 ± 0.1	± 0.15 ± 0.005 ± 0.05 ± 0.1	DRAWN BY: SJ DATE: 2007/08/6 CHECKED BY: KPRASAD DATE: 2007/08/6 APPROVED BY: KPRASAD DATE: 2007/08/6	TITLE: ASSY, DIN41612 R MALE A+C LOADED 64 POS CDOT PART
DRAFT WHERE APPLICABLE MUST REMAIN WITHIN DIMENSIONS	SEE SHEET 2	MATERIAL NO. SD-36718-004	DOCUMENT NO.	THIS DRAWING CONTAINS INFORMATION THAT IS PROPRIETARY TO MOLEX INCORPORATED AND SHOULD NOT BE USED WITHOUT WRITTEN PERMISSION			

20	19	18	17	16	15	14	13	12	11	10	9	8	7	6	5	4	3	2	1
MATERIAL No.	MOLEX ENG No.	C-DOT PART NO.	PERF LEVEL	PLATING	CONTACT SEQUENCE/ROW	DIM "L" MM	MOUNTING CLIP	FMLB											
36718-0004	MM-B15W1-R963-104	MCC-EURVM005-302	2	AU + NI	1,2,3...32 a+c	15.1	NO	NO											

DETAILY DETAILX



PRE MATING CONTACTS	5.4
NORMAL CONTACTS	4.8
	M

RoHS COMPLIANT

ENTER DESCRIPTION ELC MC: 12008-0072 2007/08/17 DRAWING: 2007/08/17 CHECKED BY: KPRASAD 2007/08/17 APPROVED BY: KPRASAD 2007/08/17	QUALITY SYMBOLS 	GENERAL TOLERANCES (UNLESS SPECIFIED)		DIMENSION STYLE MM ONLY	SCALE 2:1	DESIGN UNITS METRIC	THIRD ANGLE PROJECTION
		4 PLACES ± --- ± --- 3 PLACES ± 0.005 ± --- 2 PLACES ± 0.05 ± --- 1 PLACE ± 0.1 ± ---	INCH ± --- ± --- ± --- ± ---	DRAWN BY SJ	DATE 2007/08/6	TITLE ASSY, DIN41612 R MALE A+C LOADED 64 POS CDOT PART	
		DRAFT WHERE APPLICABLE MUST REMAIN WITHIN DIMENSIONS		CHECKED BY KPRASAD	DATE 2007/08/6	APPROVED BY KPRASAD	DATE 2007/08/6
		MATERIAL NO. ENTER PART	DOCUMENT NO. SD-36718-004	SHEET NO. 2 OF 00			