

PLEASE CHECK WWW.MOLEX.COM FOR LATEST PART INFORMATION

Part Number: **0304531000**
Status: **Active**
Description: 2.00mm (.079") Pitch Cable Holder, Vertical, for Ribbon Cable, with Polarization, 10 Circuits

Documents:

[3D Model](#) [Product Specification PS-30453-0000 \(PDF\)](#)
[Drawing \(PDF\)](#) [RoHS Certificate of Compliance \(PDF\)](#)

General

Product Family Ribbon Cable / Wire Trap Connectors
 Series [30453](#)
 Component Type One Piece
 Glow-Wire Compliant No
 Product Name Board-In, Cable Holder

Physical

Circuits (Loaded) 10
 Color - Resin Natural
 Entry Angle Vertical
 Lock to Mating Part None
 Material - Resin Polyester
 Number of Rows 1
 PCB Retention Yes
 PCB Thickness Recommended (in) 0.062 In
 PCB Thickness Recommended (mm) 1.60 mm
 Packaging Type Bag
 Pitch - Mating Interface (in) 0.079 In
 Pitch - Mating Interface (mm) 2.00 mm
 Polarized to Mating Part N/A
 Polarized to PCB Yes
 Stackable No
 Surface Mount Compatible (SMC) No
 Temperature Range - Operating -40°C to +85°C
 Wire Insulation Diameter 1.20mm (.047") max.
 Wire Size AWG 26
 Wire/Cable Type Ribbon Cable

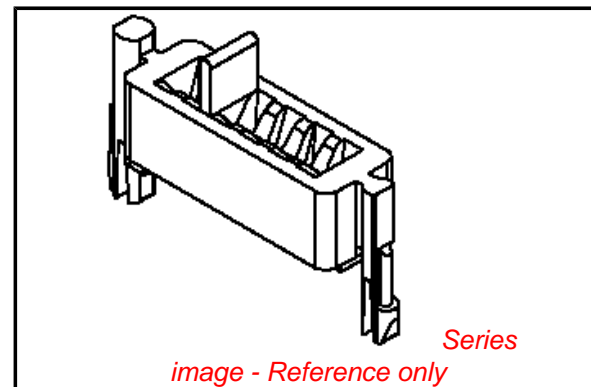
Electrical

Current - Maximum per Contact 2.25A
 Voltage - Maximum 250V

Material Info

Reference - Drawing Numbers

Product Specification PS-30453-0000
 Sales Drawing SD-30453-****



EU RoHS

**ELV and RoHS
 Compliant**
**REACH SVHC
 Contains SVHC: No**
**Halogen-Free
 Status**

China RoHS



Not Reviewed

**Need more information on product
 environmental compliance?**

Email productcompliance@molex.com
 For a multiple part number RoHS Certificate of
 Compliance, [click here](#)

Please visit the [Contact Us](#) section for any
 non-product compliance questions.

Search Parts in this Series

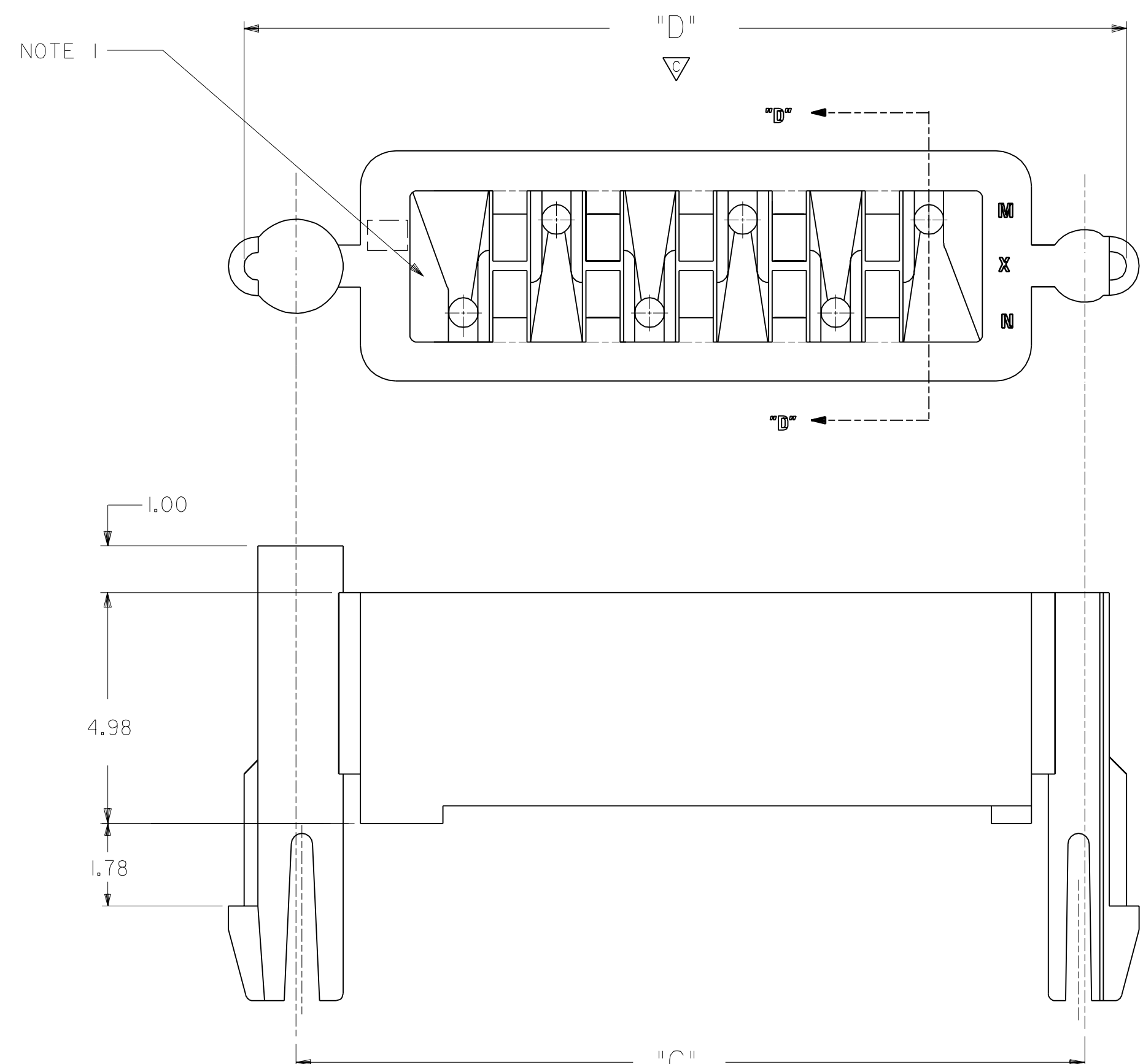
[30453Series](#)

Mates With

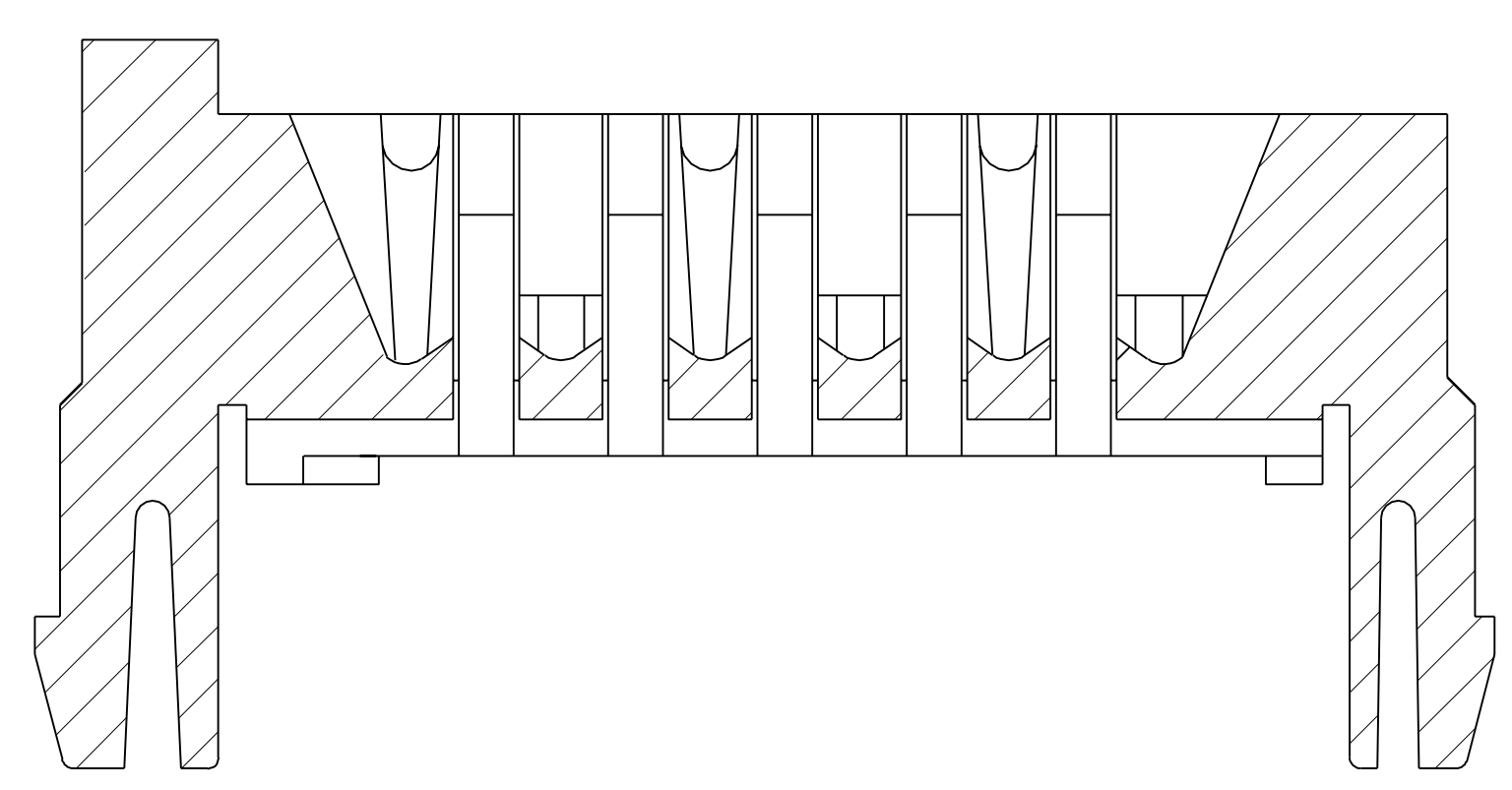
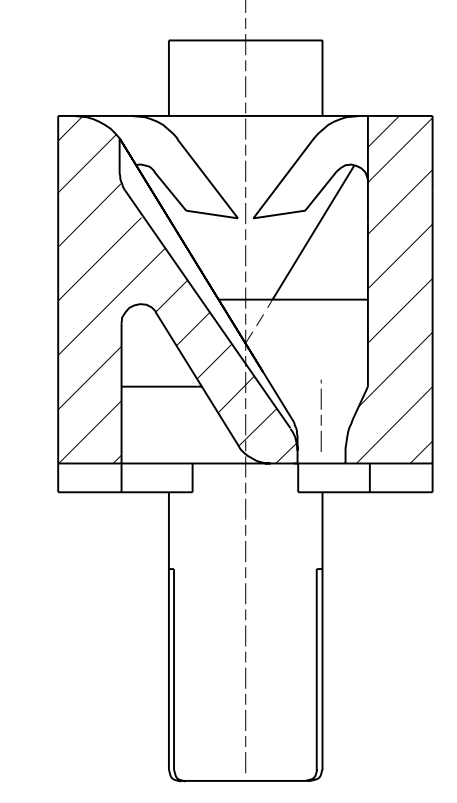
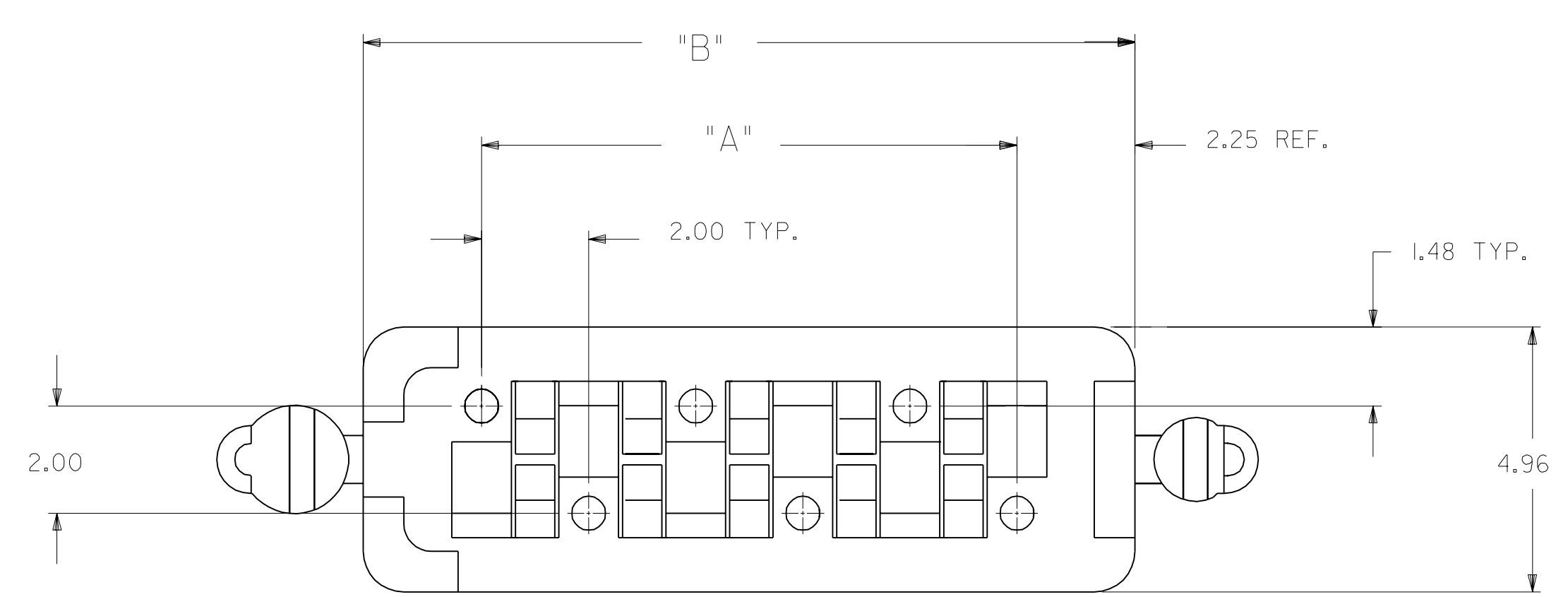
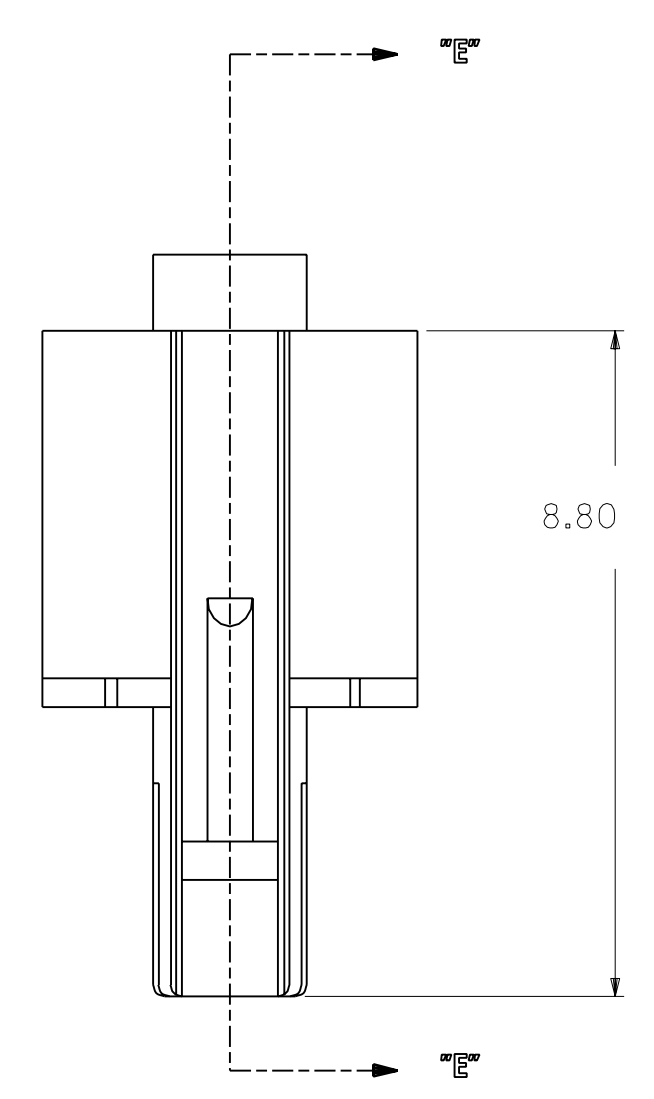
N/A

Use With

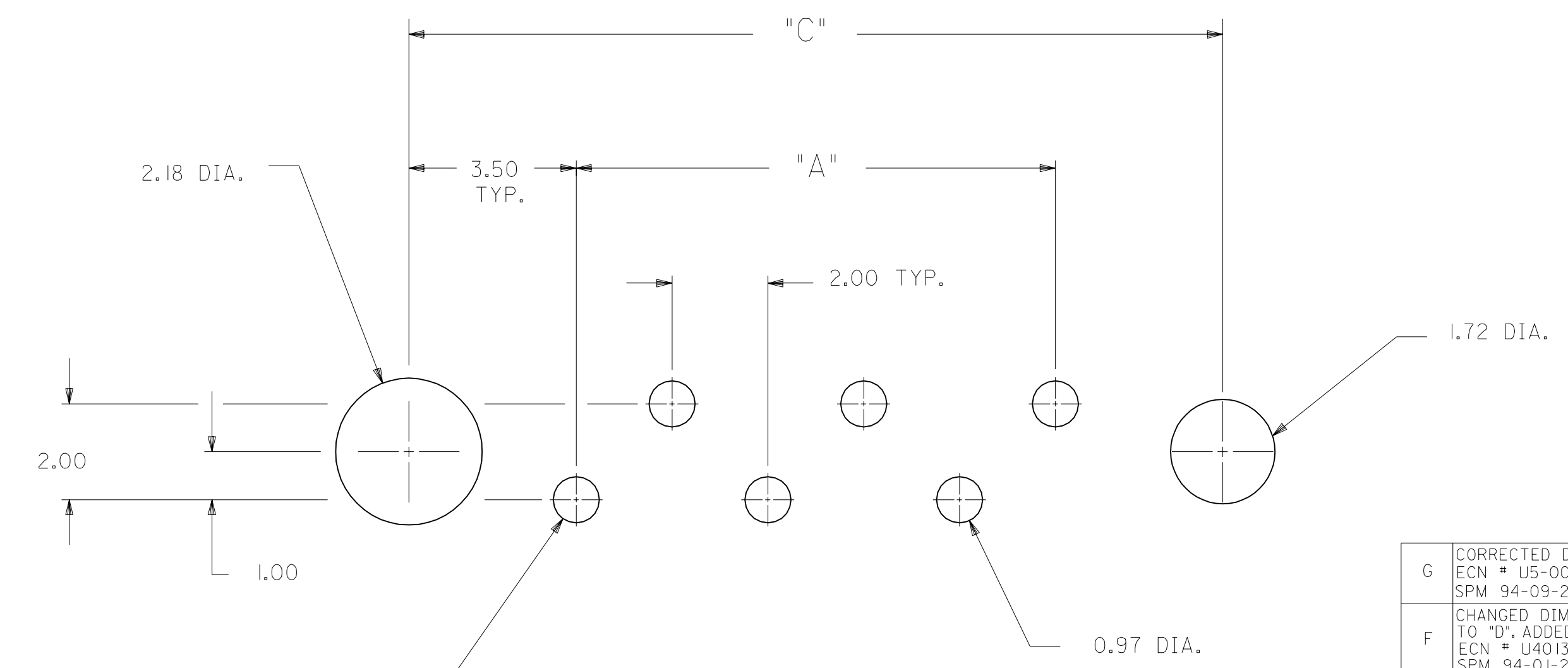
Topcoated or solid wire ribbon cable



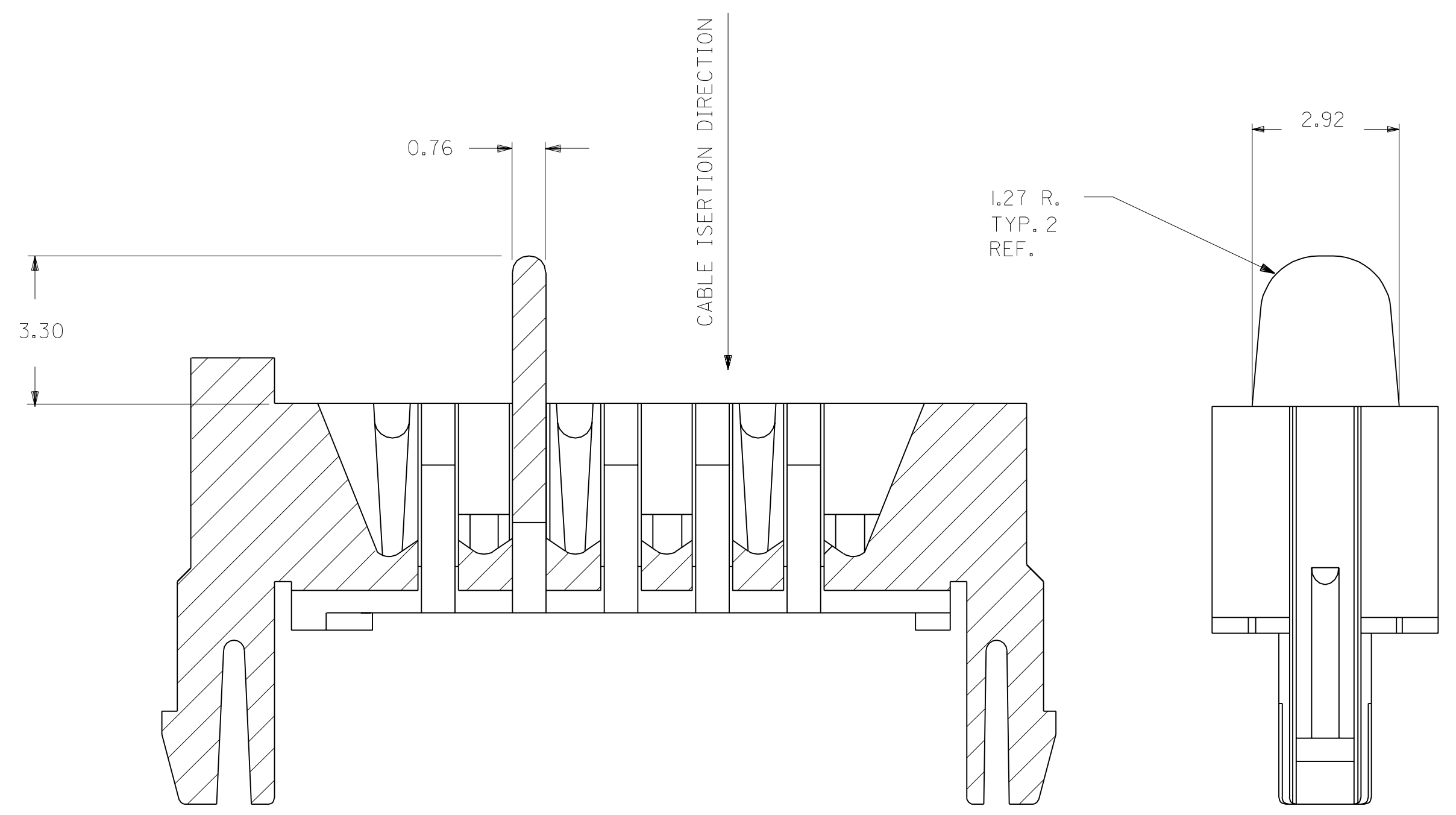
- NOTES:
1. FLASH ON HOLE PERIMETER TO BE .08 MAX.
 2. THE 'X' OR BLANK PRECEEDING THE ITEM NO. INDICATES IT'S NON-AVAILABILITY OR AVAILABILITY, RESPECTIVELY.
 3. PRODUCT SPECIFICATION 30452-0000 APPLIES.



MATERIAL: POLYESTER, VALOX 457 7.5% GLASS FILLED POLYESTER OR EQUIVALENT
 COLOR : WHITE



RECOMMENDED P.C. BOARD LAYOUT
 BOARD THICKNESS 1.57
 BOARD TOLERANCE ± .05



OPTIONAL POLARIZATION FEATURE-
 LOCATED BETWEEN CIRCUITS 2 & 3
 (SEE CHART SHT. 2)

G	CORRECTED DIM. 'D' ECN # U5-0007 SPM 94-09-23
F	CHANGED DIM. 'C'+2.14" TO 'D'. ADDED NOTE 3 ECN # U40133 SPM 94-01-28
E	ADDED CRITICAL DIM. CORRECTED PEG PICTORIALLY ECN # U31550 SPM 93-10-29
D	UPDATED PEG GEOMETRY ECO # U3-0827 SPM 93-05-28
C	CHANGED DIM. FROM: 2.30 TO: 3.30 ECO # U3-0647 SPM 93-04-27
B	DELETED 'C' ON PLAN VIEW DELETED 1.25 REF DELETED REF'S ECO # U3-0397 SPM 93-03-16
A	ECO NO. U21431 ADDED DIM. C + 2.14 MAX.; ADDED NOTE 2 COL. TO CHART; ITEM NO. WAS ENG. NO.; REV. DELCO P/N'S 8.2 REF. WAS 8.2 2.3 REF. WAS 2.3 1.0 REF. WAS 1.0 4.98 REF. WAS 4.98 1.78 REF. WAS 1.78 1.27 REF. WAS 1.27 2.92 REF. WAS 2.92 ADDED NOTE 2; REL TO PROD. DF 9/22/92
10	ADDED 1.00 HIGH POST DF 6/29/92
9	UPDATED DWG LEG 05-27-92
8	CHANGED MATERIAL AJP/LEG 2/24/92
7	REVISED BOARD LOCKS LEG 02-05-92
6	MAT'L WAS NYLON ADD OPTIONAL POLARIZATION FEATURE ECR. #U12164 R.J.G. 9/1/11/7
5	REV. LEAD-IN ON END CKTS. ECR. #U1862 R.J.G. 9/1/10
4	ADD MATERIAL NOTE REV. P.C.B HOLE SIZE AND BOARD LOCK SIZE ECR. #U1150 R.J.G. 9/1/6/26
3	ADD 1.25 REF. AND 2.25 REF. R.J.G. 9/1/4/10
2	REV. PEGS ECR. #U10729 R.J.G. 9/1/4/2
1	WAS 4MM HIGH R.J.G. 9/1/3/13

MFG. SH. REV. LTR. REVISIONS

▽=2 ▼=0 REVISE ONLY ON CAD SYSTEM

TITLE
 CABLE HOLDER (VERTICAL)
 2.00 PITCH

MOLEX INCORPORATED	SHEET NO.	DATE
U.S.A.	60532	1 OF 2 9/1/3/97

PART NO. SD-30453-***
 DRAWG. NO.

DRWG. BY: R.J.G. CHKD. BY: LEG
 APP'D. BY: SC SCALE: 10:1

FILE NAME: S30453.DWG
 THIS DRAWING CONTAINS INFORMATION THAT IS PROPRIETARY TO MOLEX INC. AND SHOULD NOT BE USED WITHOUT WRITTEN PERMISSION.

DRWG. NO. DIV. SIZE

NOTE 2	ITEM NO.	CKT. #	DIM. "A"	DIM. "B"	DIM. "C"	DIM. "D"	POLARIZATION	NO. OF CABLE RET. FINGERS
	304-53-0400	4	6.00	10.50	13.00	14.90	NOT AVAILABLE	3
X	304-53-0500	5	8.00	12.50	15.00	16.90	YES	4
	304-53-0600	6	10.00	14.50	17.00	18.90	YES	5
X	304-53-0700	7	12.00	16.50	19.00	20.90	YES	6
	304-53-0800	8	14.00	18.50	21.00	22.90	YES	7
	304-53-0900	9	16.00	20.50	23.00	24.90	YES	8
	304-53-1000	10	18.00	22.50	25.00	26.90	YES	9
	304-53-1100	11	20.00	24.50	27.00	28.90	YES	10
	304-53-1200	12	22.00	26.50	29.00	30.90	YES	10 5 AT EACH END
X	304-53-1300	13	24.00	28.50	31.00	32.90	YES	10 5 AT EACH END
X	304-53-1400	14	26.00	30.50	33.00	34.90	YES	10 5 AT EACH END
X	304-53-1500	15	28.00	32.50	35.00	36.90	YES	10 5 AT EACH END
X	304-53-1600	16	30.00	34.50	37.00	38.90	YES	10 5 AT EACH END
X	304-53-1700	17	32.00	36.50	39.00	40.90	YES	10 5 AT EACH END
X	304-53-1800	18	34.00	38.50	41.00	42.90	YES	10 5 AT EACH END
	304-53-1900	19	36.00	40.50	43.00	44.90	YES	10 5 AT EACH END
X	304-53-2000	20	38.00	42.50	45.00	46.90	YES	10 5 AT EACH END
X	304-53-2100	21	40.00	44.50	47.00	48.90	YES	10 5 AT EACH END

G	SEE SHEET I
F	SEE SHEET I
E	SEE SHEET I
D	SEE SHEET I
C	SEE SHEET I
B	SEE SHEET I
A	SEE SHEET I
10	SEE SHEET I
9	SEE SHEET I
8	SEE SHEET I

DIMENSIONS SHOWN (METRIC) INCH		▽ = 0	▼ = 0	REVISE ONLY ON CAD SYSTEM
UNLESS OTHERWISE SPECIFIED TOLERANCES: ANGULAR ± 1/2°		TITLE		
CABLE HOLDER 2.00 PITCH		MFG. SH. REV. LTR. REVISIONS		
INCH METRIC		MOLEX INCORPORATED SHEET NO. DATE		
3 PLACE ± .005 ---	---	U.S.A. 2 9/11/7		
2 PLACE ± .01 ± 0.13	---	PART NO. 60532		
1 PLACE --- ± 0.25	---	DRAWG. NO. SD-30453-****		
DRAFT WHERE APPLICABLE MUST REMAIN WITHIN DIMENSIONS		SEE CHART		
DRWG. BY RJG	CHK'D. BY LEG	FILE NAME	THIS DRAWING CONTAINS INFORMATION THAT IS PROPRIETARY TO MOLEX INC. AND SHOULD NOT BE USED WITHOUT WRITTEN PERMISSION	
APP'D. BY SC	SCALE 10:1	S30453X2	DIV. AU	SIZE D