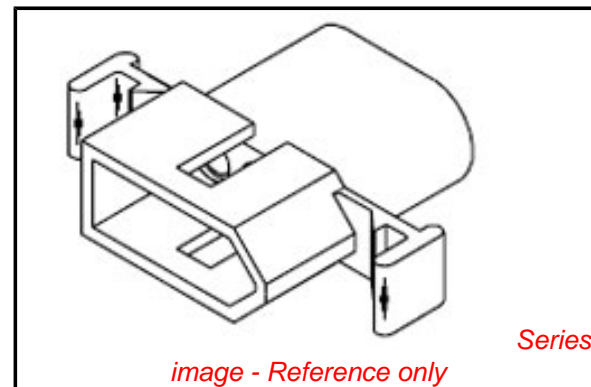


**PLEASE CHECK WWW.MOLEX.COM FOR LATEST PART INFORMATION**

**Part Number:** [0003092031](#)  
**Status:** **Active**  
**Overview:** [standard\\_093](#)  
**Description:** 2.36mm (.093") Diameter Standard .093 Pin and Socket Plug Housing, 3 Circuits, Single Row

**Documents:**

<a href="#">3D Model</a>	<a href="#">Product Specification PS-1396-002 (PDF)</a>
<a href="#">Packaging Specification (PDF)</a>	<a href="#">Product Specification PS-42477 (PDF)</a>
<a href="#">Drawing (PDF)</a>	<a href="#">Product Specification PS-43660-9999 (PDF)</a>
<a href="#">Product Specification PS-02-09 (PDF)</a>	<a href="#">RoHS Certificate of Compliance (PDF)</a>



**Agency Certification**

CSA	LR19980
UL	E29179

**General**

Product Family	Crimp Housings
Series	<a href="#">1396</a>
Comments	17.0A max. can be achieved when housing is used with 42477 or 42478 terminals
MolexKits	Yes
Overview	<a href="#">standard_093</a>
Product Name	Standard .093"

**Physical**

Circuits (maximum)	3
Flammability	94V-2
Gender	Dual
Glow-Wire Compliant	No
Lock to Mating Part	Yes
Number of Rows	1
Packaging Type	Bag
Panel Mount	Yes
Pitch - Mating Interface (in)	0.198 In
Pitch - Mating Interface (mm)	5.03 mm
Stackable	No
Temperature Range - Operating	-40°C to +105°C

**Electrical**

Current - Maximum per Contact	14A
-------------------------------	-----

**Material Info**

Old Part Number	1396-P
-----------------	--------

**Reference - Drawing Numbers**

Packaging Specification	PK-1396-001
Product Specification	PS-02-09, PS-1396-002, PS-42477, PS-43660-9999
Sales Drawing	SD-1396-*, SD-1396-002

**EU RoHS**

**ELV and RoHS Compliant**  
**REACH SVHC**  
**Contains SVHC: No**  
**Halogen-Free Status**

**China RoHS**



**Need more information on product environmental compliance?**

Email [productcompliance@molex.com](mailto:productcompliance@molex.com)  
 For a multiple part number RoHS Certificate of Compliance, [click here](#)

Please visit the [Contact Us](#) section for any non-product compliance questions.

**Search Parts in this Series**

[1396Series](#)

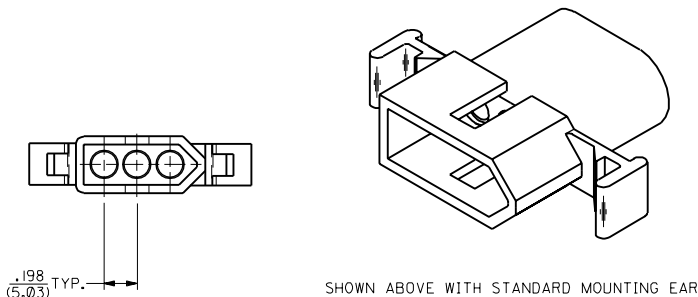
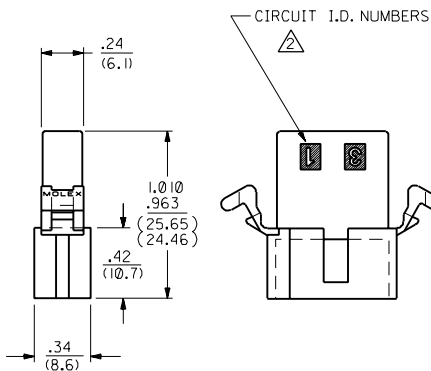
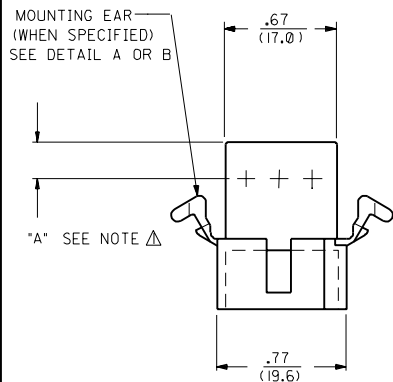
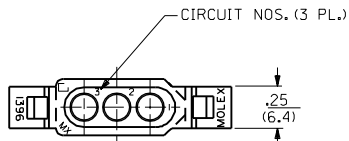
**Mates With**

[1396r](#)

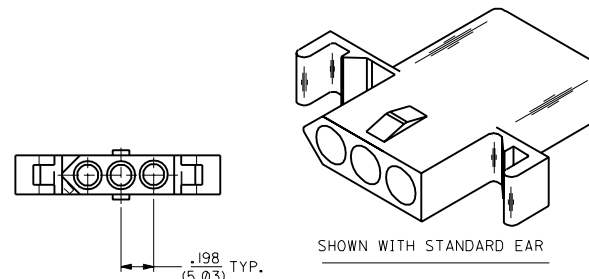
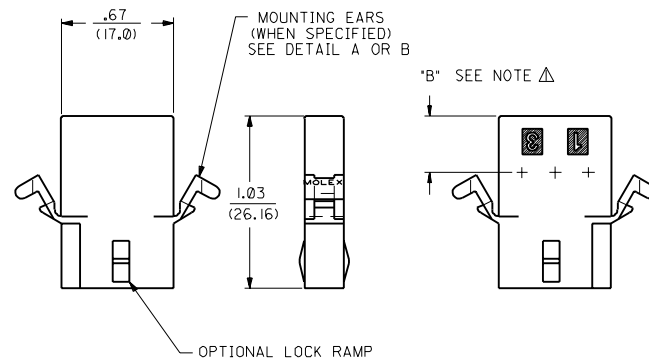
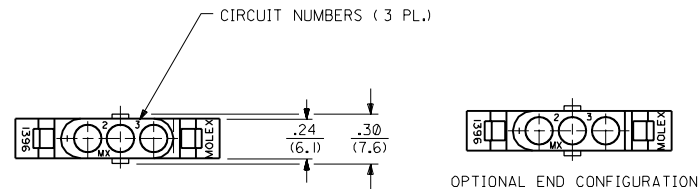
**Use With**

[1189](#) Crimp Terminals, [1190](#) Crimp Terminals, [1376](#) Male PC Tail Terminals, [1377](#) Female PC Tail Terminals, [1380](#) Male Crimp Terminals, [1381](#) Female Crimp Terminals, [1433](#) Crimp Terminals, [1434](#) Male Crimp Terminals, [1973](#) , [2151](#) , [2273](#) , [2870](#) , [2871](#) , [4272](#) , [4550](#) , [6271](#) , [6310](#) , [42477](#) , [42478](#)

# PLUG



# RECEPTACLE



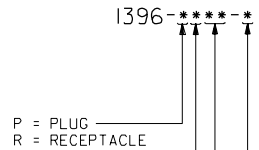
NOTES:  
 Δ DIMENSION FROM THE BACK OF HOUSING TO THE END OF THE BRUSH ON THE WIRE INSERTED INTO THE HOUSING  
 DIM "A" = .256/6.50 FOR 42477 & 42478 TERMINALS  
 .216/5.49 FOR ALL OTHER .093 TERMINALS  
 DIM "B" = .377/9.58 FOR 42477 & 42478 TERMINALS  
 .337/8.56 FOR ALL OTHER .093 TERMINALS

Y3	REVISED PER UCR2000-0583 3/1/00 DDS
Y2	REMOVE -R3, -R5 VER. PER ECN #16 1479 6-10-96 RW
Y1	X-REMOVE 1396-R4 ECR U3 1583 GC 10/26/93 RW
Y	ADD CKT. I.D. #'S PER ECR U3 0683 GC 5/4/93 RW
X	REV MAT'L SPECS. ECR U2-1491 10-08-92 A.GUZIK
W1	ADD -D VERSIONS. ECR U1 1106 GC 7/25/91 RW
W	REVISE ON CAD ECR #UB 1381 JJS 4-24-88 RW
2	Y2
1	Y3

DIMENSIONS SHOWN (METRIC) INCH		▽ = 0	▼ = 0	REVISE ONLY ON CAD SYSTEM
UNLESS OTHERWISE SPECIFIED TOLERANCES ANGULAR ± 1/2°		TITLE		
INCH METRIC		.093/(2.36) HOUSING, PLUG & RECEPTACLE		
3 PLACE ± .010	---	3 CIRCUIT, 198/(5.03) C		
2 PLACE ± .014	± 0.25	MOLEX INCORPORATED SHEET NO. DATE		
1 PLACE --- ± 0.36	---	L15LEJLL 60532 U.S.A. 1 of 2 4 / 3 / 88		
DRAFT WHERE APPLICABLE MUST REMAIN WITHIN DIMENSIONS		PART NO. DRWG. NO.		
DRWG. BY JJS		SEE SHEET 2		
CHKD. BY RW		SD-1396-•		
APP'D. RAS		FILE NAME S1396,3X1		
SCALE 2 : 1		DIV. SIZE		
		THIS DRAWING CONTAINS INFORMATION THAT IS PROPRIETARY TO MOLEX INC. AND SHOULD NOT BE USED WITHOUT WRITTEN PERMISSION. CP C		

PLUG		RECEPTACLE	
ORDER NO.	ENG. NO.	ORDER NO.	ENG. NO.
03-09-2031	I396-P	03-09-1031	I396-R
03-09-2032	I396-P1	03-09-1032	I396-R1
03-09-7032	I396-P1BK	03-09-1033	I396-R2
03-09-7031	I396-PBK	03-09-6033	I396-R2BK
PRELIMINARY	I396-P-B	03-09-6032	I396-R1BK
		03-09-6031	I396-RBK
		PRELIMINARY	I396-R-B
		PRELIMINARY	I396-R1-B
		03-09-1081	I396-R4

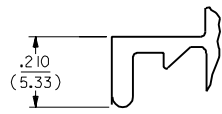
**LEGEND:**



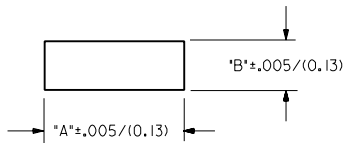
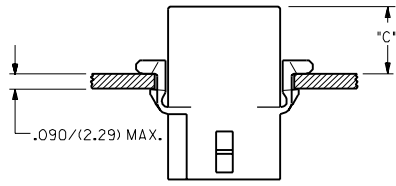
- BLANK = WITH STANDARD EARS  
 1 = WITHOUT EARS  
 2 = RECEPTACLE WITHOUT EARS, WITHOUT LOCK RAMP  
 3 = PLUG ONLY, W/ SIDE MOUNT (SEE SD-I396-P3)  
 4 = WITH PREBENT EARS

COLOR: BLANK=NATURAL COLOR  
 AM=AMBER BK=BLACK BU=BLUE  
 BN=BROWN GY=GRAY GN=GREEN  
 OR=ORANGE RD=RED YW=YELLOW

BLANK = NYLON 6/6, 94V-2  
 B = NYLON TYPE 6/6, 94V-2, UV STABILIZED



**DETAIL A**  
 STANDARD MOUNTING EAR  
 (SCALE 4:1)

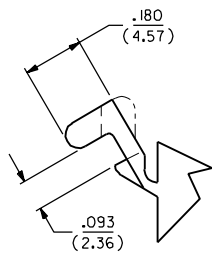
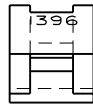


RECOMMENDED PANEL MOUNTING HOLE

HOUSING	DIM. *A*	DIM. *B*	*C* PREBENT EAR	*C* STANDARD EAR
PLUG	.933/(23.70)	.375/(9.53)	.40/(10.2)	.38/(9.7)
RECEPT.	.830/(21.08)	.312/(7.92)	.41/(10.4)	.39/(9.9)

**NOTES:**

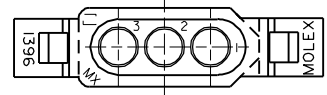
- 1. MOLEX PRODUCT SPEC Q2-09 APPLIES.
- 2. CIRCUIT I.D. NUMBERS ON SIDE OF HOUSING APPEAR ON PARTS FROM TOOLS BUILT AFTER 5/4/93.



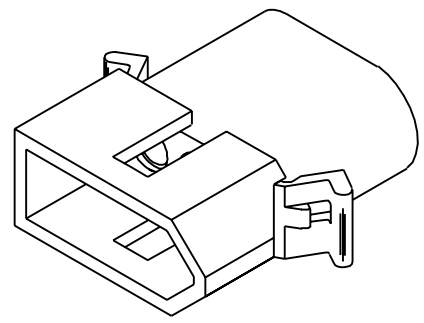
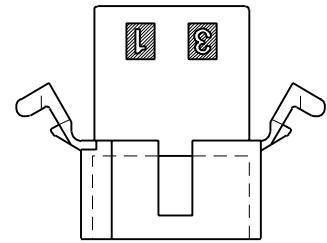
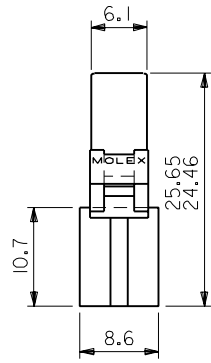
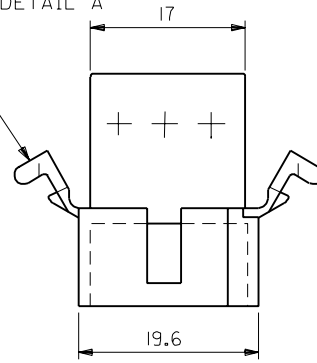
**DETAIL B**  
 PREBENT MOUNTING EAR  
 (SCALE 4:1)

DIMENSIONS SHOWN METRIC (INCH)		UNLESS OTHERWISE SPECIFIED TOLERANCES: ANGULAR ± 1/2°		REVISIONS ONLY ON CAD SYSTEM	
3 PLACE	± .010	INCH	METRIC	TITLE	.093/(2.36) HOUSINGS PLUG & RECEPTACLE 3 CIRCUIT (1987(5.03)C
2 PLACE	± .014	---	± 0.25	MOLEX INCORPORATED	SHEET NO. 2 DATE 4/8/88
1 PLACE	---	---	± 0.35	L15LEJLL 60532 U.S.A.	DRWG. NO. SD-1396-*
DRAFT WHERE APPLICABLE MUST REMAIN WITHIN DIMENSIONS		FILE NAME	S1396.3X2.DWG	THIS DRAWING CONTAINS INFORMATION THAT IS PROPRIETARY TO MOLEX INC. AND SHOULD NOT BE USED WITHOUT WRITTEN PERMISSION.	
DRW: JJS	CHKD: RW	APP'D: RAS	SCALE: :	DIV: CP	SIZE: C

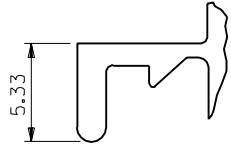
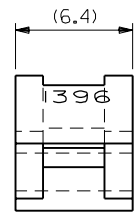
LTR.	REVISIONS	LTR.	REVISIONS
	Y2		SEE SHEET I
	Y1		SEE SHEET I
	Y		SEE SHEET I
	X		SEE SHEET I
	W1		SEE SHEET I
	W		SEE SHEET I



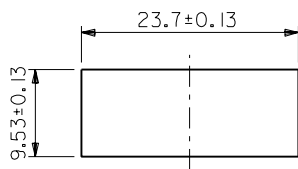
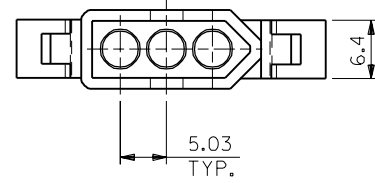
MT'G EARS (表参照)  
参照 DETAIL A



PLUG



DETAIL A  
(SCALE 4:1)



パネル取付寸法  
(パネル厚 2.29最大)

I396PI	03-09-2032	無	WITHOUT
I396P	03-09-2031	有	WITH
ENG. NO.	EDP NO.		MT'G EARS

DO NOT SCALE DRAWING

EC NO. DRWN: CHK: APPR:	EC NO. DRWN: CHK: APPR:	EC NO. DRWN: CHK: APPR:	EC NO. DRWN: CHK: APPR:
RELEASED			
EC NO. JC2001-0078			
DRWN: K.KOHAMA 00/08/28			
CHK: T.YAMAGUCHI			
APPR: M.FUKUSHIMA			

MATERIAL 材料	NYLON66 94V-2		
FINISH 仕上り	X		
WIRE RANGE 適用線径範囲	X		
INS. RANGE 適用径	X		

GENERAL TOLERANCES: (UNLESS SPECIFIED) 一般公差		SCALE 2 : 1	DESIGN UNITS <input checked="" type="checkbox"/> mm <input type="checkbox"/> INCH
10 UNDER 未満	+0.25 ±0.2	DRAWN BY & DATE K.KOHAMA 00/08/28	
10 OVER 以上	+0.3 ±0.25	CHECKED BY & DATE T.YAMAGUCHI 00/08/28	
30 OVER 以上	+0.35 ±0.3	APPROVED BY & DATE M.FUKUSHIMA 00/08/28	
ANGLE 角度	+3°	CAD FILENAME I396002.S01	MATERIAL NO. SEE NOTES

MODEL NO.	03-09-2***		DIMENSIONS:	SHT	REV
	<input checked="" type="checkbox"/> mm	<input type="checkbox"/> INCH	<input type="checkbox"/> mm ONLY		
THIRD ANGLE PROJECTION			REVISE ON CAD ONLY		
TITLE: 3 CIRCUITS PLUG HSG (0.093 DIA TERMINAL)					
MOLEX INCORPORATED					
DRAWING NO. SD-1396-002		SHEET NO. 1 OF 1		SIZE B	

THIS DRAWING CONTAINS INFORMATION THAT IS PROPRIETARY TO MOLEX INCORPORATED AND SHOULD NOT BE USED WITHOUT WRITTEN PERMISSION.