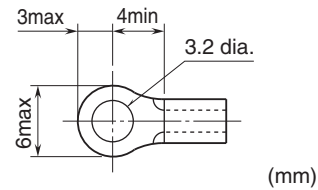
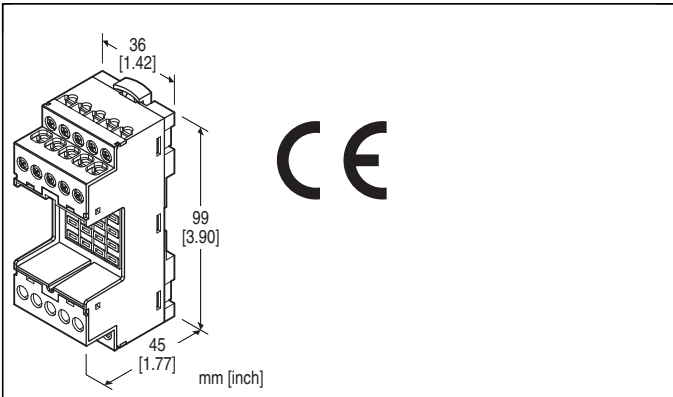


Plug-in Remote I/O R10 Series

■ Recommended solderless terminal size - M3 (unit: mm)

INSTALLATION BASE



MODEL: R10-BS1[1]

ORDERING INFORMATION

- Code number: R10-BS1[1]
- Specify a code from below for [1].
(e.g. R10-BS1/Q)
- Specify the specification for option code /Q
(e.g. /C01)

BASE TYPE

1: For R10M series

[1] OPTIONS

blank: none

/Q: With options (specify the specification)

SPECIFICATIONS OF OPTION: Q

COATING (For the detail, refer to M-System's web site.)

/C01: Silicone coating

/C02: Polyurethane coating

/C03: Rubber coating

RELATED PRODUCTS

- Remote I/O R10 series

GENERAL SPECIFICATIONS

Construction: Plug-in

Connection: M2.6 screw terminals (torque 0.5 N·m)

- Connected to I/O module with connector

Screw terminal: Nickel-plated steel

Housing material: Flame-resistant resin (black)

INSTALLATION

Power input: Refer to the I/O module

Operating temperature: -10 to +55°C (14 to 131°F)

Storage temperature: -10 to +55°C (14 to +131°F)

Operating humidity: 10 to 90 %RH (non-condensing)

Atmosphere: No corrosive gas or heavy dust

Mounting: Surface or DIN rail (35 mm rail)

Weight (when the I/O module is not mounted): 105 g (0.23 lb)

PERFORMANCE

Insulation resistance: $\geq 100 \text{ M}\Omega$ with 500 V DC

(I/O to power to communication to FE1)

Dielectric Strength: 1500 V AC @ 1 minute

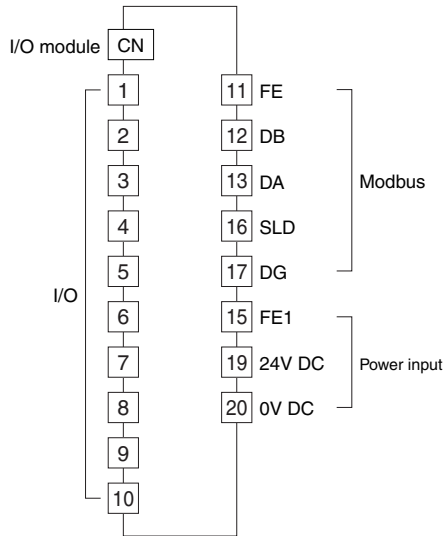
(I/O to power to communication to FE1)

STANDARDS & APPROVALS

Conforming to related products

RoHS Directive

CONNECTION DIAGRAM



TERMINAL ASSIGNMENTS

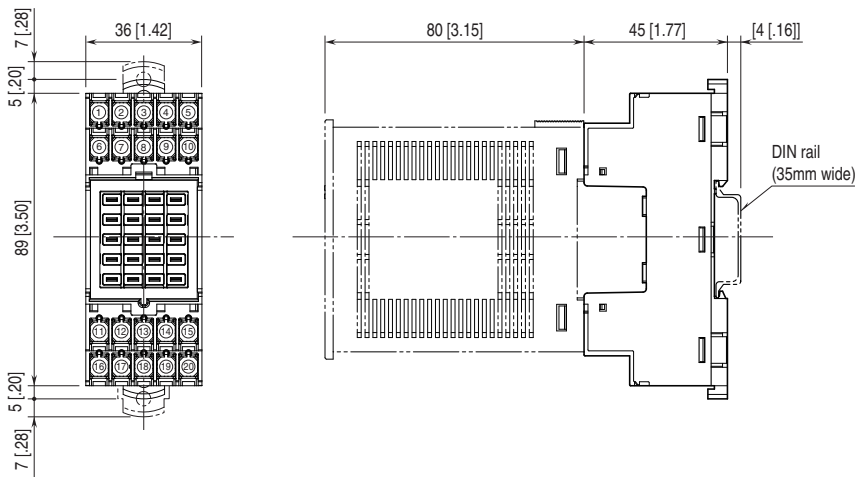
1 IO1	2 IO2	3 IO3	4 IO4	5 IO5
6 IO6	7 IO7	8 IO8	9 IO9	10 IO10
11 FE	12 DB	13 DA	14 NC	15 FE1
16 SLD	17 DG	18 NC	19 24V	20 0V

PIN NO.	ID	FUNCTION	PIN NO.	ID	FUNCTION
1	IO1	I/O Terminal 1	11	FE	Modbus ground
2	IO2	I/O Terminal 2	12	DB	DB
3	IO3	I/O Terminal 3	13	DA	DA
4	IO4	I/O Terminal 4	14	NC	Unused
5	IO5	I/O Terminal 5	15	FE1	Power ground
6	IO6	I/O Terminal 6	16	SLD	Shield
7	IO7	I/O Terminal 7	17	DG	DG
8	IO8	I/O Terminal 8	18	NC	Unused
9	IO9	I/O Terminal 9	19	24V	Power supply 24V DC
10	IO10	I/O Terminal 10	20	0V	Power supply 0V DC

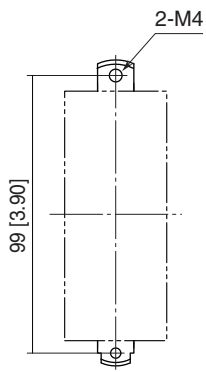
Refer to the uses manual of I/O unit for I/O Terminal 1 to 10.

* Base does not come with the unit. Please order separately.

EXTERNAL DIMENSIONS & TERMINAL ASSIGNMENTS unit: mm [inch]



MOUNTING REQUIREMENTS unit: mm [inch]



Specifications are subject to change without notice.