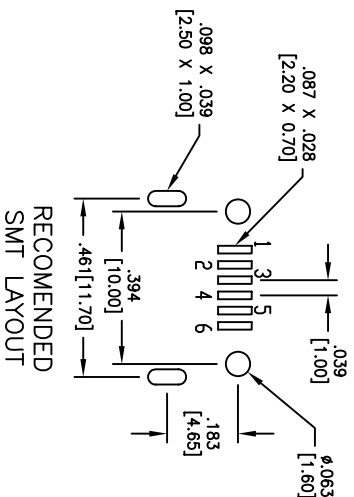
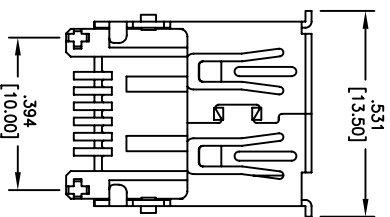
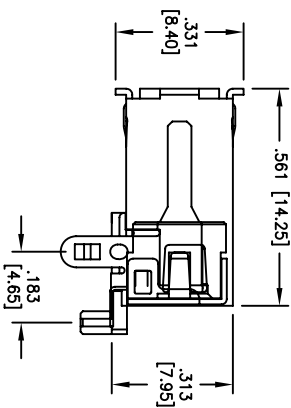
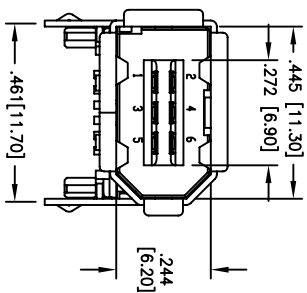


APPROVED: _____
 DATE: _____ TITLE: _____

Rev	AWO #	Description	Date	Appr
-		RELEASED	12/3/04	
A		REDRAWING	4/07/08	



RECOMMENDED
SMT LAYOUT

SPECIFICATIONS:
Material:
 Insulator: Hi-Temp Nylon PA9T, rated UL 94V-0
 Insulator color: Black
 Contacts: Phosphor Bronze
 Shell: Steel, nickel plated
Plating:
 Gold flash over Nickel underplate on contact area, Tin over Copper underplate on SMT tails
Electrical:
 Operating voltage: 250 VAC max.
 Current rating: 1 Amp max.
 Contact resistance: 30 mohms max.
 Insulation resistance: 100 Mohms min. @ 500 VDC
 Dielectric withstanding voltage: 250 VAC for 1 minute
Temperature Rating:
 Operating temperature: -55°C to +105°C
Environmental:
 Lead free, RoHS compliant.
 Recommended soldering temp: 260°C for 5 sec.

ENVIRONMENTAL:
 Operating temperature: -55°C to +105°C
 Recommended soldering temp: 260°C for 5 sec.



ADAM TECH

909 Rahway Avenue, Union, NJ 07083
 Phone: 908-687-5000 Fax: 908-687-5710

TITLE: FIREWIRE (IEEE 1394)
 SINGLE PORT, RIGHT ANGLE, SMT

UNLESS OTHERWISE SPECIFIED ALL DIMENSIONS ARE INCHES [MM]		TOLERANCES: EXCEPT AS NOTED		HOLDS	
X	± .10	ØX	± .10		
.XX	± .020	ØXX	± .015		
.XXX	± .015	ØXXX	± .010		
APPROVALS		DATE		TITLE	
DRAWN	SS	10/4/04		FIREWIRE (IEEE 1394) SINGLE PORT, RIGHT ANGLE, SMT	
CHECKED				SIZE PART NO. FWC-C-S-RA-SMT	
APPROVED				SCALE: NTS SHEET 1 OF 1	

A

B

C

D

6

5

4

3

2

1