

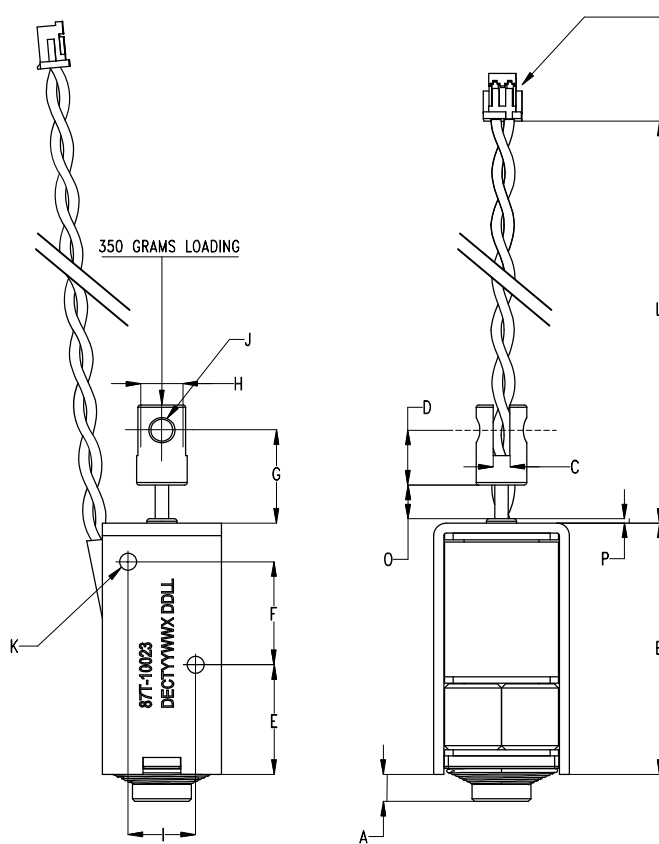
SOLENOID PRODUCT SPECIFICATION

PART No.	VOLTAGE	DUTY CYCLE	POWER (W)	CURRENT (A)	DCR (Ω) *
DSMS-0730-24	24 VDC	2%, 45msec On	35	1.5	16
DSMS-0730-18	18 VDC	2%, 45msec On	34	1.92	9.4
DSMS-0730-12	12 VDC	2%, 45msec On	32	2.67	4.5
DSMS-0730-09	9 VDC	2%, 45msec On	30	3.35	2.7
DSMS-0730-05	5 VDC	2%, 45msec On	30	5.9	0.85

* OPERATION: POWER TO PUSH AND RELEASE, BUILT-IN RETURN SPRING.

* DCR VALUES ARE ±10% AT 25°C
 * WEIGHT ARE 38 GRAMS ±10%

1. MECHANICAL DIMENSIONS :



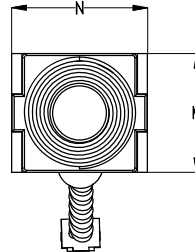
Connector : J.S.T
 HOUSING : ZHR-2
 CONTACT PIN : SZH-002T-P0.5
 CABLE : AWG 28 UL 1007

UNIT : mm.

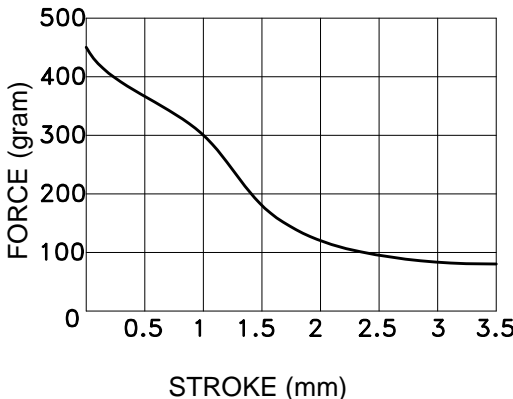
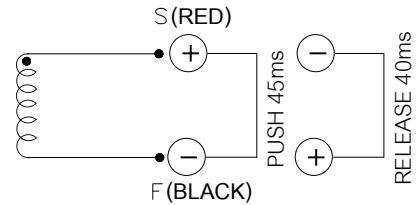
- A = 3.40 ± 0.2
 - B = 30.00 ± 0.25
 - C = 2.00 ± 0.1
 - D = 6.50 ± 0.1
 - E = 13.20 ± 0.2
 - F = 12.20 ± 0.2
 - G = 10.5 ± 0.1
 - H = ø6.0 ± 0.1
 - I = 8.00 ± 0.1
 - J = ø2.6 ± 0.1
 - K = 4-M2.6x0.45
 - L = 180 MIN.
 - M = 14.00 ± 0.2
 - N = 16.00 ± 0.2
 - O = 3.50 ± 0.1
 - P = 0.50 ± 0.1
- UNLESS TOLERANCES.

- X.X = ±0.2
- X.XX = ±0.1
- ANGLES = ±1°

EXTENT POSITION.



2. SCHEMATIC AND CONSTRUCTION :



TEST CONDITION	FORCE TEST
0 Vdc.	450 GRAMS MIN. (MAGNET HOLDING WITHOUT SPRING)
NOMINAL VOLTAGE @25°C, 45±10ms PULSE WIDTH.	350 GRAMS MIN. (PLUNGER PULL-IN FORCE)
NOMINAL VOLTAGE @25°C, 40±5ms PULSE WIDTH.	350 GRAMS LOADING (DURING PLUNGER RELEASE)

* NOMINAL OPERATION DUTY CYCLE: POWER ON 40ms / OFF 2 SEC

INSULATION MATERIALS: UL CONSTRUCTION, CLASS B 130°C
 LIFE EXPECTANCY: 100K CYCLES OPERATIONS

LAYER TEST	IR. @500 Vdc.	HI-POT
(S-F) 500Vp. MIN.	COIL TO FRAME	@50/60Hz.,2mA
TEST ONLY COIL	50 MOHM MIN.	COIL TO FRAME
		1200Vac.,1s