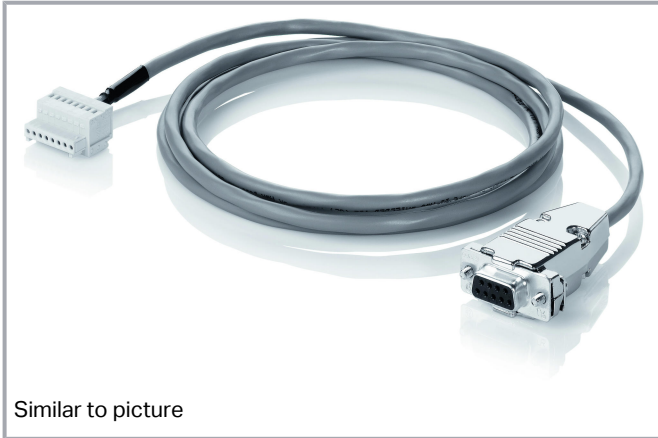


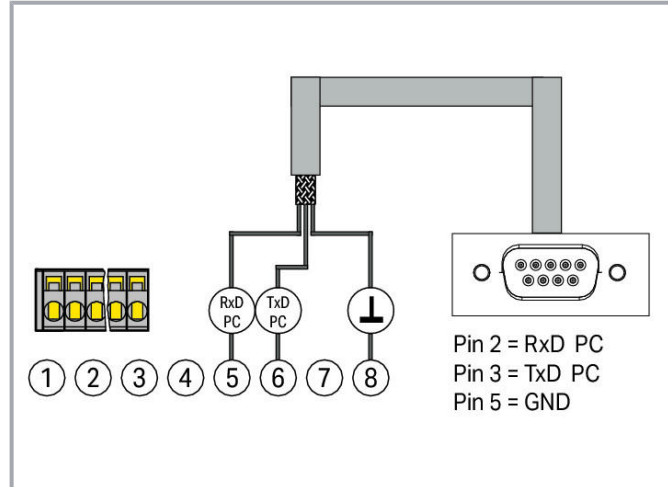
## Data sheet | Item number: 787-890

RS-232 communication cable; Length 1.8 m

[www.wago.com/787-890](http://www.wago.com/787-890)



Similar to picture



### Item description

These communication cables are used for configuration and visualization via PC or controller.

They are suitable for all 787-8xx Series devices equipped with an RS-232 serial interface.

Download the corresponding PC software for all 787 Series devices at [www.wago.com](http://www.wago.com)

Function blocks for communication with the WAGO I/O System 750 and other control systems are also available.

### Data

#### Notes

Note

The communication cable is not electrically isolated.

### Technical data

Protection type	IP20 (per EN 60529)
Signaling	1 x RS-232 cable
Communication	RS-232 serial interface

Subject to changes. Please also observe the further product documentation!

WAGO Kontakttechnik GmbH & Co. KG  
Hansastr. 27  
32423 Minden  
Phone: +49571 887-0 | Fax: +49571 887-169  
Email: [info.de@wago.com](mailto:info.de@wago.com) | Web: [www.wago.com](http://www.wago.com)

Do you have any questions about our products?  
We are always happy to take your call at +49 (571) 887-44222.

## Connection data

Connection type (1)	Module side (787-8xx)
Connection technology	1 x 8-pole female connector (733-108) with strain relief
Connection type 2	PC/controller side
Connection technology 2	1 x 9 pole D-sub socket
Cable type	3 x 0.34 mm <sup>2</sup> ; shielded

## Physical data

Cable length	1.8m
--------------	------

## Material data

Weight	113 g
--------	-------

## Environmental requirements

Surrounding air temperature (operation)	-10 ... 70 °C
---	---------------

## Commercial data

Product Group	6 (Interface Electronics)
PU (SPU)	1 Stück
Packaging type	box
Country of origin	DE
GTIN	4045454909741
Customs tariff number	85444290900

## Optional accessories

### Cables and pluggable connectors

Connection cable	
------------------	--



Item no.: 761-9005  
USB adapter; with 1m connection cable

[www.wago.com/761-9005](http://www.wago.com/761-9005)

## Downloads

### Documentation

#### Bid Text

Subject to changes. Please also observe the further product documentation!

WAGO Kontakttechnik GmbH & Co. KG  
Hansastr. 27  
32423 Minden  
Phone: +49571 887-0 | Fax: +49571 887-169  
Email: [info.de@wago.com](mailto:info.de@wago.com) | Web: [www.wago.com](http://www.wago.com)

Do you have any questions about our products?  
We are always happy to take your call at +49 (571) 887-44222.



787-890 docx - Datei	2015. 1. 20.	docx 15.9 kB	Download
787-890 X81 - Datei	2019. 12. 6.	xml 3.8 kB	Download
787-890 pdf - Datei	2015. 1. 20.	pdf 68.9 kB	Download
787-890 doc - Datei	2015. 1. 20.	doc 25.6 kB	Download
<b>Additional Information</b>			
Disposal; Electrical and electronic equipment, Packaging	V 1.0.0	pdf 265.8 kB	Download

## CAD/CAE-Data

### CAE data

WSCAD Universe 787-890		URL	Download
------------------------	--	-----	----------

## Environmental Product Compliance

### Compliance Search

Environmental Product Compliance 787-890 RS-232 communication cable; Length 1.8 m		URL	Download
--	--	-----	----------

## Installation Notes

Subject to changes. Please also observe the further product documentation!