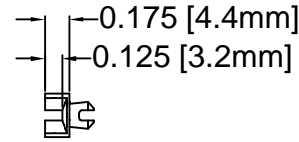
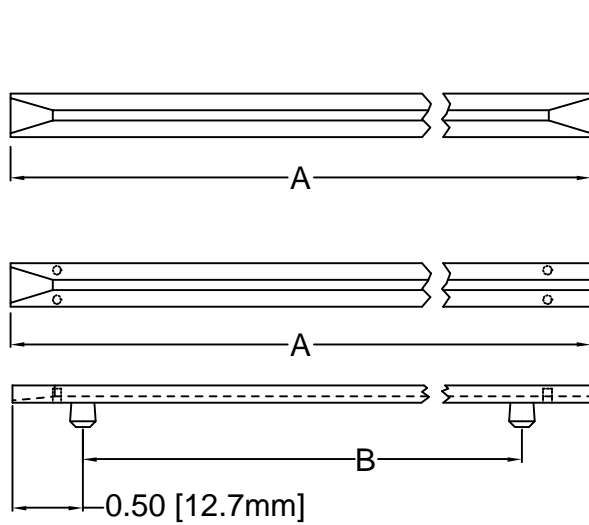
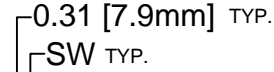


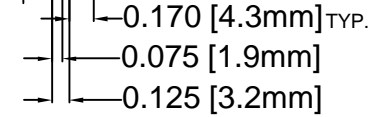
REV.	DESCRIPTION	DATE	APPROVED
F	Engineering Update w/o Changes	03/01/04	M. C.



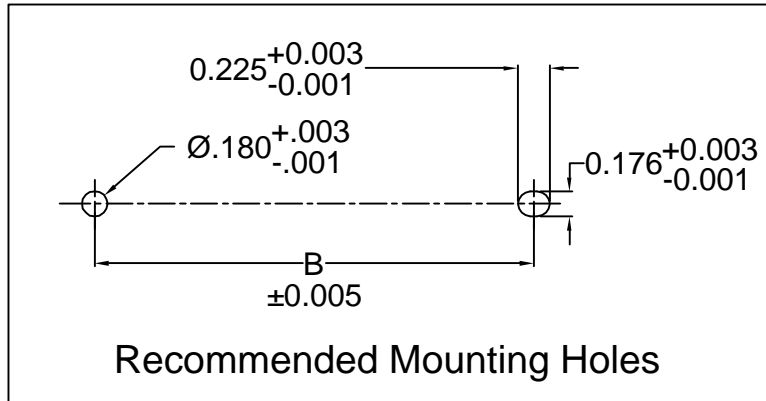
SDC SERIES



SSD SERIES



PART NO.			A ±.032 (.8)	B ±.016 (.4)
SDC-250	SSD-250	SSD-250-102	2.5 (63.5)	1.5 (38.1)
SDC-300	SSD-300	SSD-300-102	3.0 (76.2)	2.0 (50.8)
SDC-350	SSD-350	SSD-350-102	3.5 (88.9)	2.5 (63.5)
SDC-400	SSD-400	SSD-400-102	4.0 (101.6)	3.0 (76.2)
N/A	SSD-450 3X	N/A	4.5 (114.3)	3.0 (76.2)
SDC-450	SSD-450	SSD-450-102	4.5 (114.3)	3.5 (88.9)
SDC-500	SSD-500	SSD-500-102	5.0 (127.0)	4.0 (101.6)
SDC-550	SSD-550	SSD-550-102	5.5 (139.7)	4.5 (114.3)
SDC-600	SSD-600	SSD-600-102	6.0 (152.4)	5.0 (127.0)
SDC-650	SSD-650	SSD-650-102	6.5 (165.1)	5.5 (139.7)
SDC-700	SSD-700	SSD-700-102	7.0 (177.8)	6.0 (152.4)
SDC-750	SSD-750	SSD-750-102	7.5 (190.5)	6.5 (165.1)
SDC-800	SSD-800	SSD-800-102	8.0 (203.2)	7.0 (177.8)
SW=0.075 (1.9)		SW=0.102 (2.6)		



2. MATERIAL: NYLON 6/6, 94V-2, NATURAL. BIVAR MATERIAL CODE 03-NL.
BASF ULTRAMID NYLON 6/6 A3K NATURAL.
1. GENERAL SPECIFICATIONS: BIVAR MOLDED COMPONENT SPECIFICATION BV00-E101.

STANDARD TOLERANCE (UNLESS OTHERWISE SPECIFIED)	
DECIMALS	ANGULAR
.X ±.1	X° ±1°
.XX ±.01	
.XXX ±.005	

BIVAR[®]

4 THOMAS, IRVINE, CA. 92618
TEL: (949) 951-8808 FAX: (949) 951-3974



TITLE:
INTERCHANGEABLE SNAP-IN CARD GUIDE

DESIGNED:
David Green

DATE:
11/26/02

PART NO: SDC-XXX
SSD-XXX-XXX

REVISION:
F

CHECKED:
M. Chen

DATE:
11/26/02

CAGE CODE : 32559 **SHEET #** 1 **OF** 1

CAD GENERATED DOCUMENT, DO NOT MEASURE DRAWING.