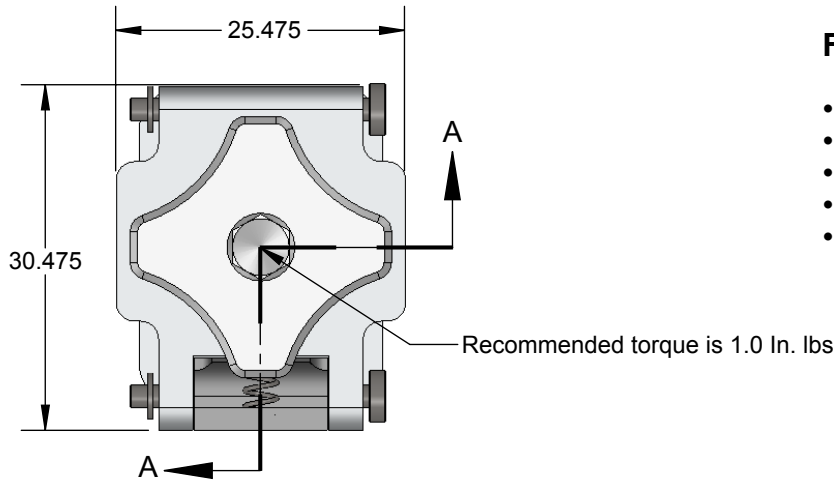


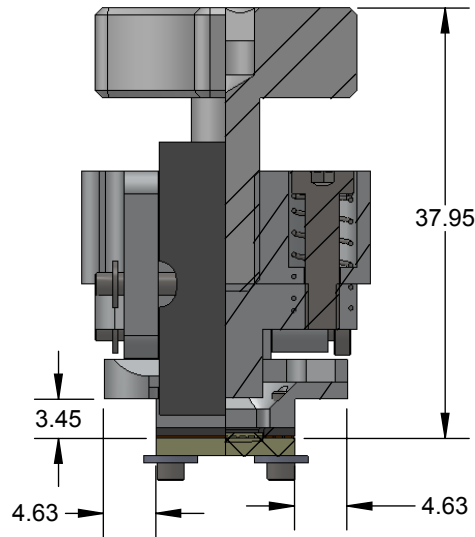
Silver Button (GT) interconnect, Clamshell Lid socket - Direct mount, solderless



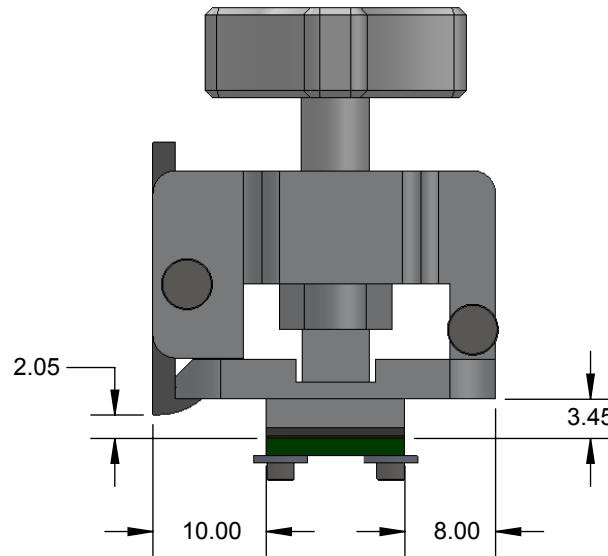
TOP VIEW

Features

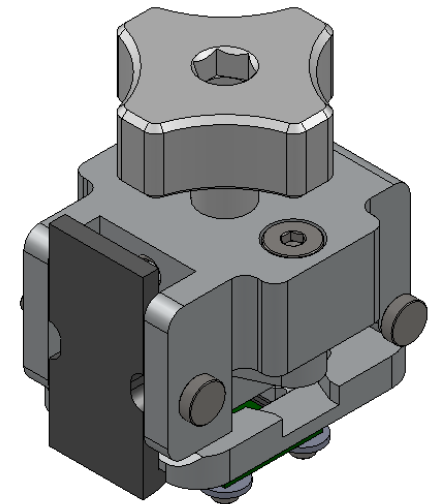
- Wide temperature range (-55C to +160C)
- Over 75GHz bandwidth @-1dB
- Low and stable contact resistance (< 50mOhms)
- Minimum real estate required
- Clamshell lid design



SECTION A-A




SIDE VIEW



Description: GT Clam shell socket for 6x6mm 0.4mm pitch QFN48

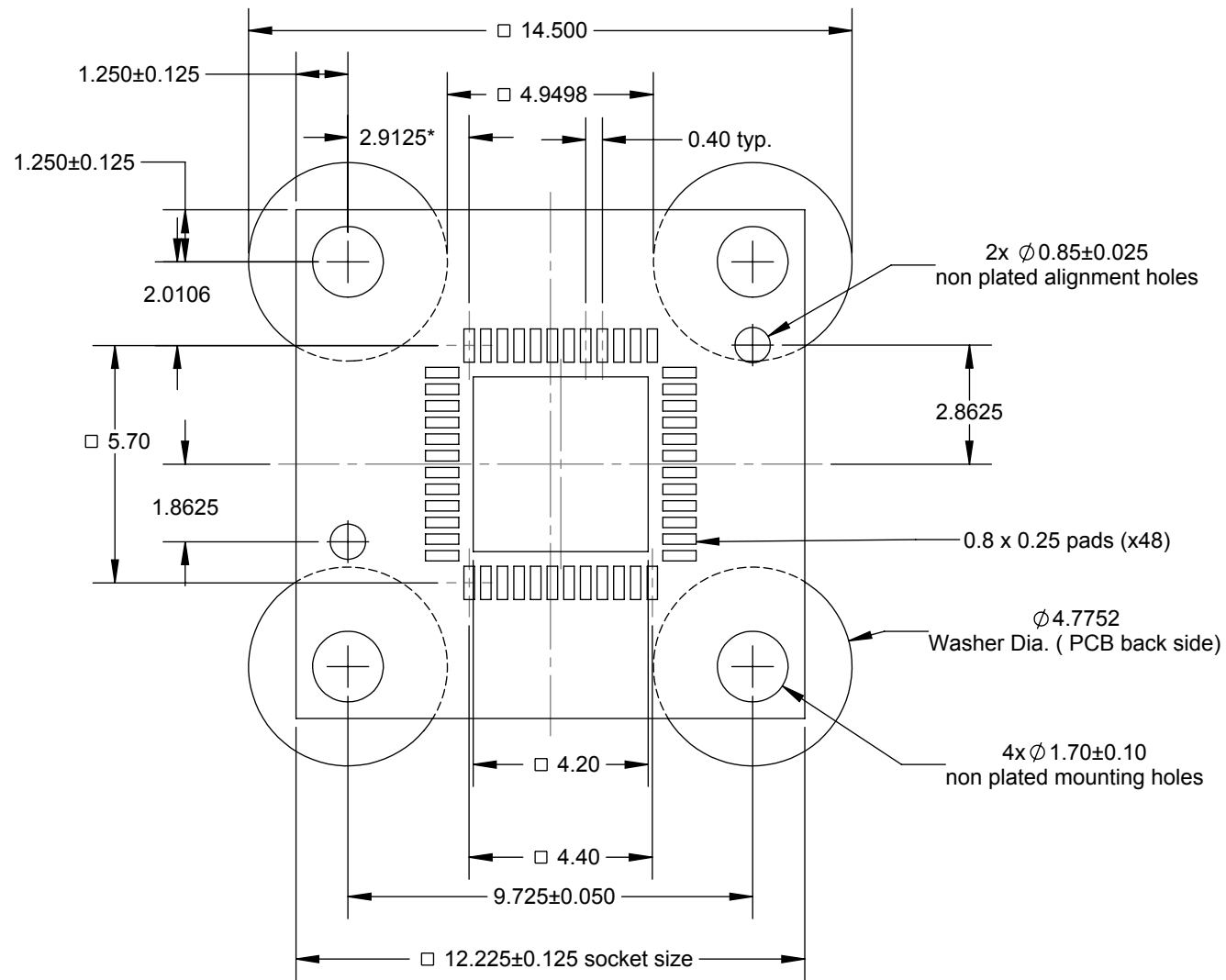
Primary dimension units are millimeters, Secondary dimension units are [inches], Weight is in grams.

Tolerances: Hole diameters $\pm 0.03\text{mm}$ [$\pm 0.001''$], Pitches (from true position) $\pm 0.025\text{mm}$ [$\pm 0.001''$], substrate thickness tolerance $\pm 10\%$, all other tolerances $\pm 0.13\text{mm}$ [$\pm 0.005''$] unless stated otherwise. Materials and specifications are subject to change without notice.

| | | | | |
|--|---|--|---|----------------------|
|  GT-QFN-3000 Drawing Ironwood Electronics, Inc. Tele: (800) 404-0204 www.ironwoodelectronics.com | Material: - Finish: - Weight: 37.54 | STATUS: Released ENG: S. Huang FILE: GT-QFN-3000 | SHEET: 1 OF 4 DRAWN BY: S. Huang DATE: 11/12/14 | REV. A SCALE: 3:2 |
| | | | | |

Recommended PCB Layout

***Note: QFN footprint is shifted by 0.25mm to the right with respect to the mounting holes**



Target PCB Recommendations

Total thickness: 1.6mm min.


Plating: Gold or Solder finish

PCB Pad height: Same or higher than solder mask

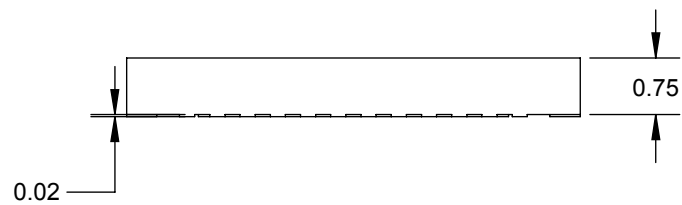
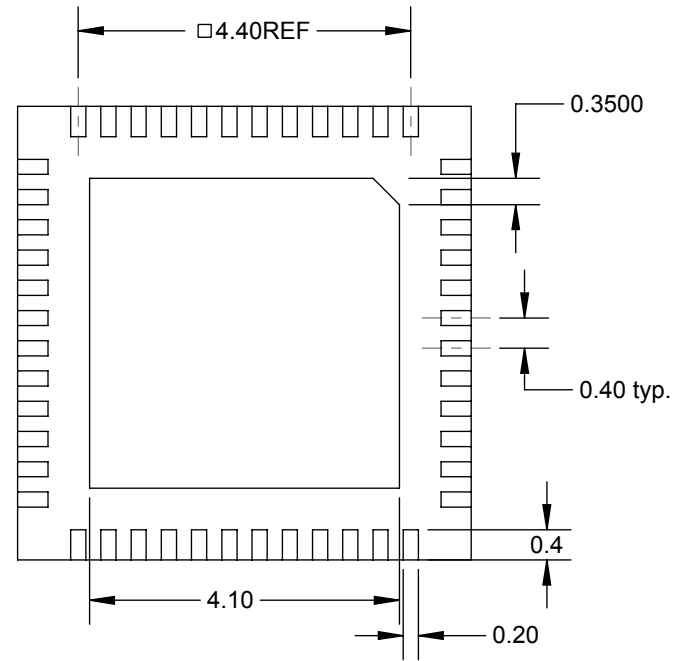
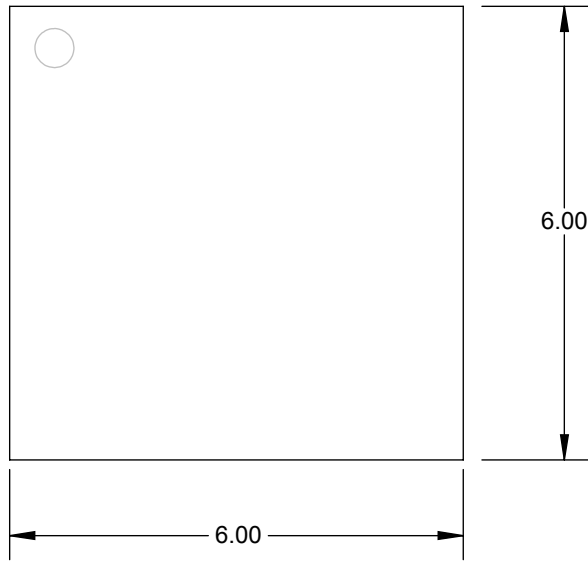
Description: Recommended PCB Layout

Primary dimension units are millimeters, Secondary dimension units are [inches], Weight is in grams.

Tolerances: Hole diameters ±0.03mm [±0.001"], Pitches (from true position) ±0.025mm [±0.001"], substrate thickness tolerance ±10%, all other tolerances ±0.13mm [±0.005"] unless stated otherwise. Materials and specifications are subject to change without notice.

| | | | | |
|--|---|--|---|----------------------|
|  GT-QFN-3000 Drawing Ironwood Electronics, Inc. Tele: (800) 404-0204 www.ironwoodelectronics.com | Material: - Finish: - Weight: 37.54 | STATUS: Released ENG: S. Huang FILE: GT-QFN-3000 | SHEET: 2 OF 4 DRAWN BY: S. Huang DATE: 11/12/14 | REV. A SCALE: 6:1 |
| | | | | |


Ironwood Package Code: QFN48G

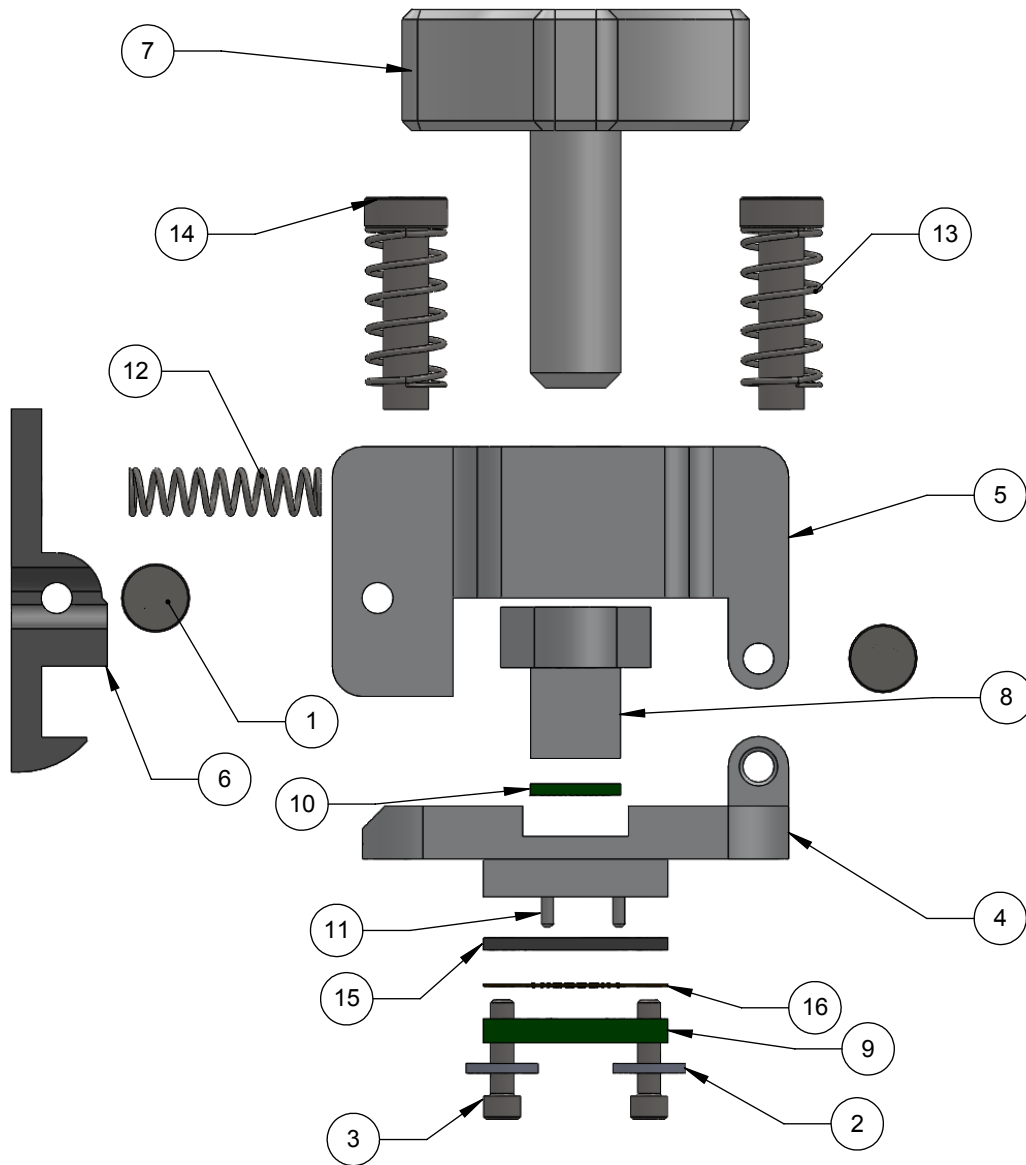


Description: Compatible QFN IC

Primary dimension units are millimeters, Secondary dimension units are [inches], Weight is in grams.

Tolerances: Hole diameters $\pm 0.03\text{mm}$ [± 0.001 "], Pitches (from true position) $\pm 0.025\text{mm}$ [± 0.001 "], substrate thickness tolerance $\pm 10\%$, all other tolerances $\pm 0.13\text{mm}$ [± 0.005 "] unless stated otherwise. Materials and specifications are subject to change without notice.

| | | | | |
|--|---|-------------------|--------------------|------------|
|  GT-QFN-3000 Drawing Ironwood Electronics, Inc. Tele: (800) 404-0204 www.ironwoodelectronics.com | Material: - Finish: - Weight: 37.54 | STATUS: Released | SHEET: 3 OF 4 | REV. A |
| | | ENG: S. Huang | DRAWN BY: S. Huang | SCALE: 3:2 |
| | | FILE: GT-QFN-3000 | DATE: 11/12/14 | |




| ITEM NO. | DESCRIPTION | Material |
|----------|--|----------------------------|
| 1 | Hinge Pin and Snap Ring, 2mm OD, 19mm long, SS | Stainless Steel (ferritic) |
| 2 | Washer, #0 x .025", Nylon | Nylon 6/6 |
| 3 | #0-80 X .25 LG, SOC HD CAP SCREW, ALLOY STL, BLK OXIDE | Alloy Steel |
| 4 | DG clam shell socket base 0.25mm shf 7mm IC threaded holes | 7075-T6 Aluminum Alloy |
| 5 | Clam Shell Lid | 7075-T6 Aluminum Alloy |
| 6 | Latch 6- 10mm Ni plated | 7075-T6 Aluminum Alloy |
| 7 | M6x1 fluted knob compression screw, Ni plated | 7075-T6 Aluminum Alloy |
| 8 | Compression Plate | 7075-T6 Aluminum Alloy |
| 9 | Customer's target PCB for 6x6mm QFN48 0.4mm pitch | FR4 Standard |
| 10 | Customer's 6x6mm 0.4mm pitch QFN48 | FR4 Standard |
| 11 | Alignment Pin 1/32" dia. x 1/8" lng | Chrome Stainless Steel |
| 12 | Precision Compression Spring, Zinc-Plated Music Wire, 1/2" Length, .12" OD, .016" Wire | Zinc Plated Music Wire |
| 13 | Spring Clamshell lid assembly | Steel Music Wire |
| 14 | Screw, M3 x 12mm, Low Head Cap, SS | 18-8 Stainless Steel |
| 15 | IC Guide 6X6mm QFN IC | Torton 4203 |
| 16 | GT elastomer for 6x6mm 0.4mm pitch QFN48 | N/A |

| Rev | Date | Initials | Description |
|-----|----------|----------|-------------|
| A | 11/12/14 | SH | Original |
| | | | |
| | | | |

Description: Component List

Primary dimension units are millimeters, Secondary dimension units are [inches], Weight is in grams.

Tolerances: Hole diameters $\pm 0.03\text{mm}$ [$\pm 0.001"$], Pitches (from true position) $\pm 0.025\text{mm}$ [$\pm 0.001"$], substrate thickness tolerance $\pm 10\%$, all other tolerances $\pm 0.13\text{mm}$ [$\pm 0.005"$] unless stated otherwise. Materials and specifications are subject to change without notice.

| | | | | |
|--|---|--|---|----------------------|
|  GT-QFN-3000 Drawing Ironwood Electronics, Inc. Tele: (800) 404-0204 www.ironwoodelectronics.com | Material: - Finish: - Weight: 37.54 | STATUS: Released ENG: S. Huang FILE: GT-QFN-3000 | SHEET: 4 OF 4 DRAWN BY: S. Huang DATE: 11/12/14 | REV. A SCALE: 2:1 |
| | | | | |