

THIS DRAWING IS UNPUBLISHED.

RELEASED FOR PUBLICATION

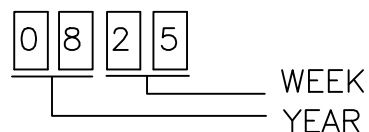
REVISIONS

© COPYRIGHT - By -

ALL RIGHTS RESERVED.

P	LTR	DESCRIPTION	ECO	DATE	DWN	APVD
D		ADD NEW PN, AND DIMENSION CHANGE	ECO-20-015505	28-OCT-20	XR.L	K.T

NOTES:  
 1.LOT NO. SYSTEM AS FOLLOWING:



2.GENERAL TOLERANCE AS FOLLOWING:

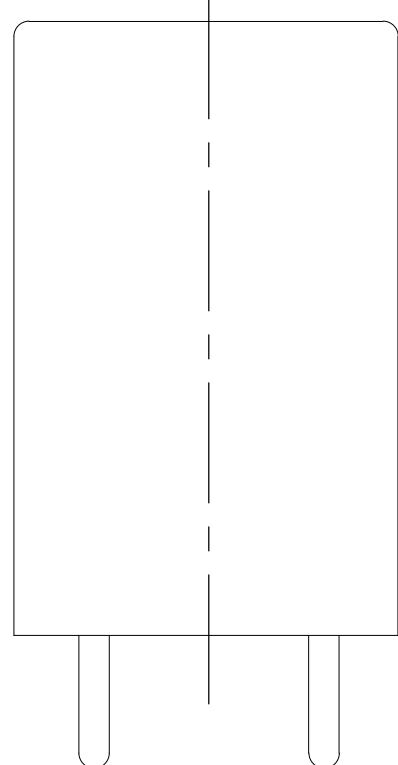
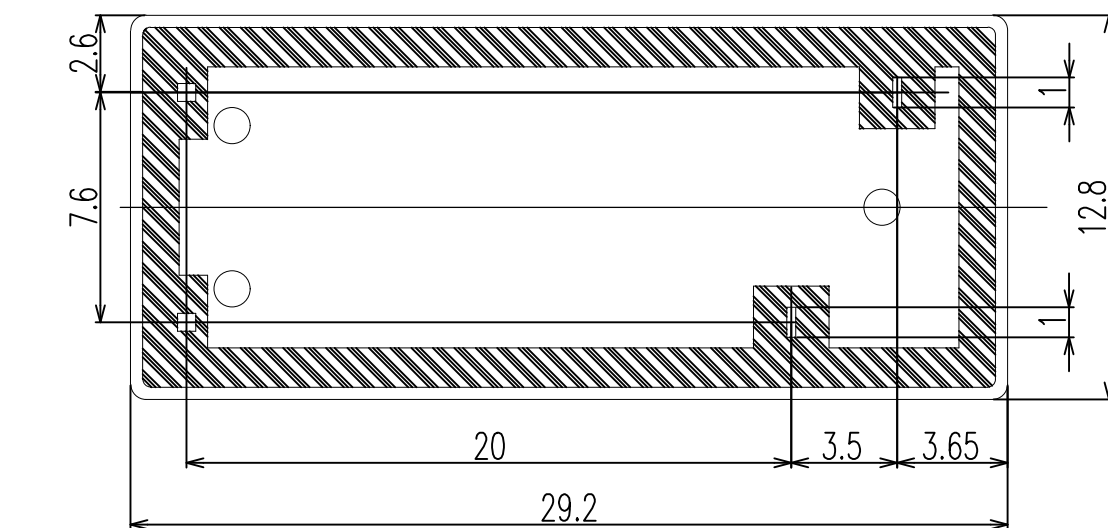
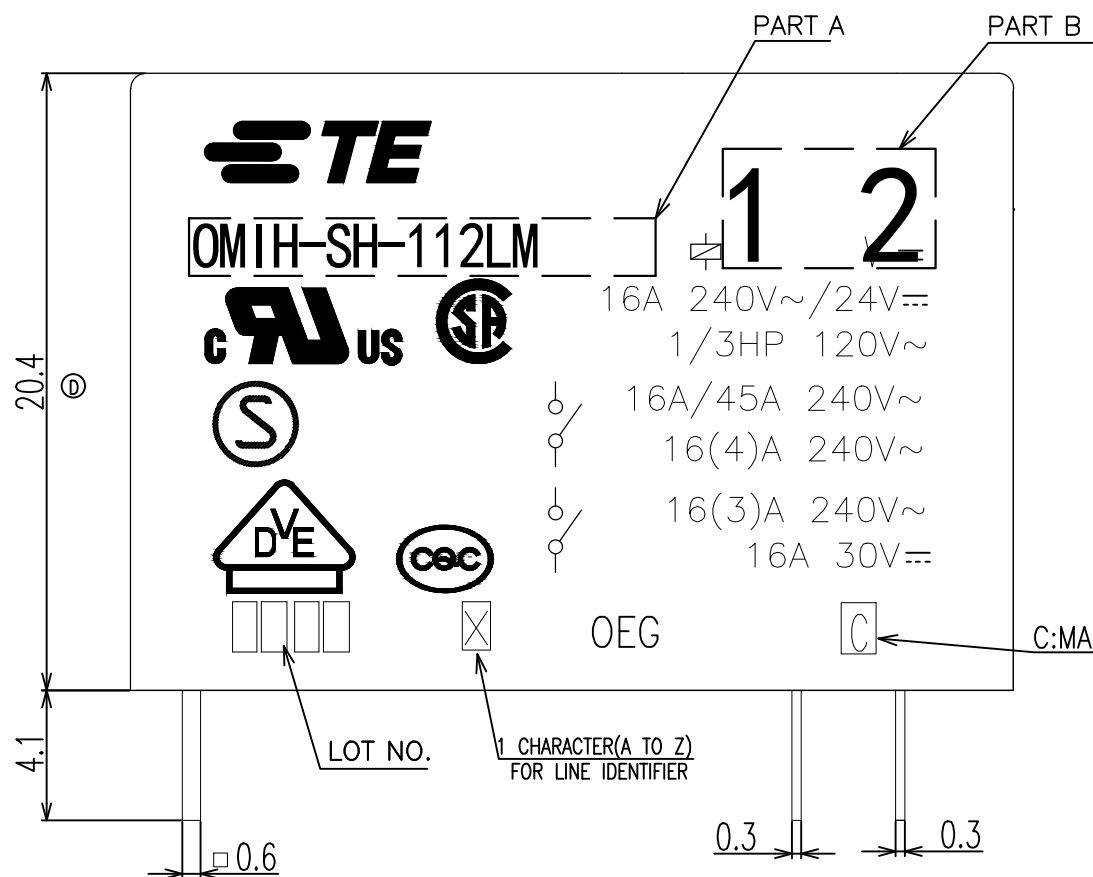
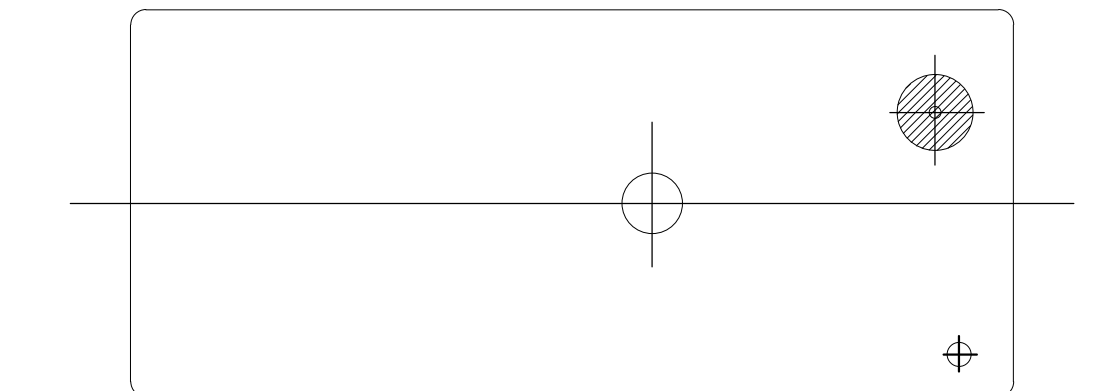
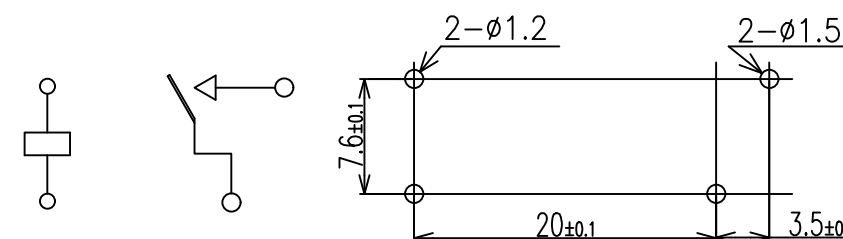
TOLERANCE	
0~0.99mm	±0.1
1mm~2.99mm	±0.2
3mm MIN.	±0.3

3.TERMINAL DIMENSION IS NOT INCLUDING SOLDER TIP.

4.FOR THE TIN-PLATING OF THE PINS:  
 +0.1mm FOR WIDTH,THICKNESS AND DIAMETER.  
 +0.5mm FOR LENGTH.

CONNECTION DIAGRAM  
(BOTTOM VIEW)

DRILLING DIAGRAM(2/1)  
(BOTTOM VIEW)



①	1-1721685-5	OMIH-SH-112LM,03060	12	OMIH-SH-112LM	107-84041	3
②	1-1721685-1	OMIH-SH-112LM,03020	12	OMIH-SH-112LM	107-84028	2
③	1721685-8	OMIH-SH-112LM,00001	12	OMIH-SH-112LM	107-79006	1
	6-1419121-2	OMIH-SH-112LM	12	OMIH-SH-112LM	107-79006	
TE PART NO	DESCRIPTION	PART B	PART A	PACK. SPEC.	No.	

INCOMBUSTIBILITY	TREATMENT	MATERIAL	DESCRIPTION	ITEM
		UV RESIN	UV SEAL	16
		EPOXY RESIN	SEAL	15
UL94 V-0		PBT	CASE	14
CLASS E		UEW	MAGNETIC WIRE	13
UL94 V-0		PET	BASE	12
UL94 V-0		PBT	BOBBIN	11
	SOLDER DIP	CP WIRE	COIL TERMINAL	10
UL94 V-0		PPS	CARD	9
		Ag ALLOY	MOVABLE CONTACT	8
		Ag ALLOY	STATIONARY CONTACT	7
		Cu ALLOY	HINGE SPRING	6
	SOLDER DIP	Cu ALLOY	STATIONARY TERMINAL	5
	SOLDER DIP	Cu ALLOY	MOVABLE SPRING	4
		STEEL	CORE	3
		STEEL	ARMATURE	2
		STEEL	YOKE	1

RELAY TYPE

THIS DRAWING IS A CONTROLLED DOCUMENT.

DIMENSIONS: mm	TOLERANCES UNLESS OTHERWISE SPECIFIED:
	0 PLC ± -
	1 PLC ± -
	2 PLC ± -
	3 PLC ± -
	4 PLC ± -
	ANGLES ± -
MATERIAL	FINISH ± -

STE TE Connectivity

OMIH CUSTOMER DRAWING

DWN Davey Liu 25JUL2010	CHK Banghua Yu 26JUL2010	APVD Sunny Zhang 27JUL2010	NAME
PRODUCT SPEC	APPLICATION SPEC	WEIGHT	RESTRICTED TO
SIZE A3	CAGE CODE 00779	DRAWING NO C-6-1419121-2	SCALE 1:1
CUSTOMER DRAWING		SHEET 1 OF 1	REV D