

- Fully Matches Parameters for SCSI Alternative 2 Active Termination
- Fixed 2.85-V Output
- $\pm 1\%$ Maximum Output Tolerance at $T_J = 25^\circ\text{C}$
- 0.7-V Maximum Dropout Voltage
- 620-mA Output Current
- $\pm 2\%$ Absolute Output Variation
- Internal Overcurrent-Limiting Circuitry
- Internal Thermal-Overload Protection
- Internal Overvoltage Protection

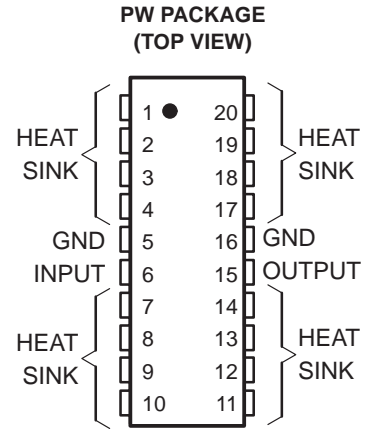
description

The TL-SCSI285 is a low-dropout (0.7-V) fixed-voltage regulator specifically designed for small computer systems interface (SCSI) alternative 2 active signal termination. The TL-SCSI285 0.7-V maximum dropout ensures compatibility with existing SCSI systems, while providing a wide TERMPWR voltage range. At the same time, the $\pm 1\%$ initial tolerance on its 2.85-V output voltage ensures a tighter line-driver current tolerance, thereby increasing the system noise margin.

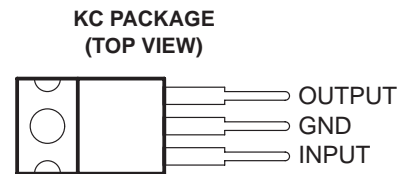
The fixed 2.85-V output voltage of the TL-SCSI285 supports the SCSI alternative 2 termination standard, while reducing system power consumption. The 0.7-V maximum dropout voltage brings increased TERMPWR isolation, making the device ideal for battery-powered systems. The TL-SCSI285, with internal current limiting, overvoltage protection, ESD protection, and thermal protection, offers designers enhanced system protection and reliability.

When configured as a SCSI active terminator, the TL-SCSI285 low-dropout regulator eliminates the 220- Ω and the 330- Ω resistors required for each transmission line with a passive termination scheme, reducing significantly the continuous system power drain. When placed in series with 110- Ω resistors, the device matches the impedance level of the transmission cable and eliminates reflections.

The TL-SCSI285 is characterized for operation over the virtual junction temperature range of 0°C to 125°C.



HEAT SINK – These terminals have an internal resistive connection to ground and should be grounded or electrically isolated.



The GND terminal is in electrical contact with the mounting base.

AVAILABLE OPTIONS

T _J	PACKAGED DEVICES		CHIP FORM (Y)
	PLASTIC POWER (KC)	SURFACE MOUNT (PW)	
0°C to 125°C	TL-SCSI285KC	TL-SCSI285PWR	TL-SCSI285Y

The PW package is only available taped and reeled. Chip forms are tested at 25°C.



Please be aware that an important notice concerning availability, standard warranty, and use in critical applications of Texas Instruments semiconductor products and disclaimers thereto appears at the end of this data sheet.

PRODUCTION DATA information is current as of publication date. Products conform to specifications per the terms of Texas Instruments standard warranty. Production processing does not necessarily include testing of all parameters.

TL-SCSI285 FIXED-VOLTAGE REGULATORS FOR SCSI ACTIVE TERMINATION

SLVS065F – NOVEMBER 1991 – REVISED JULY 1999

absolute maximum ratings over operating virtual junction temperature range (unless otherwise noted)†

Continuous input voltage, V_I	7.5 V
Operating virtual junction temperature range, T_J	-55°C to 150°C
Package thermal impedance, θ_{JA} (see Notes 1 and 2): KC package	22°C/W
PW package	83°C/W
Lead temperature 1,6 mm (1/16 inch) from case for 60 seconds: KC or PW package	260°C
Storage temperature range, T_{stg}	-65°C to 150°C

† Stresses beyond those listed under “absolute maximum ratings” may cause permanent damage to the device. These are stress ratings only, and functional operation of the device at these or any other conditions beyond those indicated under “recommended operating conditions” is not implied. Exposure to absolute-maximum-rated conditions for extended periods may affect device reliability.

- NOTES: 1. Maximum power dissipation is a function of $T_J(\max)$, θ_{JA} , and T_A . The maximum allowable power dissipation at any allowable ambient temperature is $P_D = (T_J(\max) - T_A)/\theta_{JA}$. Operating at the absolute maximum T_J of 150°C can impact reliability. Due to variations in individual device electrical characteristics and thermal resistance, the built-in thermal overload protection may be activated at power levels slightly above or below the rated dissipation.
2. The package thermal impedance is calculated in accordance with JESD 51, except for through-hole packages, which use a trace length of zero.

recommended operating conditions

		TL-SCSI285		UNIT
		MIN	MAX	
Input voltage, V_I	$T_J = 25^\circ\text{C}$			V
Input voltage, V_I	$T_J = 0^\circ\text{C to } 125^\circ\text{C}$	3.55	5.5	V
Output current, I_O	KC package	0	620	mA
	PW package	0	500	
Operating virtual junction temperature range, T_J		0	125	°C

electrical characteristics, $V_I = 4.5\text{ V}$, $I_O = 500\text{ mA}$, $T_J = 25^\circ\text{C}$ (unless otherwise noted)

PARAMETER	TEST CONDITIONS‡	TL-SCSI285KC			UNIT
		MIN	TYP	MAX	
Output voltage	$I_O = 20\text{ mA to } 500\text{ mA}$, $V_I = 3.55\text{ V to } 5.5\text{ V}$, $T_J = 25^\circ\text{C}$	2.82	2.85	2.88	V
	$I_O = 500\text{ mA to } 620\text{ mA}$, $V_I = 3.65\text{ V to } 5.5\text{ V}$, $T_J = 0\text{ to } 125^\circ\text{C}$	2.79		2.91	
Input regulation	$V_I = 3.55\text{ V to } 5.5\text{ V}$		5	15	mV
Ripple rejection	$f = 120\text{ Hz}$, $V_{\text{ripple}} = 1\text{ V}_O(\text{PP})$		-62		dB
Output regulation	$I_O = 20\text{ mA to } 620\text{ mA}$		5	30	mV
	$I_O = 20\text{ mA to } 500\text{ mA}$		5	30	
Output noise voltage	$f = 10\text{ Hz to } 100\text{ kHz}$		500		µV
Dropout voltage	$I_O = 500\text{ mA}$			0.7	V
	$I_O = 620\text{ mA}$			0.8	
Bias current	$I_O = 0$		2	5	mA
	$I_O = 27\text{ mA}$, equivalent 1 line asserted		3	6	
	$I_O = 500\text{ mA}$, equivalent 18 lines asserted (8-bit)		26	49	
	$I_O = 620\text{ mA}$		37	62	

‡ Pulse-testing techniques are used to maintain the virtual junction temperature as close to the ambient temperature as possible. Thermal effects must be taken into account separately. All characteristics are measured with a 0.1-µF capacitor across the input and a 22.0-µF tantalum capacitor with equivalent series resistance of 1.5 Ω on the output.



electrical characteristics, $V_I = 4.5\text{ V}$, $I_O = 500\text{ mA}$, $T_J = 25^\circ\text{C}$ (unless otherwise noted)

PARAMETER	TEST CONDITIONST	TL-SCSI285PW			UNIT	
		MIN	TYP	MAX		
Output voltage	$I_O = 20\text{ mA to }500\text{ mA}$, $V_I = 3.55\text{ V to }5.5\text{ V}$	$T_J = 25^\circ\text{C}$	2.82	2.85	2.88	V
		$T_J = 0\text{ to }125^\circ\text{C}$	2.79		2.91	
Input regulation	$V_I = 3.55\text{ V to }5.5\text{ V}$		5	15	mV	
Ripple rejection	$f = 120\text{ Hz}$, $V_{\text{ripple}} = 1\text{ V}_{O(\text{PP})}$		-62		dB	
Output regulation	$I_O = 20\text{ mA to }500\text{ mA}$		5	30	mV	
Output noise voltage	$f = 10\text{ Hz to }100\text{ kHz}$		500		μV	
Dropout voltage	$I_O = 500\text{ mA}$			0.7	V	
Bias current	$I_O = 0$		2	5	mA	
	$I_O = 27\text{ mA}$, equivalent 1 line asserted		3	6		
	$I_O = 500\text{ mA}$, equivalent 18 lines asserted (8-bit)		26	49		

† Pulse-testing techniques are used to maintain the virtual junction temperature as close to the ambient temperature as possible. Thermal effects must be taken into account separately. All characteristics are measured with a 0.1- μF capacitor across the input and a 22.0- μF tantalum capacitor with equivalent series resistance of 1.5 Ω on the output.

electrical characteristics, $V_I = 4.5\text{ V}$, $I_O = 500\text{ mA}$, $T_J = 25^\circ\text{C}$

PARAMETER	TEST CONDITIONST	TL-SCSI285Y			UNIT
		MIN	TYP	MAX	
Output voltage	$I_O = 20\text{ mA to }500\text{ mA}$, $V_I = 3.55\text{ V to }5.5\text{ V}$		2.85		V
Input regulation	$V_I = 3.55\text{ V to }5.5\text{ V}$		5		mV
Ripple rejection	$f = 120\text{ Hz}$, $V_{\text{ripple}} = 1\text{ V}_{O(\text{PP})}$		-62		dB
Output regulation	$I_O = 20\text{ mA to }620\text{ mA}$		5		mV
	$I_O = 20\text{ mA to }500\text{ mA}$		5		
Output noise voltage	$f = 10\text{ Hz to }100\text{ kHz}$		500		μV
Bias current	$I_O = 0$		2		mA
	$I_O = 27\text{ mA}$, equivalent 1 line asserted		3		
	$I_O = 500\text{ mA}$, equivalent 18 lines asserted (8-bit)		26		
	$I_O = 620\text{ mA}$		37		

† Pulse-testing techniques are used to maintain the virtual junction temperature as close to the ambient temperature as possible. Thermal effects must be taken into account separately. All characteristics are measured with a 0.1- μF capacitor across the input and a 22.0- μF tantalum capacitor with equivalent series resistance of 1.5 Ω on the output.

TL-SCSI285
FIXED-VOLTAGE REGULATORS
FOR SCSI ACTIVE TERMINATION
 SLVS065F – NOVEMBER 1991 – REVISED JULY 1999

APPLICATION INFORMATION

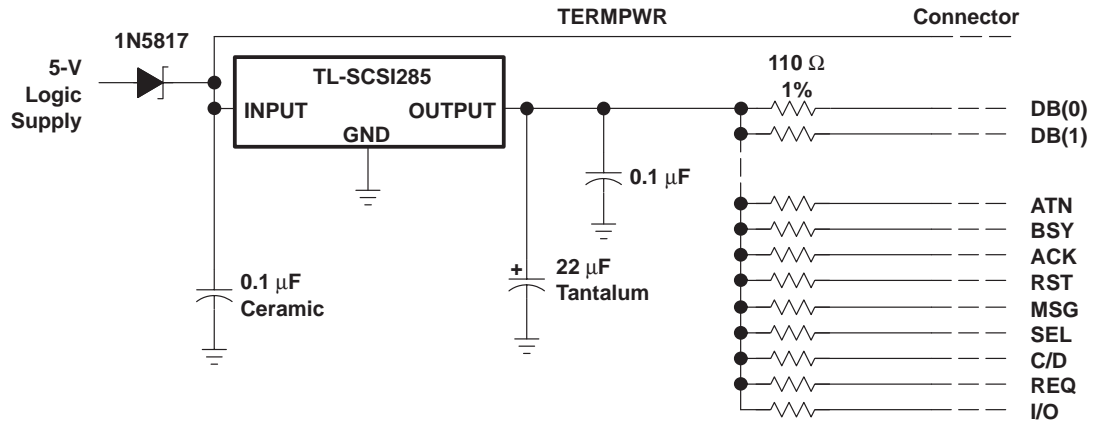
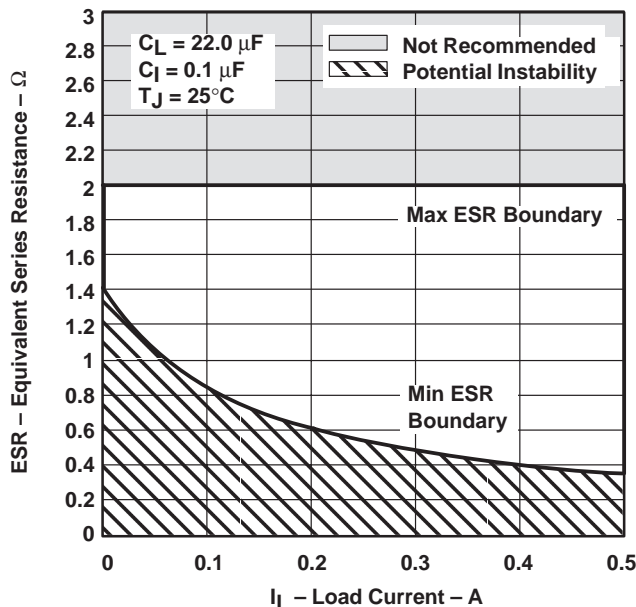


Figure 1. Typical Application Schematic

COMPENSATION CAPACITOR SELECTION INFORMATION

The TL-SCSI285 is a low-dropout regulator. This means that the capacitance loading is important to the performance of the regulator because it is a vital part of the control loop. The capacitor value and the equivalent series resistance (ESR) both affect the control loop and must be defined for the load range and the temperature range. Figures 2 and 3 can be used to establish the capacitance value and ESR range for best regulator performance.

**ESR OF OUTPUT CAPACITOR
 vs
 LOAD CURRENT**



**STABILITY
 vs
 ESR**

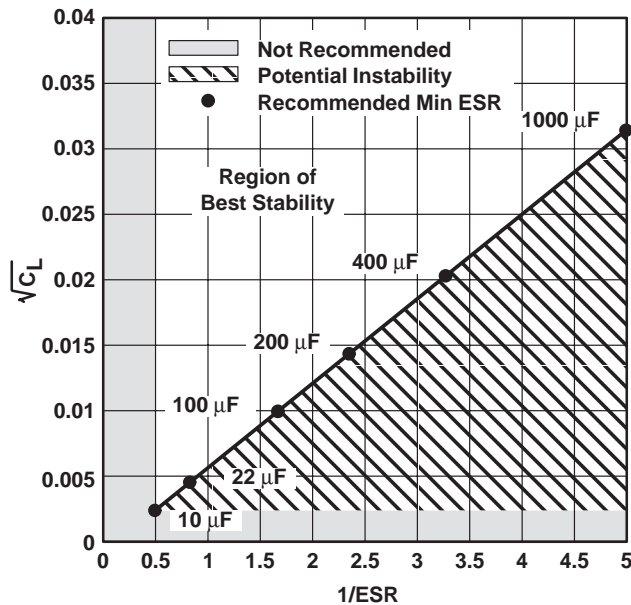


Figure 3

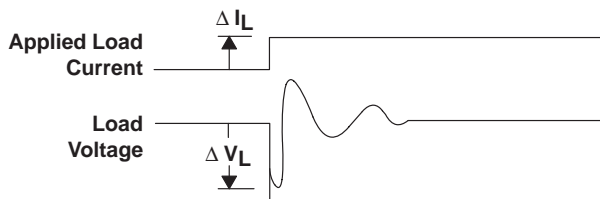


Figure 2

IMPORTANT NOTICE

Texas Instruments and its subsidiaries (TI) reserve the right to make changes to their products or to discontinue any product or service without notice, and advise customers to obtain the latest version of relevant information to verify, before placing orders, that information being relied on is current and complete. All products are sold subject to the terms and conditions of sale supplied at the time of order acknowledgement, including those pertaining to warranty, patent infringement, and limitation of liability.

TI warrants performance of its semiconductor products to the specifications applicable at the time of sale in accordance with TI's standard warranty. Testing and other quality control techniques are utilized to the extent TI deems necessary to support this warranty. Specific testing of all parameters of each device is not necessarily performed, except those mandated by government requirements.

CERTAIN APPLICATIONS USING SEMICONDUCTOR PRODUCTS MAY INVOLVE POTENTIAL RISKS OF DEATH, PERSONAL INJURY, OR SEVERE PROPERTY OR ENVIRONMENTAL DAMAGE ("CRITICAL APPLICATIONS"). TI SEMICONDUCTOR PRODUCTS ARE NOT DESIGNED, AUTHORIZED, OR WARRANTED TO BE SUITABLE FOR USE IN LIFE-SUPPORT DEVICES OR SYSTEMS OR OTHER CRITICAL APPLICATIONS. INCLUSION OF TI PRODUCTS IN SUCH APPLICATIONS IS UNDERSTOOD TO BE FULLY AT THE CUSTOMER'S RISK.

In order to minimize risks associated with the customer's applications, adequate design and operating safeguards must be provided by the customer to minimize inherent or procedural hazards.

TI assumes no liability for applications assistance or customer product design. TI does not warrant or represent that any license, either express or implied, is granted under any patent right, copyright, mask work right, or other intellectual property right of TI covering or relating to any combination, machine, or process in which such semiconductor products or services might be or are used. TI's publication of information regarding any third party's products or services does not constitute TI's approval, warranty or endorsement thereof.