

Pt100-Temperature-Relay TR1200

12 Sensors, Interface RS485

TR1200



Part number:
T224095 AC/DC 24-240 V

Features

12-channel Temperature-Relay for Sensors Pt100 (RTD)

Temperature-relays TR1200 measure the temperature of up to 12 sensors within 199...+850 °C and provide the data at an interface RS485 for external evaluation. With its universal power-supply AC/DC 24-240 V it can be connected to all common supply-voltages.

The TR1200 provides the data as Modbus-RTU-protocol or according to the ZIEHL-standard.

With protocol ZIEHL-standard it can replace two ZIEHL TR600.

The TR1200 is used where temperatures of many sensors Pt100 shall be evaluated by a device with input RS485.

Applications are e.g. monitoring of

- motors and generators (windings, bearings, coolant, ambient temperature)
- transformers (windings, core, ambient temperature)
- machines, plants and equipment

Sensors and Displays:

- 12 inputs for sensors Pt100 (RTD)
- Connection 2- or 3-wire unneeded inputs can be switched off
- Monitoring of sensors for short-circuit and interrupt
- 3-digit-display for temperature
- LEDs for assigning the measured value, error, state of relay and interface

- selectable Protocols see operating-manual on www.ziehl.de
- Relay for Error (1 co-contact) for sensor-error and operational failure

More Features:

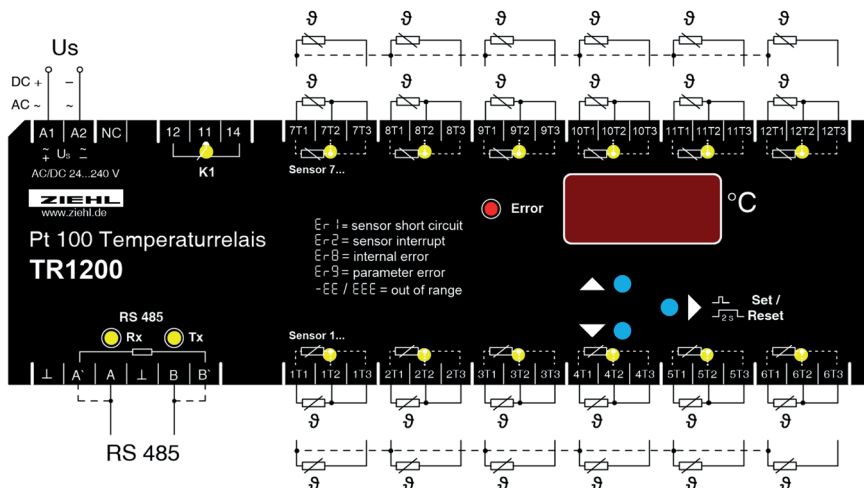
- easy operation and selection of temperatures at the device
- Sensor-simulation
- Code-protection against manipulation of settings
- Universal supply-voltage AC/DC 24...240 V
- Housing for switchgear-mount, 140 mm wide, mounting-height 55 mm
- Mounting on DIN-rail 35mm or with screws M4 (option)

Interface:

- Interface RS485 (protocols ZIEHL-standard and Modbus-RTU)
- Baud rate (4800/9600/19200) and Parity-Bit

Software for operation (download from www.ziehl.de)

- Software (Modbus) for programming the inputs
- Logging-function (with connected PC only)
- Hardware for every TR1200: PC with USB or RS232 interface + RS485-RS232 converter (depending on the interface)
- Software: Win7/Win10 and Excel 2010-2016



Technical Data TR1200

Rated Supply Voltage Us	AC/DC 24-240 V, 0/45...65 Hz, < 5 VA DC: 20,4...297 V, AC: 20,4...264 V
Relay output	1 change-over contact (CO) type 2, see "general technical informations"
Measuring inputs	12 x Pt100 (RTD) acc. to EN 60 751 / IEC 60 751
Measuring time sensor	0,25...3s (depending on number of sensors)
Measuring range	-199°...850°C
Resolution	1°C
Tolerance	± 0,5% of value ± 1 K
Sensor-current	≤ 0,8 mA
RS485 interface	
Adress of device	0...96
Baud rate	4800, 9600, 19200 baud
Parity	N, O, E (non, odd, even)
cable-length	max. 1000 m at 19200 baud
Testing conditions	see "general technical informations"
Rated ambient temperature range	-20°C...+65°C
Housing	Design V8
Dimensions (W x H x D)	140 x 90 x 58 mm, mounting height 55 mm
Protection housing/terminals	IP 30 / IP 20
Attachment	DIN-rail 35 mm acc. to EN 60715 or screws M4 (option)
Weight	app. 350 g