

1N5061 THRU 1N5062

SINTERED GLASS JUNCTION AVALANCHE RECTIFIER

VOLTAGE: 600V to 800V

CURRENT: 2.0A



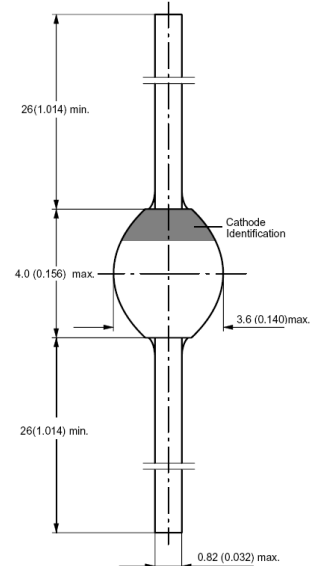
FEATURE

Glass passivated
High maximum operating temperature
Low leakage current
Excellent stability
Guaranteed avalanche energy absorption capability

MECHANICAL DATA

Case: SOD-57 sintered glass case
Terminal: Plated axial leads solderable per MIL-STD 202E,
method 208C
Polarity: color band denotes cathode end
Mounting position: any

SOD-57



Dimensions in inches and (millimeters)

MAXIMUM RATINGS AND ELECTRICAL CHARACTERISTICS

(single-phase, half-wave, 60HZ, resistive or inductive load rating at 25°C, unless otherwise stated)

	SYMBOL	1N5061	1N5062	units
Maximum Recurrent Peak Reverse Voltage	V_{RRM}	600	800	V
Maximum RMS Voltage	V_{RMS}	420	560	V
Maximum DC blocking Voltage	V_{DC}	600	800	V
Maximum Average Forward Rectified Current 3/8" lead length at $T_{tp} = 45^{\circ}C$	I_{FAV}	2.0		A
Peak Forward Surge Current at $t=10ms$ half sinewave	I_{FSM}	50		A
Maximum Forward Voltage at rated Forward Current at 1.0A	V_F	1.0		V
Maximum DC Reverse Current at rated DC blocking voltage	I_R	$T_a = 25^{\circ}C$	1.0	μA
		$T_a = 165^{\circ}C$	150.0	
Typical Reverse Recovery Time (Note 1)	T_{rr}	3000		nS
Diode capacitance at 0V, 1MHz	C_d	50		pF
Typical Thermal Resistance (Note 2)	$R_{th(ja)}$	100		K/W
Storage and Operating Junction Temperature	T_{stg}, T_j	-65 to +175		$^{\circ}C$

Note:

1. Reverse Recovery Condition $I_f = 0.5A$, $I_r = 1.0A$, $I_{rr} = 0.25A$
2. Device mounted on epoxy-glass printed-circuit board, 1.5mm thick

RATINGS AND CHARACTERISTIC CURVES 1N5061 THRU 1N5062

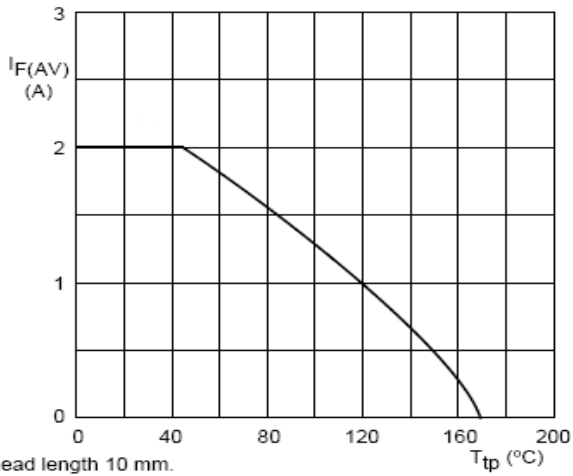


Fig.1 Maximum permissible average forward current as a function of tie-point temperature (including losses due to reverse leakage).

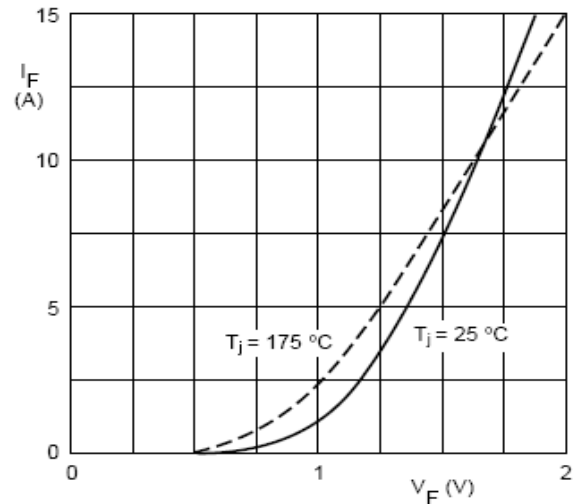


Fig.2 Forward current as a function of forward voltage; maximum values.

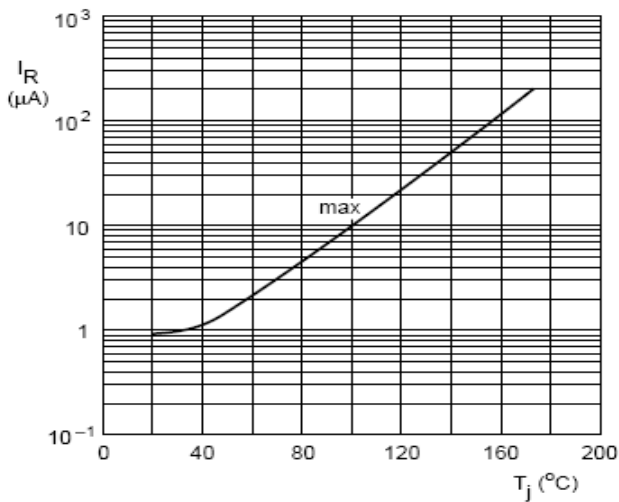


Fig.3 Reverse current as a function of junction temperature; maximum values.

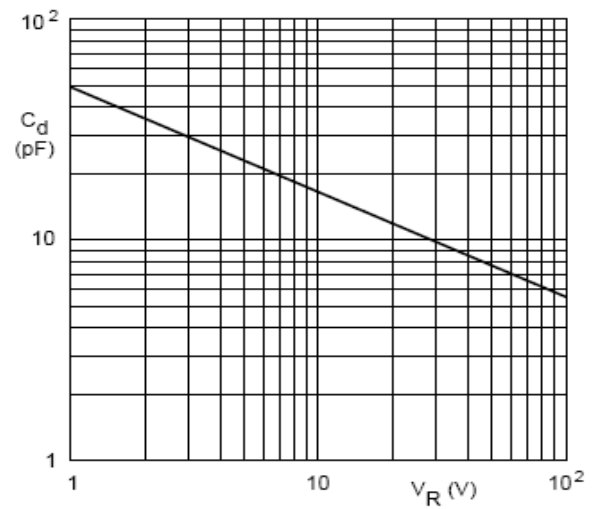


Fig.4 Diode capacitance as a function of reverse voltage; typical values.

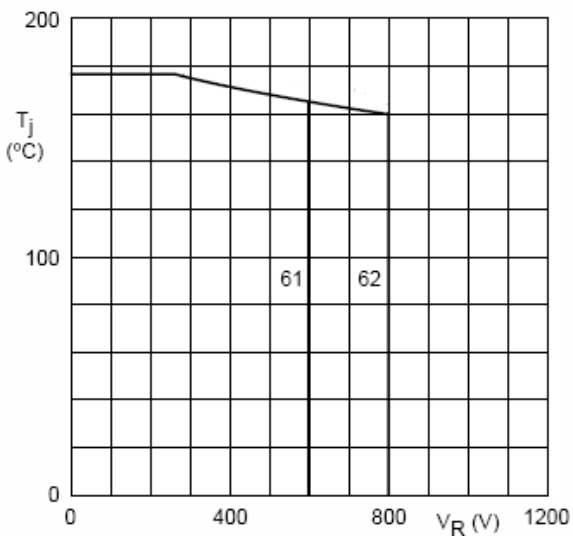


Fig.5 Maximum permissible junction temperature as a function of reverse voltage.