

Pb Free Plating Product

MURB3020CTR/MURB3030CTR/MURB3040CTR/MURB3060CTR



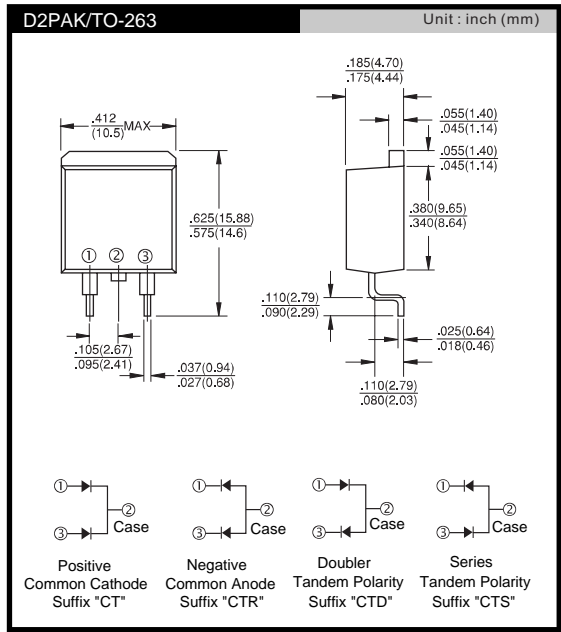
30.0 Ampere Surface Mount Dual Common Anode Ultra Fast Recovery Rectifiers

Features

- ★ Latest GPP EPI P/G Technology
- ★ Good Soft Recovery Characteristics
- ★ Ideally Suited for Automatic Assembly
- ★ Low Forward Voltage
- ★ High Surge Current Capability
- ★ Low Leakage Current

Applications

- ★ Freewheeling, Snubber, Clamp
- ★ Inversion Welder
- ★ PFC
- ★ Plating Power Supply
- ★ Ultrasonic Cleaner and Welder
- ★ Converter & Chopper
- ★ UPS/LED SMPS/HID



Maximum Ratings and Electrical Characteristics @T_A=25°C unless otherwise specified

Single Phase, half wave, 60Hz, resistive or inductive load. For capacitive load, derate current by 20%.

| Characteristic | Symbol | MURB3020CTR | MURB3030CTR | MURB3040CTR | MURB3060CTR | Unit |
|---|-----------------------------------|-------------|-------------|-------------|-------------|------|
| Peak Repetitive Reverse Voltage | V _{RRM} | | | | | |
| Working Peak Reverse Voltage | V _{RWM} | 200 | 300 | 400 | 600 | V |
| DC Blocking Voltage | V _R | | | | | |
| RMS Reverse Voltage | V _{R(RMS)} | 140 | 210 | 280 | 420 | V |
| Average Rectified Output Current @T _C = 110°C | I _O | | | 30 | 15 | A |
| Non-Repetitive Peak Forward Surge Current 8.3ms Single Half Sine-Wave Superimposed on Rated Load (JEDEC Method) | I _{FSM} | | 200 | | | A |
| Forward Voltage per diode @I _F = 15A | V _{FM} | 1.05 | | 1.25 | 1.7 | V |
| Peak Reverse Current At Rated DC Blocking Voltage | I _{RM} | | | 10 | 500 | μA |
| Reverse Recovery Time (Note 1) | t _{rr} | 35 | | 50 | | nS |
| Typical Junction Capacitance (Note 2) | C _J | | 175 | | 145 | pF |
| Thermal Resistance Junction to Ambient per diode | R _{JA} | | | 30 | | °C/W |
| Thermal Resistance Junction to Case per diode | R _{JC} | | | 1.5 | | |
| Operating and Storage Temperature Range | T _J , T _{STG} | | | -55 to +150 | | °C |

Note: 1. Measured with I_F = 0.5A, I_R = 1.0A, I_{RR} = 0.25A.
 2. Measured at 1.0 MHz and applied reverse voltage of 4.0V D.C.

RATINGS AND CHARACTERISTICS CURVES

($T_A=25^\circ\text{C}$ unless otherwise noted)

