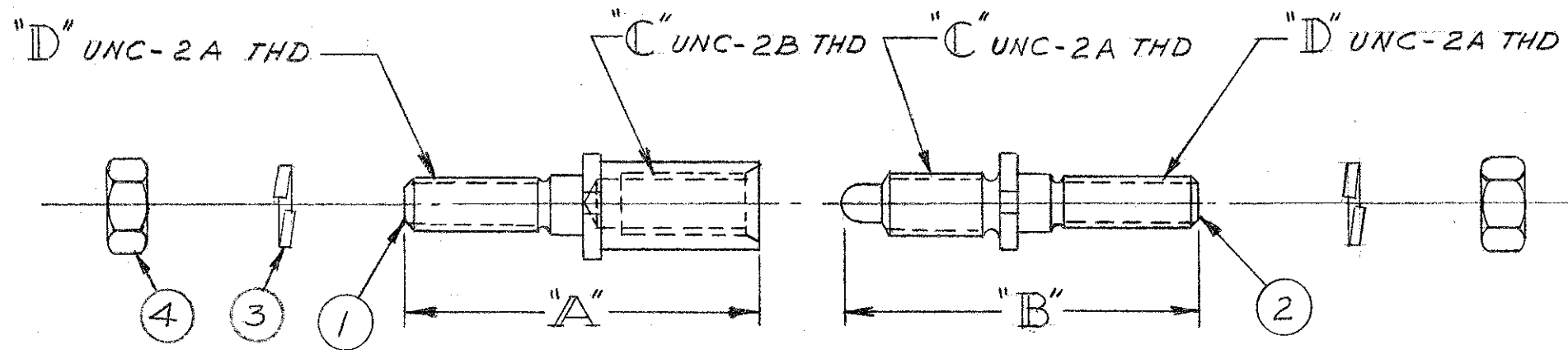
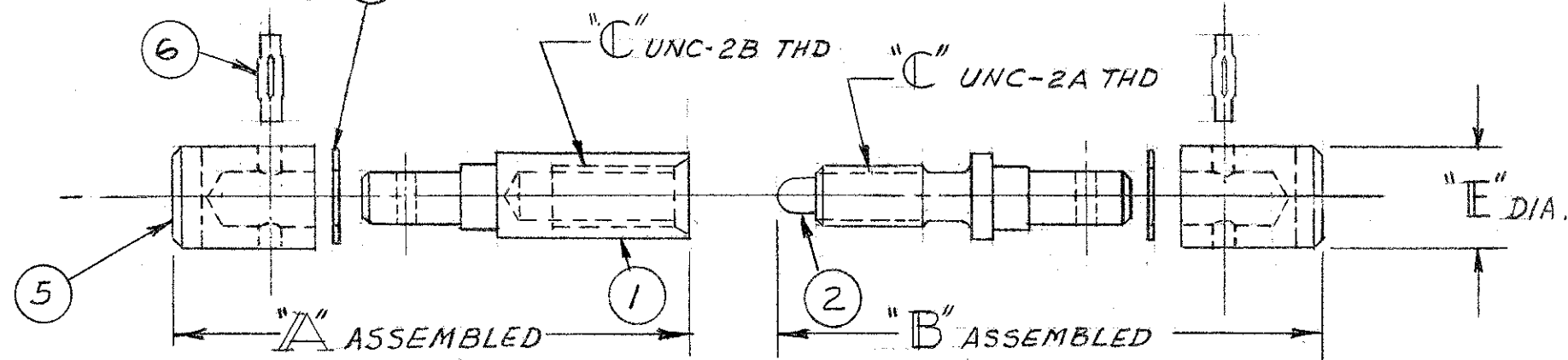


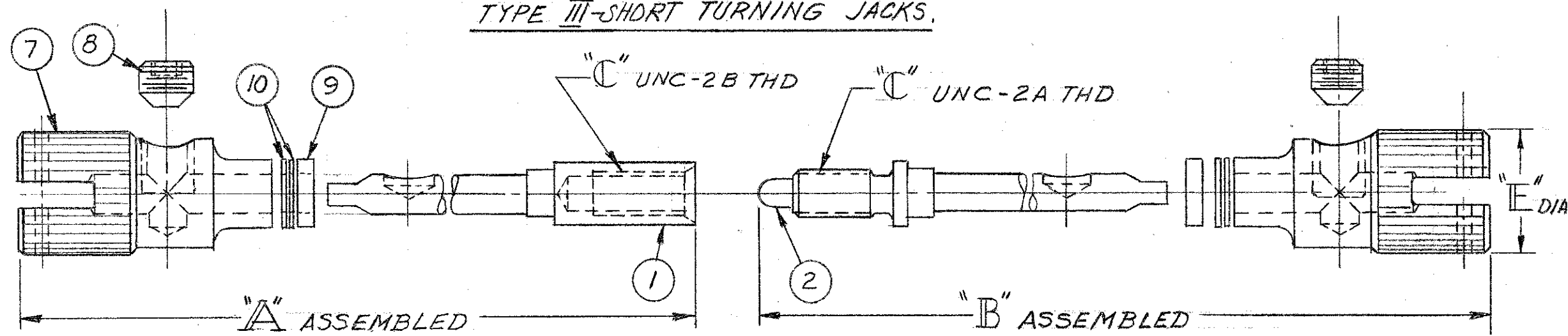
TYPE I - FIXED JACKS.



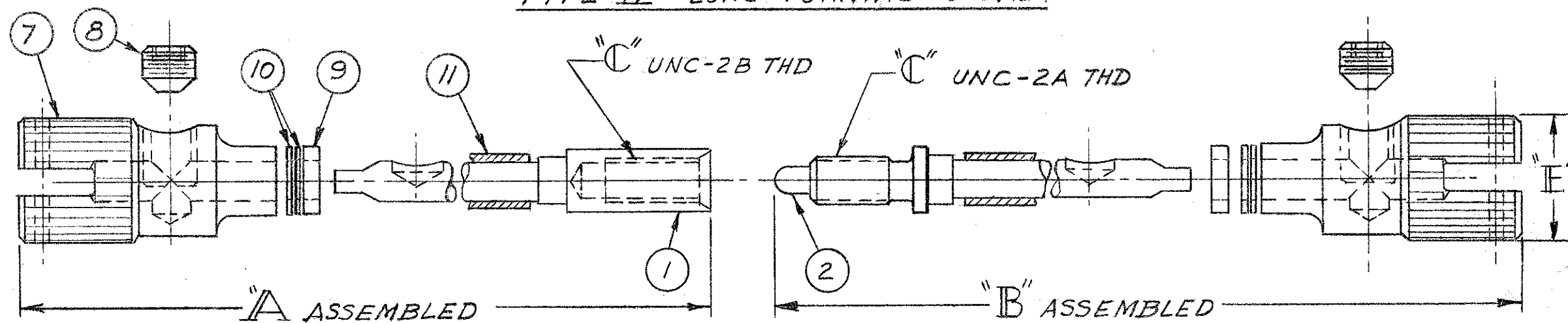
TYPE II - SHORT TURNING JACKS, ("U" TYPE)



TYPE III - SHORT TURNING JACKS.



TYPE IV - LONG TURNING JACKS.



11 SPACER - ALUMINUM TUBING, WW-T-700, ANODIZE & SEAL IN POTASSIUM DICHROMATE.

CAT. NO.	TYPE	USED ON	A	B	C	D	E
J-310	I	SLE 4-50 P/S J, SME 4-50 P/S J	.57	.61	#2-56	#2-56	—
J-300	I	SRE 4-50 P/S J, SREC 7-50 P/S J	.57	.58	#3-48	#2-56	—
JT-311	II	SLE 4-50 P/S JTU, SME 4-50 P/S JTU	.58	.62	#2-56	—	.16
JT-301	II	SRE 4-50 P/S JTU, SREC 7-50 P/S JT	.58	.59	#3-48	—	.16
JT-310	III	SLE 4-50 P/S JT, SME 4-50 P/S JT	.92	.96	#2-56	—	.25
JT-300	III	SRE 4-50 P/S JT	.92	.93	#3-48	—	.25
JTC-310	IV	SLE 4-34 P/S JTC, SLE 34 & 50 P/S JTCH, SLE 11 & 34 P/S JTCH8, SLE 11 P/S JTCH9, SLE 4,7,14,20,26 & 34 P/S JTCH13, SME 4-34 P/S JTC SME 11 P/S JTCH8, SME 11 P/S JTCH9, SME 4,7,14,20,26 & 34 P/S JTCH13.	1.68	1.72	#2-56	—	.25
JTC-311	IV	SLE 44 & 50 P/S JTC, SLE 50 P/S JTC H8, SLE 50 P/S JTC H9, SME 44 & 50 P/S JTC SME 50 P/S JTC H8, SME 50 P/S JTC H9.	2.45	2.49	#2-56	—	.25
JTC-300	IV	SRE 4-34 P/S JTC, SRE 4,7,20,26,29,34 & 50 P/S JTCH, SRE 14 P/S JTCH1, SRE 11,14,34 P/S JTCH8, SRE 11 P/S JTC H9, SRE 7,14,20,26 & 34 P/S JTCH13, SREC 7-34 P/S JTC SREC 7,14,20,26 & 34 P/S JTC H13.	1.68	1.69	#3-48	—	.25
JTC-301	IV	SRE 44 & 50 P/S JTC, SRE 50 P/S JTC H8, SRE 50 P/S JTC H9, SREC 4-4 & 50 P/S JTC SREC 50 P/S JTC H8, SREC 50 P/S JTC H9.	2.45	2.46	#3-48	—	.25

23531 A

- 1 JACK-SOCKET - STAINLESS STEEL, QQ-S-764, PASSIVATING DIP.
- 2 JACKSCREW - STAINLESS STEEL, QQ-S-764, PASSIVATING DIP.
- 3 LOCKWASHER - PHOS. BRONZE, QQ-B-750, CAD. PLATE PLUS NATURAL IRIDITE.
- 4 NUT HEX - BRASS, QQ-B-626, CAD. PLATE PLUS NATURAL IRIDITE.
- 5 KNOB - STAINLESS STEEL, QQ-S-764, PASSIVATING DIP.
- 6 GROOVE PIN - CHROME VANADIUM STEEL, SAE 6150 CADMIUM PLATE PLUS CLEAR IRIDITE
- 7 KNOB - ALUMINUM, QQ-A-225, ANODIZE & SEAL IN POTASSIUM DICHROMATE
- 8 SCREW SET - STAINLESS STEEL, QQ-S-763, PASSIVATING DIP.
- 9 WASHER-SPACER - ALUMINUM, QQ-A-250, ANODIZE & SEAL IN POTASSIUM DICHROMATE.
- 10 WASHER - STAINLESS STEEL, QQ-S-766, PASSIVATING DIP.

SCANNED

REV.	CHANGE	DATE
A	REVISED PER S.O.P. C2 Eolo VEN-1287	5-20-71

TOLERANCES	
.XX	± .02
.XXX	± .007

TITLE: OUTLINE & USAGE OF STANDARD JACK SETS FOR SLE, SME, SRE & SREC

FINISH & MARK: AS NOTED

SCALE: 4:1

DR. J. RUZNIKIAN CK'D. Yc P/s AP'D. J. P. 2

DATE 3-18-68 DATE 3-20-68 DATE 3-21-68

WINCHESTER ELECTRONICS DIVISION OF LITTON INDUSTRIES INC. OAKVILLE, CONN.

DWG. NO. 23531

REV. A