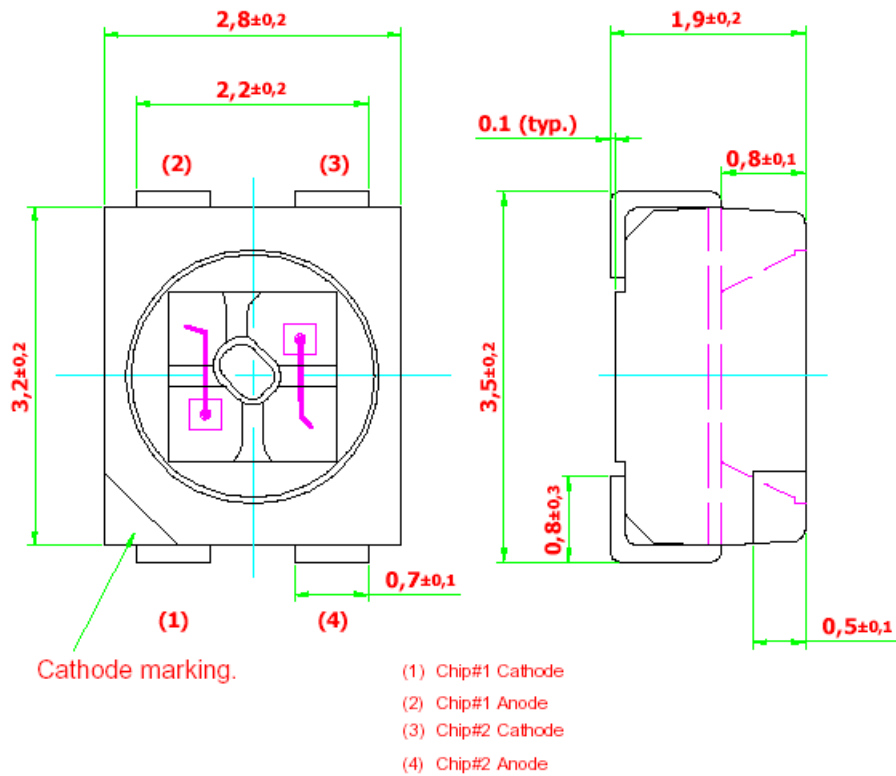




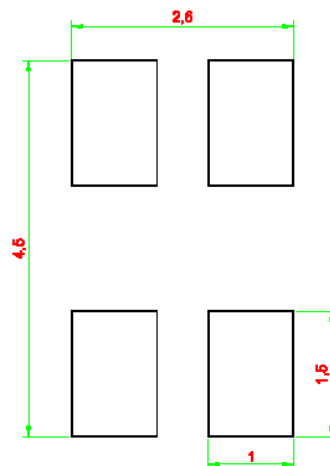
● **Feature:**

1. High brightness bi-color surface mount LED.
2. 120° viewing angle.
3. Small package outline (LxWxH) of 2.8 x 3.2 x 1.9 mm.
4. Qualified according to JEDEC moisture sensitivity Level 2.
5. Compatible to both IR reflow soldering and TTW soldering.
6. RoHS Compliance.

● **Package Dimension:**



Recommended Solder Pad





● **Optical Characteristics:**

Part Number	Color $\lambda_{dom}$ (nm)		Luminous Intensity @ $I_f = 20mA$ . $I_v$ ( mcd )	
	Chip#1	Chip#2	Chip#1	Chip#2
<b>BL-PMRG-GJS</b>  • BIN L L • BIN L M • BIN M L • BIN M M	Red	Green	<b>11.2 ... 28.5</b>	<b>11.2 ... 28.5</b>
	625	570	11.2 ... 18.0	11.2 ... 18.0
			11.2 ... 18.0	18.0 ... 28.5
			18.0 ... 28.5	11.2 ... 18.0
			18.0 ... 28.5	18.0 ... 28.5
<b>BL-PMRY-GJS</b>  • BIN L L • BIN L M • BIN M L • BIN M M	Red	Yellow	<b>11.2 ... 28.5</b>	<b>11.2 ... 28.5</b>
	625	587	11.2 ... 18.0	11.2 ... 18.0
			11.2 ... 18.0	18.0 ... 28.5
			18.0 ... 28.5	11.2 ... 18.0
			18.0 ... 28.5	18.0 ... 28.5
<b>BL-PMYG-GJS</b>  • BIN L L • BIN L M • BIN M L • BIN M M	Yellow	Green	<b>11.2 ... 28.5</b>	<b>11.2 ... 28.5</b>
	587	570	11.2 ... 18.0	11.2 ... 18.0
			11.2 ... 18.0	11.2 ... 18.0
			18.0 ... 28.5	18.0 ... 28.5
			18.0 ... 28.5	18.0 ... 28.5

Color	$V_f$ at $I_f=20mA$		Viewing Angle
	Typ.	Max	
Red / Green / Yellow	2.2	2.5	120

NOTE:

1. Luminous intensity is measured with an accuracy of  $\pm 11\%$ .
2. Half group binning for luminous intensity is also available upon request.



● **Absolute Maximum Ratings:**

Parameter	Maximum Value	Unit
DC forward current.	30	mA
Peak pulse current. ( $t_p \leq 10 \mu\text{s}$ , Duty cycle = 0.005)	1000	mA
Reverse voltage.	5	V
LED junction temperature.	125	°C
Operating temperature.	-40 ... +100	°C
Storage temperature.	-40 ... +100	°C

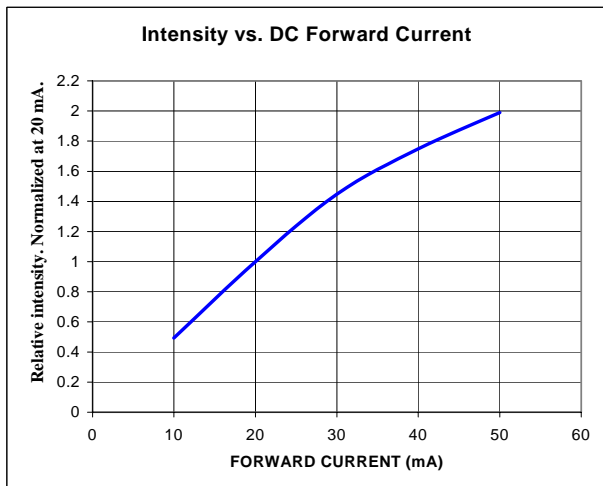
● **Wavelength Grouping:**

Color	Group	Wavelength distribution (nm)
Red	Full	620 – 635
Yellow	Full	582 – 594
	W	582 – 585
	X	585 – 588
	Y	588 - 591
	Z	591 - 594
Green	Full	564.5 – 576.5
	W	564.5 – 567.5
	X	567.5 – 570.5
	Y	570.5 – 573.5
	Z	573.5 – 576.5

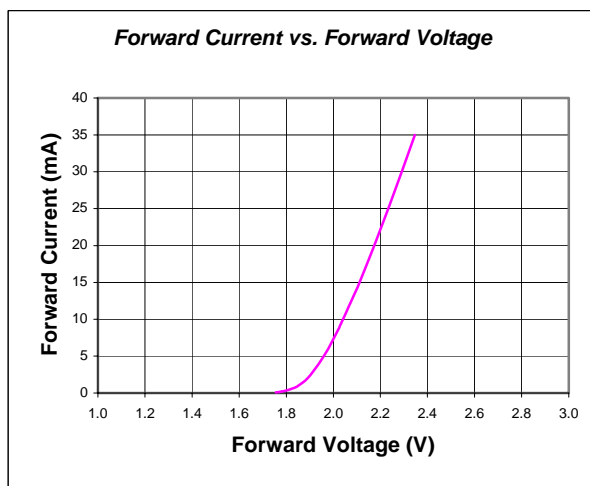


● **Typical electro-optical characteristics curves:**

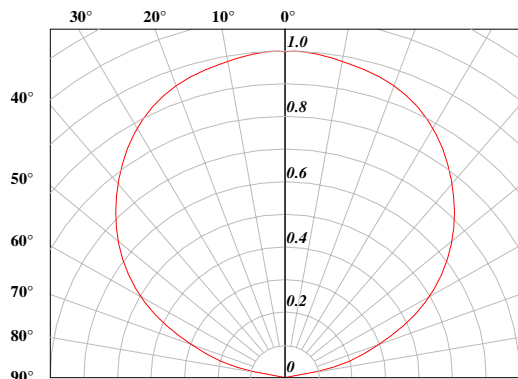
**Fig.1. Relative luminous intensity vs. forward current.**



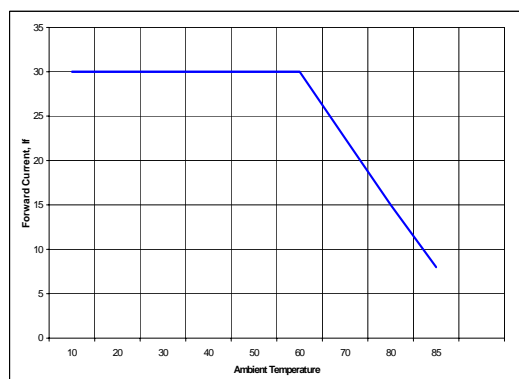
**Fig.2 Forward current vs. forward voltage.**



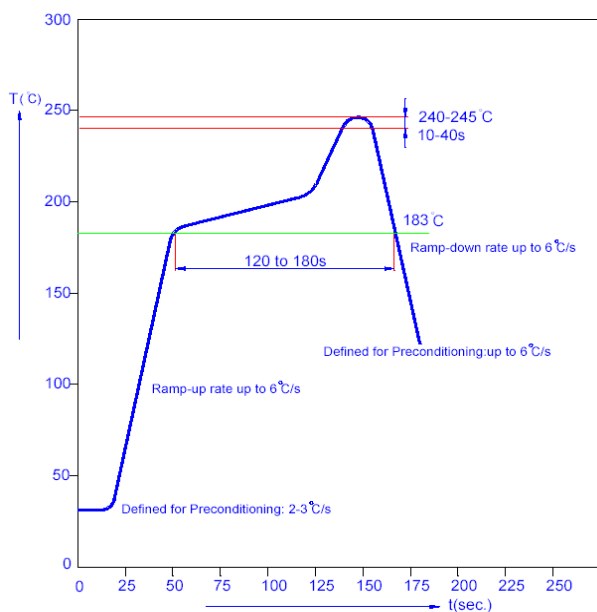
**Fig.3 Radiation pattern**



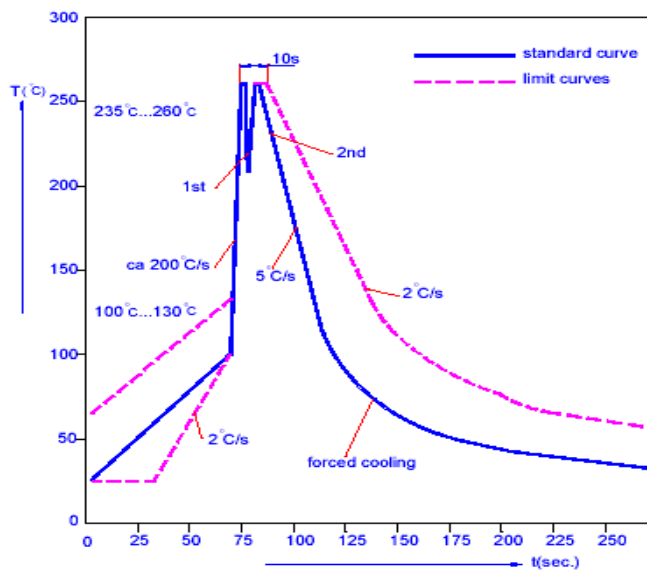
**Fig.4 Maximum forward current vs. temperature**



**Fig.5 Recommended IR-reflow Soldering Profile.**



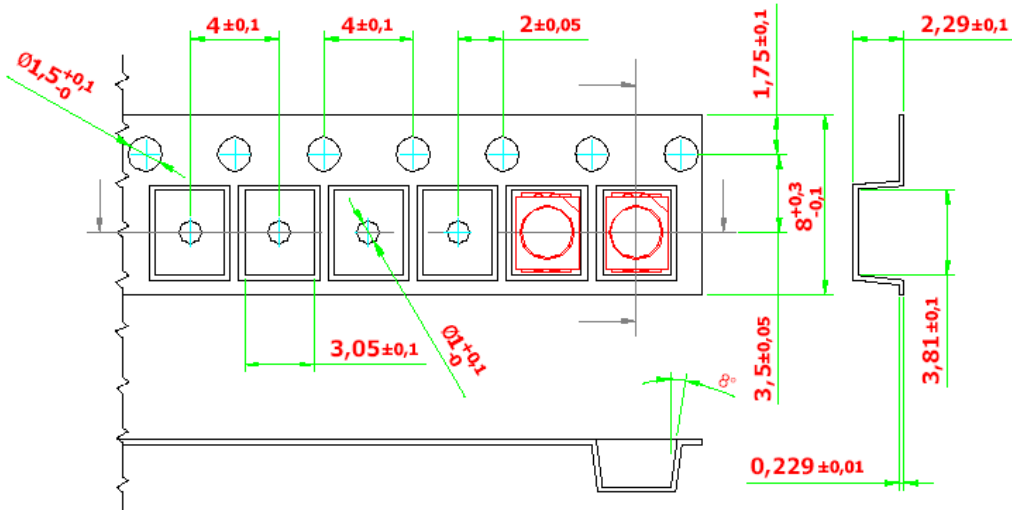
**Fig.6 Recommended TTW Soldering Profile**





● Taping And Orientation.

Reels come in quantity of 2000 units. Reel diameters 180 mm.



200 mm min. for  $\varnothing 180$  reel.

480 mm min. for  $\varnothing 180$  reel.

200 mm min. for  $\varnothing 330$  reel.

960 mm min. for  $\varnothing 330$  reel.

