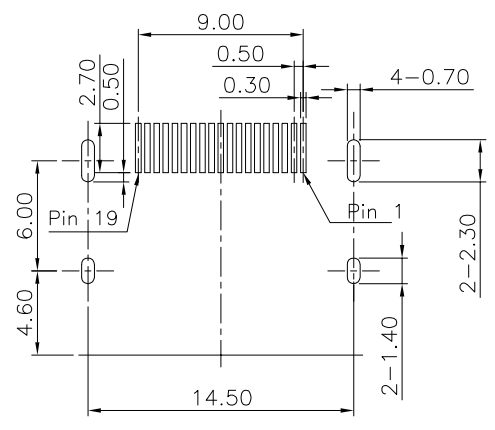
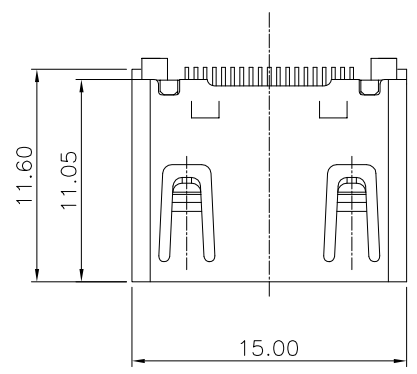
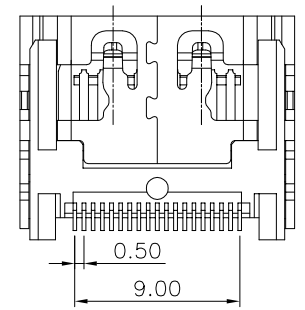
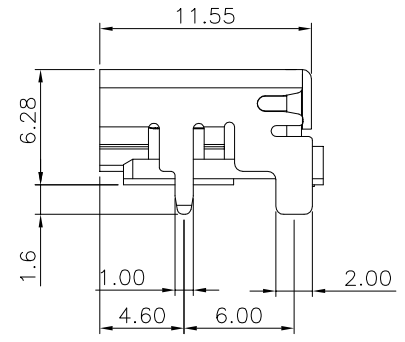
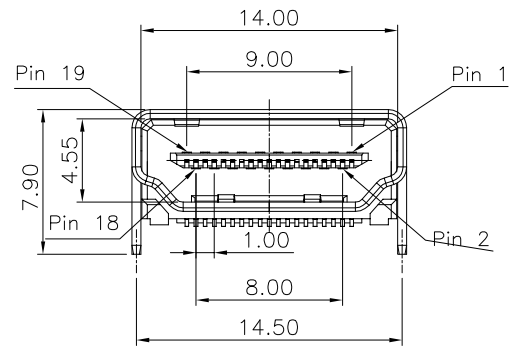


由 Autodesk 教育版产品制作




PCB LAYOUT



| 修订<br>REV<br>NO | 标记<br>MARK | 修改摘要<br>REVISION DESCRIPTION | 签名<br>SIGNATURE | 日期<br>DATE |
|-----------------|------------|------------------------------|-----------------|------------|
|                 |            | NEW DWG                      |                 | 2016-03-12 |

NOTE:  
 MATERIALS:  
 1. Housing: LCP Color: Black  
 2. Contacts: Brass  
 3. Shell: Brass Or SPCC  
 PLATING:  
 1. Contacts: Gold Plated on Contact Area  
           Matte Sn Plated on Solderails  
           Nickel Under Plated Over All  
 2. Shell: Nickel Plated

|   |       |   |     |                                |                               |       |      |             |
|---|-------|---|-----|--------------------------------|-------------------------------|-------|------|-------------|
|  |       | <b>深圳市华德共创科技有限公司</b><br>Shenzhen Huade co-create Technology Co.,LTD<br>电话: 0755-23304126 传真: 0755-29940187  |     |                                |                               |       |      |             |
| -TOLERANCES-<br>UNLESS OTHERWISE SPECIFIED<br>公差参数表                                   |       |   |     | TITLE:<br>产品名称: HDMI母座四脚插板铁壳短角 |                               |       |      |             |
| X.X   | ±0.30 | X.X*  | ±3° | APPD:<br>核准:                   | PART NO:<br>产品编号: HDMI-HX-19D |       |      |             |
| X.XX  | ±0.20 | X.XX*   | ±2° | CHECK:<br>校对: 王建业              | DATE                          | SCALE | UNIT | CODE NUMBER |
| X.XXX   | ±0.10 | X.XXX*  | ±1° | DRAW:<br>绘图: 黄艳兰               | 2016-03-12                    | 1:1   | mm   | A001        |

由 Autodesk 教育版产品制作