

Customer Information Sheet

DRAWING No.: S70-22010X045R

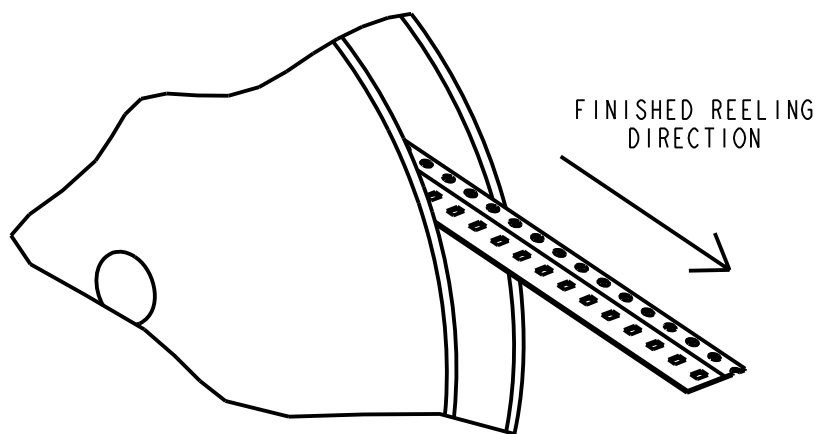
IF IN DOUBT - ASK

©

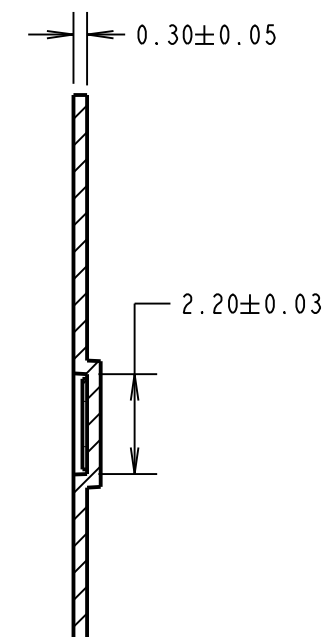
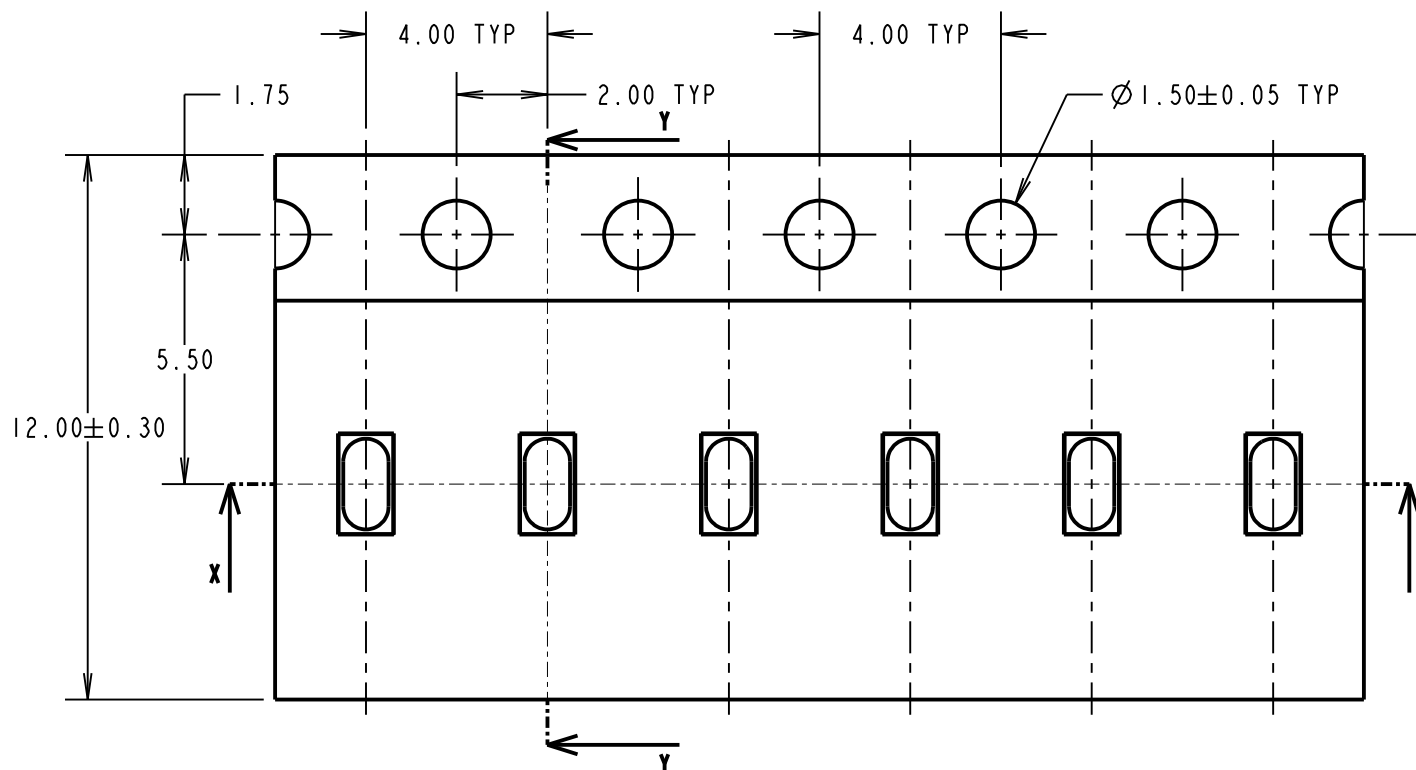
NOT TO SCALE

THIRD ANGLE PROJECTION

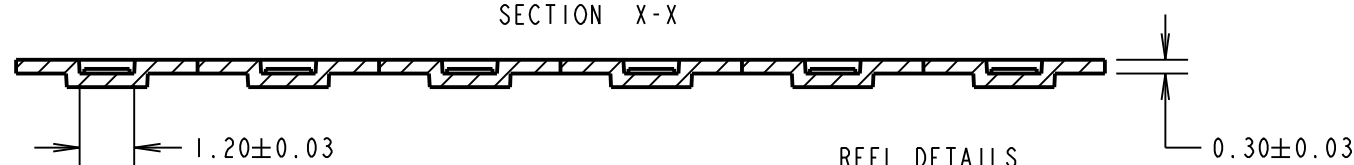
ALL DIMENSIONS IN mm



COMPONENT DETAILS

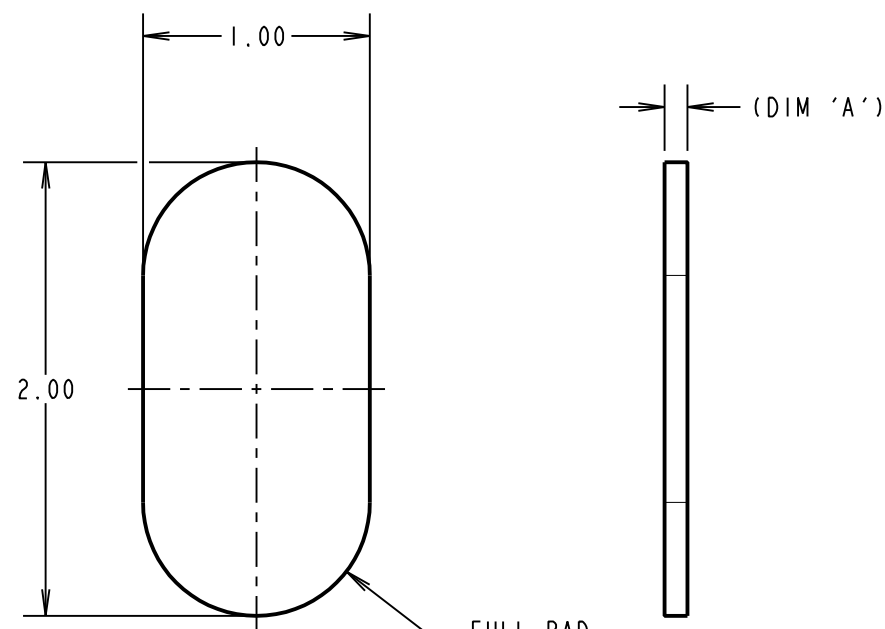


SECTION Y-Y



SECTION X-X

REEL DETAILS



FULL RAD

PART	DIM 'A'
S70-220101045R	0.10
S70-220102045R	0.20

ORDER CODE:
S70-22010XX45R

SIZE:
LENGTH _____
WIDTH _____
DIM 'A' = THICKNESS _____

SPECIFICATIONS:

FINISH:
0.025 - 0.075µ GOLD OVER 1.50 - 3µ NICKEL

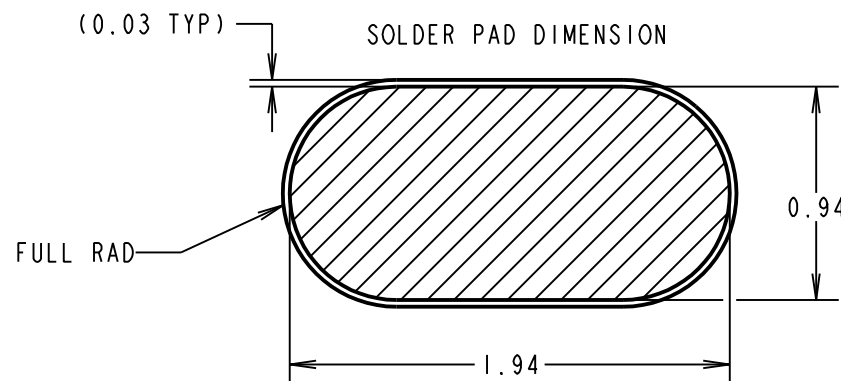
ELECTRICAL:
CURRENT RATING = 6.0A
CONTACT RESISTANCE = 0.15mΩ

ENVIRONMENTAL:
OPERATING TEMPERATURE = -40°C TO +85°C

NOTES:

1. QUANTITY OF COMPONENTS PER REEL = 9000.
2. PRODUCT IS TAPE AND REELED IN GENERAL ACCORDANCE WITH EIA-481 (ELECTRONIC INDUSTRIES ASSOCIATION).

MSP	ISS.	DATE	C/NOTE
3		21.08.17	20727
APPROVED:		M.PERREN	
CHECKED:		M.PLESTED	
DRAWN:		M.PERREN	
CUSTOMER REF.:			
ASSEMBLY DRG:			



HARWIN

www.harwin.com
technical@harwin.com

THIS DRAWING AND ANY INFORMATION OR DESCRIPTIVE MATTER SET OUT HEREON ARE CONFIDENTIAL AND COPYRIGHT PROPERTY OF THE HARWIN GROUP AND MUST NOT BE DISCLOSED, LOANED, COPIED OR USED FOR MANUFACTURING, TENDERING OR FOR ANY OTHER PURPOSE WITHOUT THEIR WRITTEN PERMISSION.

TOLERANCES

X. = ±1mm
X.X = ±0.50mm
X.XX = ±0.10mm
X.XXX = ±0.01mm

ANGLES = ±5°
UNLESS STATED

MATERIAL:

BERYLLIUM COPPER

FINISH: CLEAN

S/AREA: mm²

TITLE:

SMT POGO PIN CONTACT PAD

DRAWING NUMBER:

S70-22010XX45R

SHT
2
OF
2