

TPC-66SN TPC-66T/68T

5.7" QVGA CSTN LCD XScale PXA270
Touch Panel Computer

5.6" QVGA TFT LCD XScale PXA270
Touch Panel Computer with CAN-bus



Features

- Intel® XScale PXA processor on board
- 5.7" QVGA color STN LCD
- Super slim and compact design with plastic housing
- Fanless cooling system
- NEMA4/IP65 compliant front panel
- Built-in flash memory and Windows CE OS
- One CompactFlash® slot
- Automatic data flow control RS-485
- CAN-bus 2.0B supported (TPC-68T)

Introduction

The TPC-66S models are compact platforms without redundant functions, which have been designed for small-sized operator interface applications. They have 5.7" STN LCD display which is a cost effective choice for a limited budget. Its RISC kernel, the Intel XScale PXA processor consumes minimum power without sacrificing performance. The TPC-66S has 10/100Base-T Ethernet port offering solid communication ability and comes bundled with a Windows CE OS that supports Thin-Client solutions. The built-in Windows CE OS platform lets TPC-66S become an Open HMI solution for system integration.

Specifications

General

- **Certifications** BSMI, CCC, CE, FCC, UL
- **Cooling System** Fanless design
- **Dimensions (W x H x D)** 195 x 148 x 44.4 mm (7.68" x 5.83" x 1.75")
- **Enclosure** ABS
- **Mounting** Panel Mount
- **OS Support** Windows CE 5.0/4.2
- **Power Consumption** TPC-66SN/66T: 12 W (typical)
TPC-68T: 15 W (typical)
- **Power Input** 18 ~ 32 V_{DC}
- **Watchdog Timer** Programmable as 250 ms, 500 ms, 1 second
- **Weight (Net)** 0.8 kg (1.76 lb)

System Hardware

- **CPU** Intel XScale PXA270 416 MHz
- **Expansion Slots** 1 x CompactFlash slot
- **LAN** 1 x 10/100Base-T
- **Memory** 64 MB SDRAM on board
- **Serial Ports** 2 x full RS-232
1 x 4-pin RS-232/485 (TPC-66SN/66T)
1 x CAN-Bus 2.0b/RS-485 (TPC-68T)
- **Storage** 64 MB Flash memory on board
- **USB Ports** 2 x USB 1.1 (one host, one client)
- **CAN Port** TPC-68T: 1 x Isolated CAN 2.0B interface
CAN Controller: SJA-1000
CAN Transceiver: 82C250

LCD Display

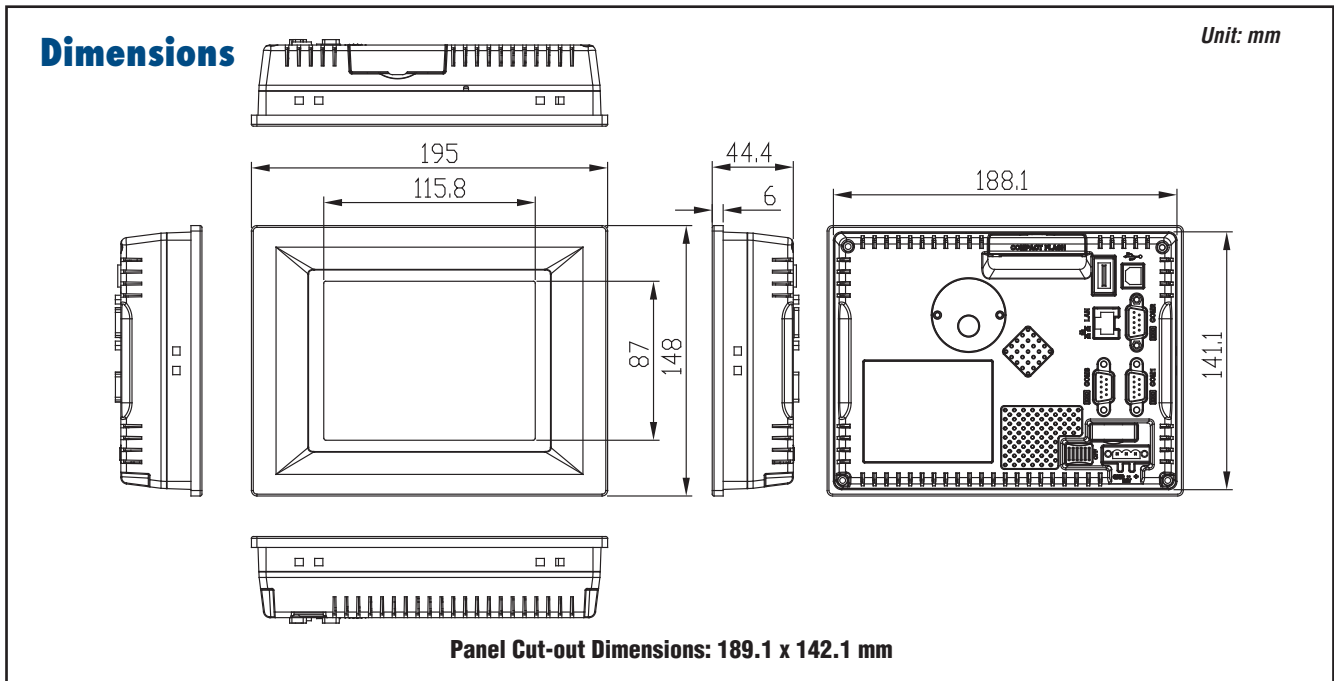
	TPC-66SN	TPC-66T/68T
▪ Display Type	QVGA CSTN LCD	QVGA TFT LCD
▪ Display Size	5.7"	5.6"
▪ Max. Resolution	320 x 240	320 x 234
▪ Max. Colors	64 K	64 K
▪ Luminance cd/m²	400	500
▪ Viewing Angle (H/V°)	100/55	100/60
▪ Backlight Life	60,000 hrs	50,000 hrs
▪ Contrast Ratio	55 : 1	400 : 1

Touchscreen

- **Lifespan** 10 millions times with a silicone rubber of 8 mm diameter finger
- **Light Transmission** Above 75%
- **Resolution** Linearity
- **Type** 4-wire, analog resistive

Environment

- **Humidity** 10 ~ 95% RH @ 40° C, non-condensing
- **Ingress Protection** Front panel: NEMA4, IP65
- **Operating Temperature** 0 ~ 50° C (32 ~ 122° F)
- **Storage Temperature** -20 ~ 60° C (-4 ~ 140° F)
- **Vibration Protection** 1 Grms (Random, Operating)



Ordering Information

- **TPC-66SN-E2AE** 5.7" QVGA CSTN LCD with Intel PXA270, 416 MHz CPU, 64 MB DRAM, WinCE 5.0
- **TPC-66T-E2AE** 5.6" QVGA TFT LCD with Intel PXA270, 416 MHz CPU, 64 MB DRAM, WinCE 5.0
- **TPC-68T-E2AE** TPC-66T-E2E with CAN-bus Support
- **PWR-247-AE** 24 V 50 W AC-DC Power Adapter

Rear View

TPC-66SN/66T/68T

