



2017-V1.0-0704

Specifications

Constant Current LED Power Supplies

LV Series, 10~15W

PAIRUI ELECTRONICS

No. 545 Museum Road
Yangzhou, Jiangsu
China 225009

Tel: 86 (514) 8279 1592

Fax: 86 (514) 8769 3159

2017

LED Power Supplies for Indoor Use

LV SERIES, 10~15WATT, IP20 RATING

Features

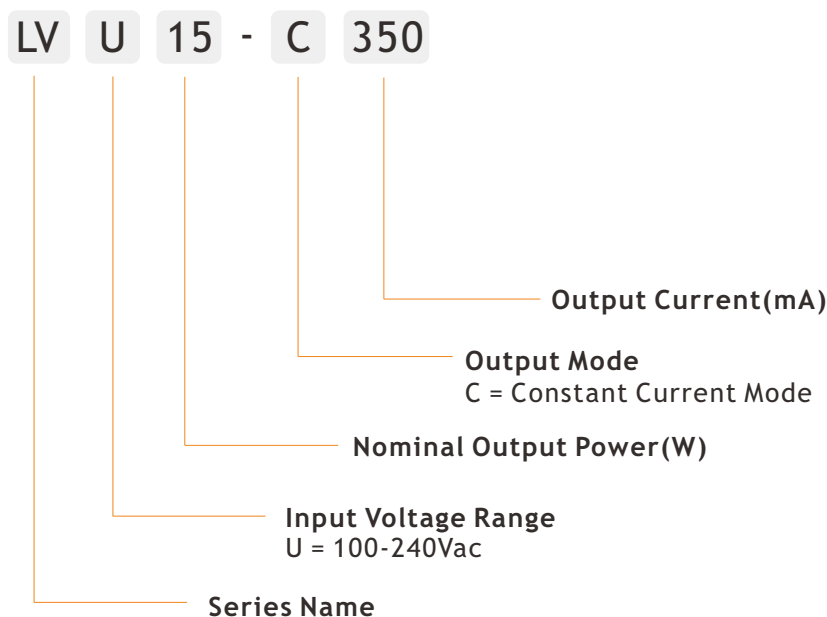
- 3 Year Warranty
- Wide Input Voltage Range: 100~240Vac
- Constant Current Output Mode
- Waterproof Rating IP20
- Built-in Active Power Factor Correction
- Short Circuit, Over Voltage, and Over Current Protections
- Class II Power, no FG



Applications

- ✓ Panel Light
- ✓ Down Light
- ✓ Recessed Light
- ✓ Cabinet Light
- ✓ Other Indoor used Lights

Electrical



Electrical

Part Number	Nominal Input Voltage	Output Current Output Voltage	No Load Output Voltage	Ripple	Certificate
10W					
LVU10-C200	100-240VAC	200mA(27-42V)	48V	50%	CE
LVU10-C250	100-240VAC	250mA(27-42V)	48V	50%	CE
LVU10-C300	100-240VAC	300mA(18-33V)	40V	50%	CE
LVU10-C350	100-240VAC	350mA(18-33V)	40V	50%	CE
10~15W					
LVU15-C300	100-240VAC	300mA(18-33V)	40V	50%	CE
LVU15-C350	100-240VAC	350mA(27-42V)	48V	50%	CE
LVU15-C400	100-240VAC	400mA(27-42V)	48V	50%	CE
LVU15-C450	100-240VAC	450mA(27-42V)	48V	50%	CE
LVU15-C700	100-240VAC	700mA(14-21V)	25V	50%	CE

NOTE: Other output models are may available on request.

INPUT

PARAMETER	CONDITIONS	MIN	TYP	MAX	UNITS
Input frequency		47		63	Hz
Input current	Full load, Vin=110Vac Full load, Vin=220Vac		0.2 0.1		A A
Inrush current	Cold start, Vin=230Vac			25	A
Power factor(PF)	Full load, Vin=110Vac Full load, Vin=220Vac		0.93 0.9		
Efficiency	Full load, Vin=110Vac Full load, Vin=220Vac		85 87		% %
Surge voltage	L-N		2		KV

OUTPUT

PARAMETER	CONDITIONS	MIN	TYP	MAX	UNITS
Output current accuracy			5		%
Line regulation	Vin from 100Vac to 240Vac		5		%
Load regulation	Vout from min. to max.		5		%
Output current overshoot	Turning on			10	%
Turn-on delay time	Cold start, power on		2		S
Ripple			50%Io		mAp-p
THD	Full load, Vin=220Vac			20	%

Protection

Short circuit	In hiccup mode, it will recover automatically after fault condition is removed
Over voltage	110-150% Vout, it will recover automatically after fault condition is removed
Over current	In hiccup mode, it will recover automatically after fault condition is removed

Environment

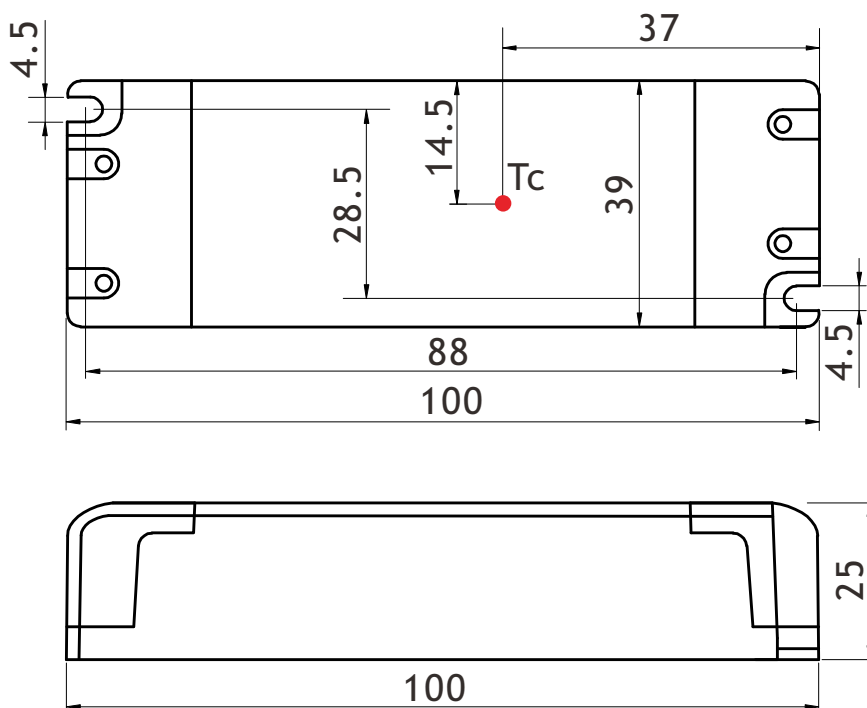
PARAMETER	CONDITIONS	MIN	TYP	MAX	UNITS
Ambient operating temperature	Startup at rated voltage	-25		+50	°C
Operating relative humidity	Non condensing	20		90	%
Storage temperature	Humidity 10 ~ 95% RH	-40		+80	°C
Maximum case temperature	Hot-spot on case			+75	°C
MTBF	Full load, 220Vac input, 25°C ambient temperature	400			Khrs
Waterproof rating	IP20				
Dimension(LxWxH)	100.0 x 39.0 x 25.0mm				
Weight	100g				

Safety/EMC

Safety	Design refer to EN61347-1, EN61347-2-13
EMC	Compliance to EN55015, FCC Part 15 Class B, EN61000-3-2, EN61000-3-3, EN61000-4-2, 3, 4, 5, 6, 8, 11, EN61547

NOTE: Unless otherwise specified, all the above parameters are measured at ambient temperature of 25°C and Vin=100Vac to 240Vac.

Mechanical



Unit: mm

Electrical Curve

