

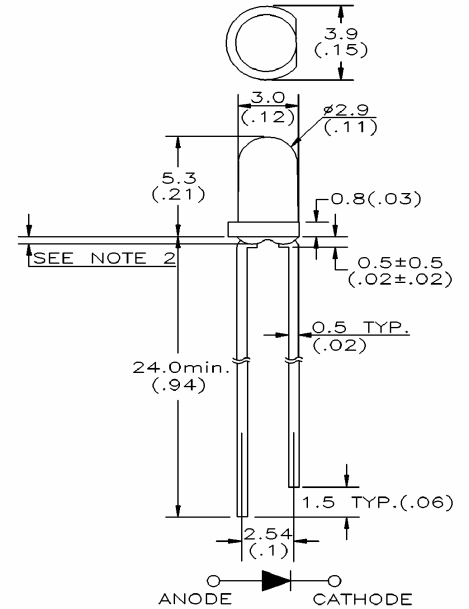
MT7183A-UR

Features

High Intensity
 IC Compatible
 Low Current Requirements
 Red Diffused Lens
 Reliable and Rugged

Maximum Ratings (Ta=25°C)

Characteristic	Symbol	Max.	Unit
Forward Current	I _F	30	mA
Reverse Voltage	V _R	4	V
Power Dissipation	P _D	72.00	mW
Operating Temperature	T _{opr}	-25 ~ +85	°C
Storage Temperature	T _{stg}	-40 ~ +100	°C
Soldering Temperature	T _{sol}	260	°C
Soldering Time	-	for 5 sec. max	-



Notes :

1. All dimensions are in millimeters (inches).
2. Protruded resin under flange is 1.0mm (.04") max.
3. Tolerance is ±0.25mm (0.01") unless otherwise noted.

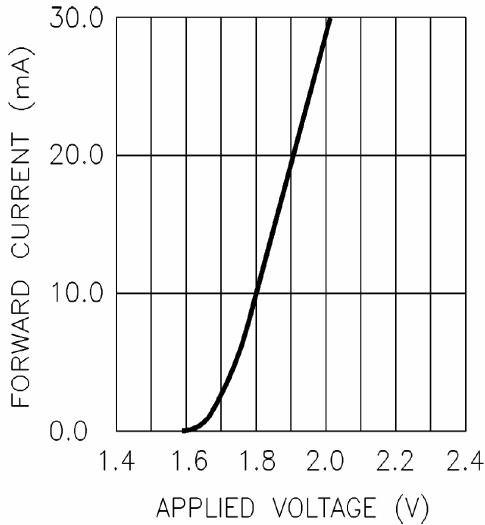
Opto-Electrical Characteristics (Ta=25°C)

Characteristic	Symbol	Test Condition	Min	Typ	Max	Unit
Forward Voltage	V _F	I _F =20mA	-	1.90	2.40	V
Reverse Current	I _R	V _R =4V	-	-	100	μ A
Luminous Intensity	I _v	I _F =20mA	90.00	150.00	-	mcd
Viewing Angle	2θ ^{1/2}	-	-	25°	-	deg.
Peak Wavelength	λ _p	I _F =20mA	-	660	-	nm
Dominant Wavelength	λ _d	I _F =20mA	-	643	-	nm
Spectral Line Half Width	Δλ	I _F =20mA	-	20	-	nm

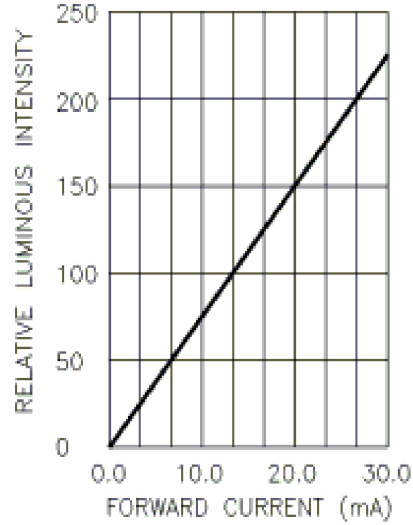
Specification is subject to change without notice.

MT7183A-UR Graphs

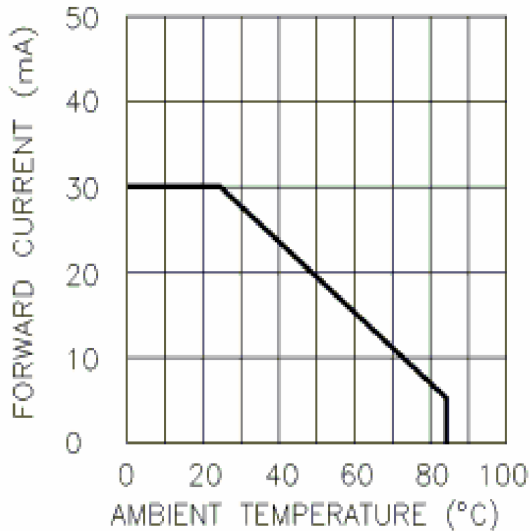
Typical Electrical / Optical Characteristics Curves :



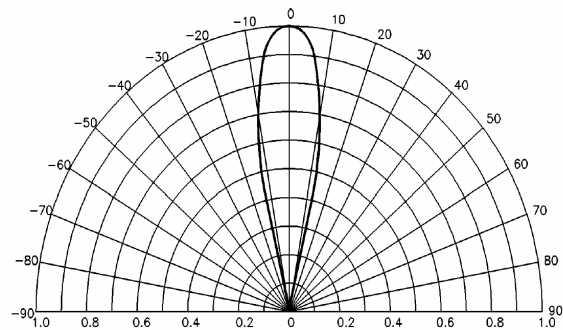
Forward Current vs. Forward Voltage



Forward Current vs.
Relative Luminous Intensity



Ambient Temperature vs. Forward Current



Radiation Diagram