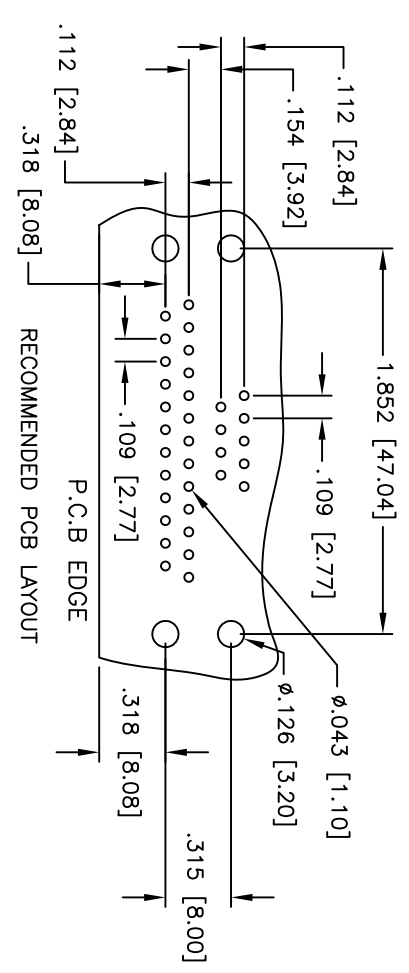
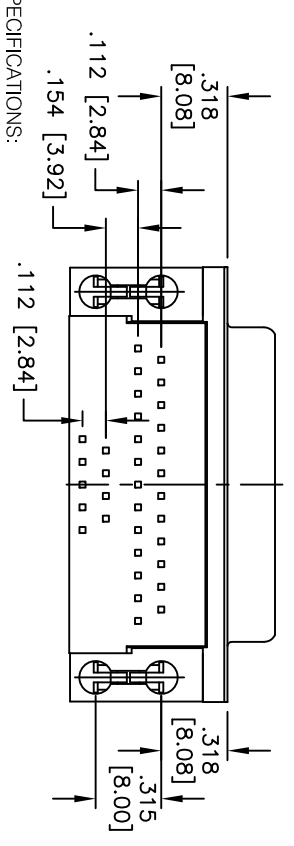
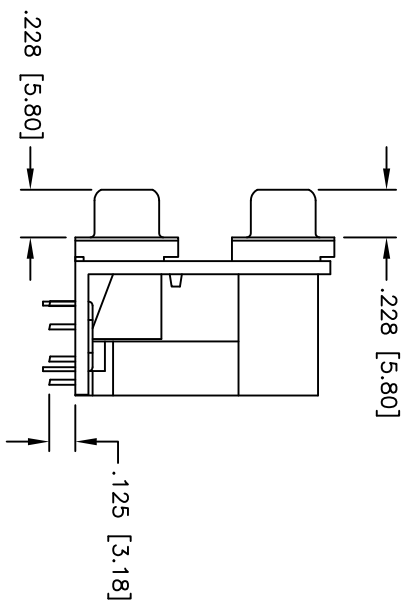
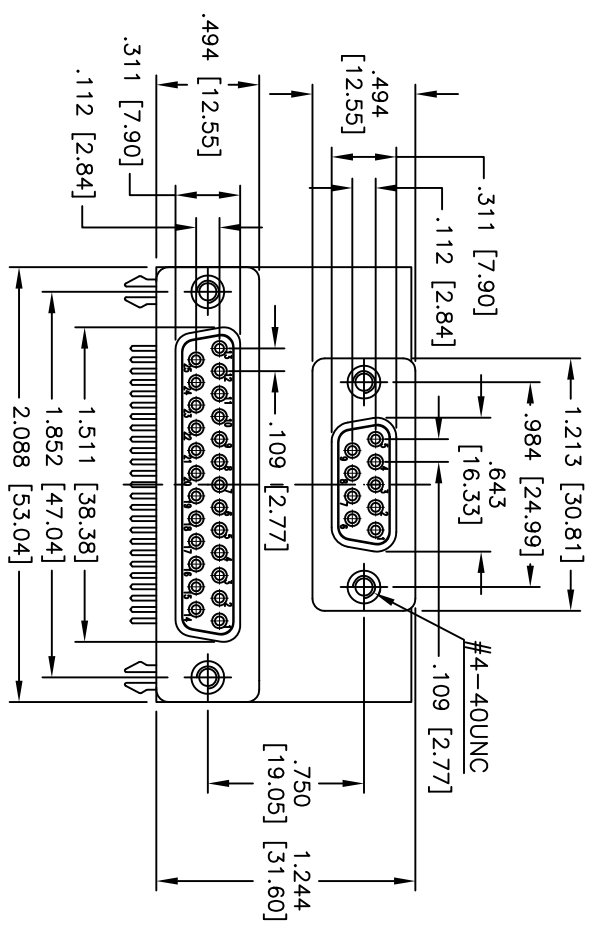


Rev	AWO #	Description	Date	Appr
-		RELEASED	6/03/10	

APPROVED: _____
 DATE: _____ TITLE: _____



SPECIFICATIONS:
 Material: Insulator: PBT, rated UL 94V-0
 Insulator color: Black
 Contacts: Copper Alloy
 Shell: SPCC, Nickel plated
 Plating: Gold flash over Nickel underplate on contact area, Tin over Nickel underplate on solder tails.
 Electrical: Current rating: 3 Amps max.
 Contact resistance: 25 mohms max. initial
 Insulation resistance: 5,000 Mohms min.
 Dielectric withstanding voltage: 1,000 VAC for 1 minute
 Temperature Rating: Operating temperature: -55°C to +85°C
 Environmental: Lead free, RoHS compliant
 Recommended soldering temp: 235°C for 5 seconds

UNLESS OTHERWISE SPECIFIED ALL DIMENSIONS ARE INCHES [MM]	
TOLERANCES: EXCEPT AS NOTED	
INCHES	HOLES
.X ± .10	± .10
.XX ± .020	± .015
.XXX ± .015	± .010
APPROVALS	DATE
DRAWN	DY
CHECKED	
APPROVED	

ADAM TECH
 909 Rahway Avenue, Union, NJ 07083
 Phone: 908-687-5000 Fax: 908-687-5710

TITLE: **DUAL PORT D-SUB, 09 FEMALE /25 ENALE**

SIZE	PART NO.	REV.
X	DPD-09/25-00-B3	
REF:	S0002T	SCALE: NTS
		SHEET 1 OF 1