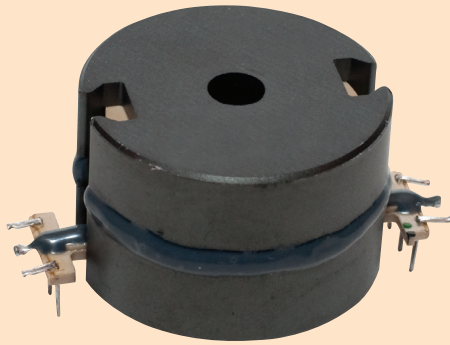


RL-7300

ULTRA-HIGH INDUCTANCE, SHIELDED POWER POTS™



DESCRIPTION

- Shielded Power Pots™
- Ultra High Inductance

ENVIRONMENTAL DATA

- Storage temperature range: -55°C to +130°C
- Operating temperature range: -40°C to +130°C

PACKAGING INFORMATION

- Packaging information: pg. 495

FEATURES & APPLICATIONS

- Wide range of ultrahigh inductances from 10 mH to 1H
- 5 different sizes handling currents from 12 mA up to 1A
- Capable of handling DC currents, while maintaining a stable inductance due to high saturation and self-shielding
- Easy-to-mount electrical component useful in telecommunication, audio and automotive applications
- Typical applications include: DC chokes, differential mode chokes, filters, switching circuits, and low power supplies

Verify operation with sample in actual circuit. Order samples at www.rencousa.com.

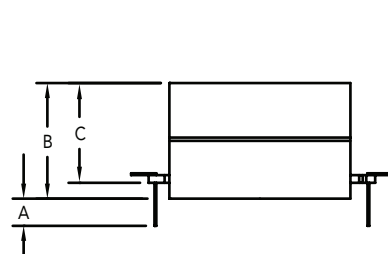
MECHANICAL DIMENSIONS

U.S. Standard (mm)

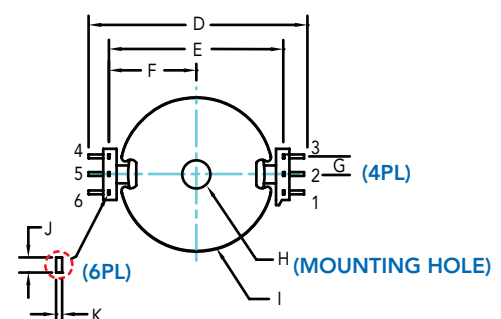
PART NUMBER	A (MIN.)	B (MAX.)	C (MAX.)	D (MAX.)	E (TYP.)	F (TYP.)	
RL-7300-1	0.160 (4.06)	0.337 (8.56)	0.335 (8.51)	0.940 (23.88)	0.634 (16.10)	0.317 (8.05)	
RL-7300-2	0.160 (4.06)	0.423 (10.74)	0.420 (10.67)	1.160 (29.46)	0.846 (21.49)	0.423 (10.74)	
RL-7300-3	0.160 (4.06)	0.535 (13.59)	0.500 (12.70)	1.300 (33.02)	0.984 (25.00)	0.492 (12.50)	
RL-7300-4	0.130 (3.30)	0.642 (16.31)	0.610 (15.49)	1.450 (36.83)	1.122 (28.50)	0.561 (14.25)	
RL-7300-5	0.125 (3.18)	0.748 (19.00)	0.700 (17.78)	1.720 (43.69)	1.410 (35.81)	0.706 (17.93)	

PART NUMBER	G (TYP.)	H (MAX.)	I (MAX.)	J (TYP.)	K (TYP.)	PART WEIGHT
RL-7300-1	N/A*	0.125 (3.18)	0.613 (15.57)	0.030 (0.76)	0.018 (0.46)	4.0g (0.14oz)
RL-7300-2	0.140 (3.55)	0.125 (3.18)	0.774 (19.66)	0.030 (0.76)	0.018 (0.46)	10.0g (0.35oz)
RL-7300-3	0.140 (3.55)	0.125 (3.18)	0.916 (23.27)	0.030 (0.76)	0.018 (0.46)	18.0g (0.64oz)
RL-7300-4	0.140 (3.55)	0.125 (3.18)	1.070 (27.18)	0.030 (0.76)	0.018 (0.46)	30.0g (1.06oz)
RL-7300-5	0.140 (3.55)	0.125 (3.18)	1.250 (31.75)	0.030 (0.76)	0.018 (0.46)	50.0g (1.76oz)

FRONT VIEW



SIDE VIEW



*RL-7300-1 CONTAINS ONLY 4 PINS, PINS 2 & 5 ARE OMITTED. SPACING BETWEEN PINS IS 0.140 (3.55)

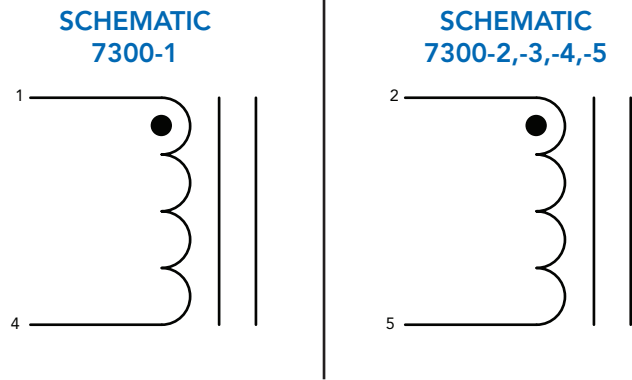


RENCO ELECTRONICS INC.

595 International Place, Rockledge, FL 32955-4200 USA • www.rencousa.com • ISO 9001 Certified
Toll Free Engineering Hot Line: 800.645.5828 • P: 321.637.1000 • F: 321.637.1600



RL-7300-1



Renco Part No. RL-7300-1	Inductance (mH)	DCR Max. (Ohms)	Isat (mA)	Irms (mA)
RL-7300-1-10	10.0	6.0	150.0	130.0
RL-7300-1-12	12.0	7.0	140.0	130.0
RL-7300-1-15	15.0	9.0	125.0	100.0
RL-7300-1-18	18.0	10.0	110.0	100.0
RL-7300-1-22	22.0	11.0	100.0	100.0
RL-7300-1-27	27.0	15.0	90.0	80.0
RL-7300-1-33	33.0	17.0	85.0	80.0
RL-7300-1-47	47.0	25.0	72.0	65.0
RL-7300-1-56	56.0	27.0	63.0	65.0
RL-7300-1-68	68.0	37.0	60.0	50.0
RL-7300-1-82	82.0	46.0	54.0	50.0
RL-7300-1-100	100.0	58.0	50.0	40.0
RL-7300-1-120	120.0	66.0	45.0	40.0
RL-7300-1-150	150.0	89.0	41.0	30.0
RL-7300-1-180	180.0	100.0	36.0	30.0
RL-7300-1-220	220.0	113.0	34.0	30.0
RL-7300-1-270	270.0	147.0	30.0	25.0
RL-7300-1-330	330.0	167.0	28.0	25.0
RL-7300-1-470	470.0	255.0	24.0	25.0
RL-7300-1-560	560.0	345.0	22.0	20.0
RL-7300-1-680	680.0	380.0	21.0	15.0
RL-7300-1-820	820.0	495.0	19.0	12.5
RL-7300-1-1000	1000.0	565.0	18.0	12.5

NOTES:

1. INDUCTANCE $\pm 15\%$ TESTED AT 1 kHz, 0.1 Vrms
2. 1000V DIELECTRIC WITHSTANDING BETWEEN WINDING AND CORE
3. ELECTRICAL SPECIFICATIONS MEASURED AT 25°C
4. Isat - DC CURRENT THAT WILL CAUSE INDUCTANCE TO DROP BY 10%
5. Irms - CURRENT THAT CAUSES THE TEMPERATURE TO RISE APPROX. 40°C ABOVE AMBIENT OF 25°C



RENCO ELECTRONICS INC.

595 International Place, Rockledge, FL 32955-4200 USA • www.rencousa.com • ISO 9001 Certified
Toll Free Engineering Hot Line: 800.645.5828 • P: 321.637.1000 • F: 321.637.1600



RL-7300-2

Renco Part No. RL-7300-2	Inductance (mH)	DCR Max. (Ohms)	Isat (mA)	Irms (mA)
RL-7300-2-10	10.0	3.5	285.0	250.0
RL-7300-2-12	12.0	4.0	245.0	250.0
RL-7300-2-15	15.0	4.5	220.0	250.0
RL-7300-2-18	18.0	6.0	195.0	210.0
RL-7300-2-22	22.0	6.8	175.0	210.0
RL-7300-2-27	27.0	9.1	160.0	210.0
RL-7300-2-33	33.0	11.0	140.0	165.0
RL-7300-2-47	47.0	16.0	120.0	130.0
RL-7300-2-56	56.0	18.0	120.0	125.0
RL-7300-2-68	68.0	24.0	110.0	100.0
RL-7300-2-82	82.0	26.0	83.0	100.0
RL-7300-2-100	100.0	36.0	83.0	80.0
RL-7300-2-120	120.0	40.0	74.0	80.0
RL-7300-2-150	150.0	55.0	64.0	65.0
RL-7300-2-180	180.0	60.0	61.0	65.0
RL-7300-2-220	220.0	82.0	60.0	50.0
RL-7300-2-270	270.0	117.0	55.0	40.0
RL-7300-2-330	330.0	131.0	50.0	40.0
RL-7300-2-470	470.0	167.0	38.0	40.0
RL-7300-2-560	560.0	218.0	35.0	30.0
RL-7300-2-680	680.0	246.0	33.0	30.0
RL-7300-2-820	820.0	277.0	31.0	30.0
RL-7300-2-1000	1000.0	361.0	31.0	25.0

NOTES:

1. INDUCTANCE $\pm 15\%$ TESTED AT 1 kHz, 0.1 Vrms
2. 1000V DIELECTRIC WITHSTANDING BETWEEN WINDING AND CORE
3. ELECTRICAL SPECIFICATIONS MEASURED AT 25°C
4. Isat - DC CURRENT THAT WILL CAUSE INDUCTANCE TO DROP BY 10%
5. Irms - CURRENT THAT CAUSES THE TEMPERATURE TO RISE APPROX. 40°C ABOVE AMBIENT OF 25°C



RENCO ELECTRONICS INC.

595 International Place, Rockledge, FL 32955-4200 USA • www.rencousa.com • ISO 9001 Certified
Toll Free Engineering Hot Line: 800.645.5828 • P: 321.637.1000 • F: 321.637.1600



RL-7300-3

Renco Part No. RL-7300-3	Inductance (mH)	DCR Max. (Ohms)	Isat (mA)	Irms (mA)
RL-7300-3-10	10.0	2.9	400.0	425.0
RL-7300-3-12	12.0	3.0	375.0	425.0
RL-7300-3-15	15.0	4.0	330.0	425.0
RL-7300-3-18	18.0	5.0	300.0	330.0
RL-7300-3-22	22.0	6.0	280.0	325.0
RL-7300-3-27	27.0	7.0	260.0	260.0
RL-7300-3-33	33.0	8.0	225.0	250.0
RL-7300-3-47	47.0	12.0	185.0	210.0
RL-7300-3-56	56.0	13.0	175.0	210.0
RL-7300-3-68	68.0	18.0	160.0	165.0
RL-7300-3-82	82.0	21.0	145.0	165.0
RL-7300-3-100	100.0	28.0	132.0	120.0
RL-7300-3-120	120.0	32.0	118.0	120.0
RL-7300-3-150	150.0	42.0	105.0	100.0
RL-7300-3-180	180.0	47.0	97.0	100.0
RL-7300-3-220	220.0	54.0	90.0	100.0
RL-7300-3-270	270.0	73.0	80.0	80.0
RL-7300-3-330	330.0	82.0	72.0	80.0
RL-7300-3-470	470.0	121.0	61.0	65.0
RL-7300-3-560	560.0	160.0	57.0	50.0
RL-7300-3-680	680.0	180.0	50.0	50.0
RL-7300-3-820	820.0	255.0	47.0	40.0
RL-7300-3-1000	1000.0	290.0	44.0	40.0

NOTES:

1. INDUCTANCE $\pm 15\%$ TESTED AT 1 kHz, 0.1 Vrms
2. 1000V DIELECTRIC WITHSTANDING BETWEEN WINDING AND CORE
3. ELECTRICAL SPECIFICATIONS MEASURED AT 25°C
4. Isat - DC CURRENT THAT WILL CAUSE INDUCTANCE TO DROP BY 10%
5. Iirms - CURRENT THAT CAUSES THE TEMPERATURE TO RISE APPROX. 40°C ABOVE AMBIENT OF 25°C



RENCO ELECTRONICS INC.

595 International Place, Rockledge, FL 32955-4200 USA • www.rencousa.com • ISO 9001 Certified
Toll Free Engineering Hot Line: 800.645.5828 • P: 321.637.1000 • F: 321.637.1600



RL-7300-4

Renco Part No. RL-7300-4	Inductance (mH)	DCR Max. (Ohms)	Isat (mA)	Irms (mA)
RL-7300-4-10	10.0	2.1	640.0	670.0
RL-7300-4-12	12.0	2.3	600.0	670.0
RL-7300-4-15	15.0	3.2	540.0	525.0
RL-7300-4-18	18.0	3.5	490.0	525.0
RL-7300-4-22	22.0	4.0	450.0	535.0
RL-7300-4-27	27.0	5.5	404.0	425.0
RL-7300-4-33	33.0	7.5	360.0	330.0
RL-7300-4-47	47.0	9.5	305.0	330.0
RL-7300-4-56	56.0	11.5	280.0	260.0
RL-7300-4-68	68.0	13.0	255.0	250.0
RL-7300-4-82	82.0	18.0	230.0	210.0
RL-7300-4-100	100.0	20.0	210.0	210.0
RL-7300-4-120	120.0	28.0	190.0	165.0
RL-7300-4-150	150.0	32.0	172.0	165.0
RL-7300-4-180	180.0	43.0	158.0	120.0
RL-7300-4-220	220.0	48.0	143.0	120.0
RL-7300-4-270	270.0	55.0	131.0	120.0
RL-7300-4-330	330.0	73.0	118.0	100.0
RL-7300-4-470	470.0	92.0	98.0	100.0
RL-7300-4-560	560.0	122.0	92.0	80.0
RL-7300-4-680	680.0	138.0	81.0	80.0
RL-7300-4-820	820.0	182.0	77.0	65.0
RL-7300-4-1000	1000.0	206.0	70.0	65.0

NOTES:

1. INDUCTANCE $\pm 15\%$ TESTED AT 1 kHz, 0.1 Vrms
2. 1000V DIELECTRIC WITHSTANDING BETWEEN WINDING AND CORE
3. ELECTRICAL SPECIFICATIONS MEASURED AT 25°C
4. Isat - DC CURRENT THAT WILL CAUSE INDUCTANCE TO DROP BY 10%
5. I rms - CURRENT THAT CAUSES THE TEMPERATURE TO RISE APPROX. 40°C ABOVE AMBIENT OF 25°C



RENCO ELECTRONICS INC.

595 International Place, Rockledge, FL 32955-4200 USA • www.rencousa.com • ISO 9001 Certified
Toll Free Engineering Hot Line: 800.645.5828 • P: 321.637.1000 • F: 321.637.1600



RL-7300-5

Renco Part No. RL-7300-5	Inductance (mH)	DCR Max. (Ohms)	Isat (mA)	Irms (mA)
RL-7300-5-10	10.0	1.5	980.0	1000.0
RL-7300-5-12	12.0	2.0	890.0	825.0
RL-7300-5-15	15.0	2.3	810.0	825.0
RL-7300-5-18	18.0	3.2	750.0	650.0
RL-7300-5-22	22.0	3.5	670.0	650.0
RL-7300-5-27	27.0	4.0	670.0	650.0
RL-7300-5-33	33.0	6.0	560.0	525.0
RL-7300-5-47	47.0	8.0	460.0	425.0
RL-7300-5-56	56.0	9.0	425.0	425.0
RL-7300-5-68	68.0	12.5	370.0	300.0
RL-7300-5-82	82.0	13.5	350.0	300.0
RL-7300-5-100	100.0	18.0	320.0	250.0
RL-7300-5-120	120.0	20.0	280.0	250.0
RL-7300-5-150	150.0	23.0	260.0	250.0
RL-7300-5-180	180.0	32.0	230.0	200.0
RL-7300-5-220	220.0	36.0	210.0	200.0
RL-7300-5-270	270.0	50.0	190.0	165.0
RL-7300-5-330	330.0	65.0	170.0	125.0
RL-7300-5-470	470.0	82.0	150.0	125.0
RL-7300-5-560	560.0	110.0	130.0	125.0
RL-7300-5-680	680.0	123.0	120.0	100.0
RL-7300-5-820	820.0	138.0	110.0	100.0
RL-7300-5-1000	1000.0	188.0	100.0	80.0

NOTES:

1. INDUCTANCE $\pm 15\%$ TESTED AT 1 kHz, 0.1 Vrms
2. 1000V DIELECTRIC WITHSTANDING BETWEEN WINDING AND CORE
3. ELECTRICAL SPECIFICATIONS MEASURED AT 25°C
4. Isat - DC CURRENT THAT WILL CAUSE INDUCTANCE TO DROP BY 10%
5. Irms - CURRENT THAT CAUSES THE TEMPERATURE TO RISE APPROX. 40°C ABOVE AMBIENT OF 25°C



RENCO ELECTRONICS INC.

595 International Place, Rockledge, FL 32955-4200 USA • www.rencousa.com • ISO 9001 Certified
Toll Free Engineering Hot Line: 800.645.5828 • P: 321.637.1000 • F: 321.637.1600

