

RLD-2220

PCB MOUNT TRANSFORMERS

DESCRIPTION

- PCB Mount
- Low Power Transformers

ENVIRONMENTAL DATA

- Storage temperature range: -55°C to +130°C
- Operating temperature range: -40°C to +130°C

PACKAGING INFORMATION

- Packaging information: pg. 493

FEATURES & APPLICATIONS

- This series of PCB mount low power are designed to operate between 50 and 500 Hz without any loss of output voltage
- These transformers are available in ratings of 1.0 VA, 1.2 VA, 4.4 VA, 10.0 VA and 24.0 VA
- Single or dual primaries 50/500Hz and input range of (115 V or 115/230 V - 50/500 Hz)
- Secondaries in series or parallel
- Hipot tested at 1500 VRMS
- Manufactured to class B insulation (130°C)

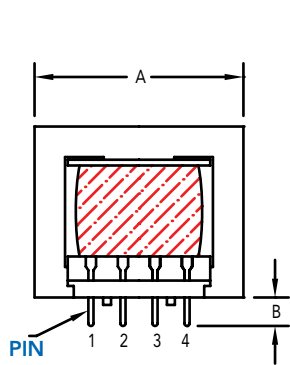
Verify operation with sample in actual circuit. Order samples at www.rencousa.com.

MECHANICAL DIMENSIONS

U.S. Standard (mm)

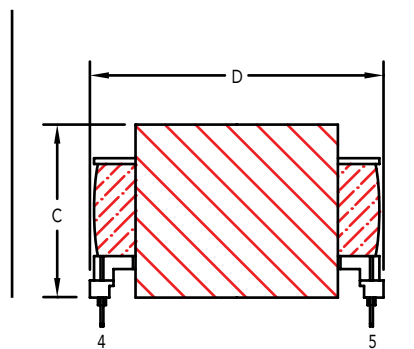
PART NUMBER	A (MAX.)	B (MIN.)	C (MAX.)	D (MAX.)	E (TYP.)	F (TYP.)	G (8 PIN)
RLD-2220-1.0	1.00 (25.40)	0.1875 (4.76)	0.83 (21.08)	1.37 (34.80)	0.06 (1.52)	1.22 (30.99)	0.200 (5.08)
RLD-2220-1.2	1.37 (34.80)	0.1875 (4.76)	1.18 (29.97)	1.12 (28.45)	0.06 (1.52)	1.03 (26.20)	0.200 (5.08)
RLD-2220-4.4	1.62 (41.30)	0.1875 (4.76)	1.37 (34.92)	1.25 (31.80)	0.06 (1.52)	1.13 (28.70)	0.250 (6.35)
RLD-2220-10	1.87 (47.60)	0.1875 (4.76)	1.62 (41.27)	1.43 (36.50)	0.06 (1.52)	1.33 (33.78)	0.250 (6.35)
RLD-2220-24	1.62 (41.30)	0.1875 (4.76)	1.37 (34.93)	2.25 (57.20)	0.06 (1.52)	2.13 (54.10)	0.250 (6.35)

FRONT VIEW

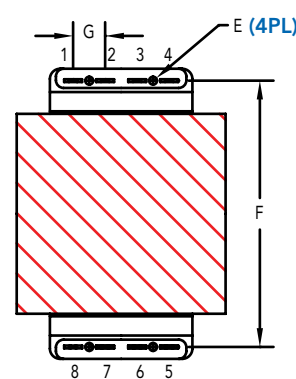


PIN DIMENSION
0.050 (1.27) (8PL)

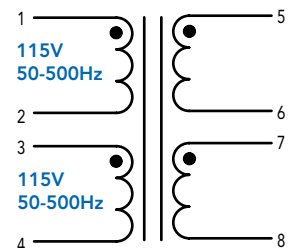
SIDE VIEW



BOTTOM VIEW



SCHEMATIC



AN OPTIONAL "SLIDE ON" MOUNTING BRACKET IS AVAILABLE FOR SIZES 10 & 24. THE BRACKETS DO NOT USE UP ANY EXTRA "PCB SPACE" BUT ADD 1/32" TO THE HEIGHT OF THE TRANSFORMER



RENCO ELECTRONICS INC.

595 International Place, Rockledge, FL 32955-4200 USA • www.rencousa.com • ISO 9001 Certified
Toll Free Engineering Hot Line: 800.645.5828 • P: 321.637.1000 • F: 321.637.1600



RLD-2220

PRIMARY 50/500 Hz		VA (Size)	SECONDARY RMS RATING	
Dual 115/230V	(8 Pin)		Series	Parallel
RLD-2220-10-90		1	10VCT @ 90 mA	5V @ 180 mA
RLD-2220-10-120		1.2	10VCT @ 120 mA	5V @ 240 mA
RLD-2220-10-440		4.4	10VCT @ 440 mA	5V @ 880 mA
RLD-2220-10-1000		10	10VCT @ 1.0 A	5V @ 2.0 A
RLD-2220-10-2400		24	10VCT @ 2.4 A	5V @ 4.8 A
RLD-2220-12-70		1	12.6VCT@ 70 mA	6.3V @ 140 mA
RLD-2220-12-100		1.2	12.6VCT@ 100 mA	6.3V @ 200 mA
RLD-2220-12-350		4.4	12.6VCT @350 mA	6.3V @ 700 mA
RLD-2220-12-800		10	12.6VCT @ 800 mA	6.3V @ 1.6 A
RLD-2220-12-2000		24	12.6VCT @ 2.0 A	6.3V @ 4.0 A
RLD-2220-16-55		1	16VCT @ 55 mA	8V @ 110 mA
RLD-2220-16-75		1.2	16VCT @ 75 mA	8V @ 150 mA
RLD-2220-16-260		4.4	16VCT @ 260 mA	8V @ 520 mA
RLD-2220-16-640		10	16VCT @ 640 mA	8V @ 1.28 A
RLD-2220-16-1500		24	16VCT @ 1.50 A	8V @ 3.0 A
RLD-2220-20-45		1	20VCT @ 45 mA	10V @ 90 mA
RLD-2220-20-60		1.2	20VCT @ 60 mA	10V @ 120 mA
RLD-2220-20-220		4.4	20VCT @ 220 mA	10V @ 440 mA
RLD-2220-20-500		10	20VCT @ 500 mA	10V @ 1.0 A
RLD-2220-20-1200		24	20VCT @ 1.20 A	10V @ 2.40 A
RLD-2220-24-35		1	24VCT @ 35 mA	12V @ 70 mA
RLD-2220-24-50		1.2	24VCT @ 50 mA	12V @ 100 mA
RLD-2220-24-180		4.4	24VCT @ 180 mA	12V @ 360 mA
RLD-2220-24-450		10	24VCT @ 450 mA	12V @ 900 mA
RLD-2220-24-1000		24	24VCT @ 1.0 A	12V @ 2.0 A
RLD-2220-28-30		1	28VCT @ 30 mA	14V @ 60 mA
RLD-2220-28-40		1.2	28VCT @ 40 mA	14V @ 80 mA
RLD-2220-28-160		4.4	28VCT @ 160 mA	14V @ 320 mA
RLD-2220-28-360		10	28VCT @ 360 mA	14V @ 720 mA
RLD-2220-28-800		24	28VCT @ 800 mA	14V @ 1.6 A
RLD-2220-34-25		1	34VCT @ 25 mA	17V @ 50 mA
RLD-2220-34-35		1.2	34VCT @ 35 mA	17V @ 70 mA
RLD-2220-34-125		4.4	34VCT @ 125 mA	17V @ 250 mA
RLD-2220-34-300		10	34VCT @ 300 mA	17V @ 600 mA
RLD-2220-34-700		24	34VCT @ 700 mA	17V @ 1.4 A
RLD-2220-40-20		1	40VCT @ 20 mA	20V @ 40 mA
RLD-2220-40-30		1.2	40VCT @ 30 mA	20V @ 60 mA
RLD-2220-40-110		4.4	40VCT @ 110 mA	20V @ 220 mA
RLD-2220-40-250		10	40VCT @ 250 mA	20V @ 500 mA
RLD-2220-40-600		24	40VCT @ 600 mA	20V @ 1.20 A

RLD-2220 TABLE CONTINUES ON FOLLOWING PAGE

NOTES:

1. ELECTRICAL SPECIFICATIONS MEASURED AT 25°C



RENCO ELECTRONICS INC.



595 International Place, Rockledge, FL 32955-4200 USA • www.rencousa.com • ISO 9001 Certified
Toll Free Engineering Hot Line: 800.645.5828 • P: 321.637.1000 • F: 321.637.1600

RLD-2220

PRIMARY 50/500 Hz Dual 115/230V (8 Pin)	VA (Size)	SECONDARY RMS RATING	
		Series	Parallel
RLD-2220-56-15	1	56VCT @ 15 mA	28V @ 30 mA
RLD-2220-56-20	1.2	56VCT @ 20 mA	28V @ 40 mA
RLD-2220-56-80	4.4	56VCT @ 80 mA	28V @ 160 mA
RLD-2220-56-180	10	56VCT @ 180 mA	28V @ 360 mA
RLD-2220-56-420	24	56VCT @ 420 mA	28V @ 840 mA
RLD-2220-120-8	1	120VCT @ 8 mA	60V @ 16 mA
RLD-2220-120-10	1.2	120VCT @ 10 mA	60V @ 20 mA
RLD-2220-120-35	4.4	120VCT @ 35 mA	60V @ 70 mA
RLD-2220-120-85	10	120VCT @ 85 mA	60V @ 170 mA
RLD-2220-120-200	24	120VCT @ 200 mA	60V @ 400 mA

NOTES:

1. ELECTRICAL SPECIFICATIONS MEASURED AT 25°C

PART NUMBER	PART WEIGHT
RLD-2220-1.0	69.0g (2.43oz)
RLD-2220-1.2	88.0g (3.10oz)
RLD-2220-4.4	156.0g (5.50oz)
RLD-2220-10	263.0g (9.28oz)
RLD-2220-24	381.0g (13.44oz)

