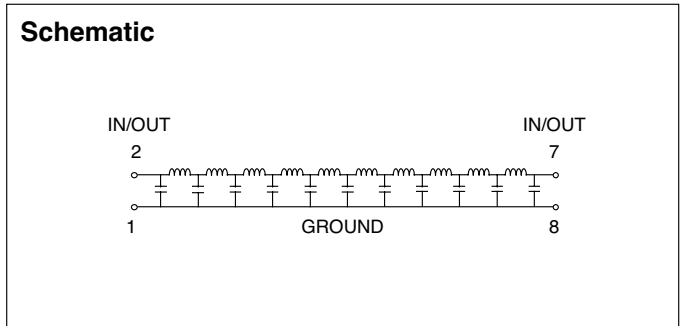


8 Pin Single-in-Line Passive Delay Lines

Delay nS Max.	Delay Tol. nS	Rise Time nS Max. (Calculated)	DCR Ω Max.	PCA Part Number	Delay nS Max.	Delay Tol. nS	Rise Time nS Max. (Calculated)	DCR Ω Max.	PCA Part Number
0.0	+0.25	1.0	1.0	EP9793-0.0 *(Z)	9.0	± 0.25	1.9	1.0	EP9793-9.0 *(Z)
0.5	± 0.25	1.0	1.0	EP9793-0.5 *(Z)	9.5	± 0.25	2.0	1.0	EP9793-9.5 *(Z)
1.0	± 0.25	1.0	1.0	EP9793-1.0 *(Z)	10.0	± 0.25	2.0	1.0	EP9793-10 *(Z)
1.5	± 0.25	1.0	1.0	EP9793-1.5 *(Z)	11.0	± 0.25	2.2	2.0	EP9793-11 *(Z)
2.0	± 0.25	1.0	1.0	EP9793-2.0 *(Z)	12.0	± 0.25	2.3	2.0	EP9793-12 *(Z)
2.5	± 0.25	1.0	1.0	EP9793-2.5 *(Z)	13.0	± 0.25	2.5	2.0	EP9793-13 *(Z)
3.0	± 0.25	1.0	1.0	EP9793-3.0 *(Z)	14.0	± 0.25	2.6	2.0	EP9793-14 *(Z)
3.5	± 0.25	1.0	1.0	EP9793-3.5 *(Z)	15.0	± 0.25	2.8	2.0	EP9793-15 *(Z)
4.0	± 0.25	1.0	1.0	EP9793-4.0 *(Z)	16.0	± 0.25	3.0	2.5	EP9793-16 *(Z)
4.5	± 0.25	1.0	1.0	EP9793-4.5 *(Z)	17.0	± 0.25	3.2	2.5	EP9793-17 *(Z)
5.0	± 0.25	1.1	1.0	EP9793-5.0 *(Z)	18.0	± 0.25	3.4	2.5	EP9793-18 *(Z)
5.5	± 0.25	1.2	1.0	EP9793-5.5 *(Z)	19.0	± 0.25	3.6	2.5	EP9793-19 *(Z)
6.0	± 0.25	1.3	1.0	EP9793-6.0 *(Z)	20.0	± 0.50	3.8	2.5	EP9793-20 *(Z)
6.5	± 0.25	1.4	1.0	EP9793-6.5 *(Z)	25.0	± 0.50	4.5	4.0	EP9793-25 *(Z)
7.0	± 0.25	1.5	1.0	EP9793-7.0 *(Z)	30.0	± 0.50	5.5	4.5	EP9793-30 *(Z)
7.5	± 0.25	1.6	1.0	EP9793-7.5 *(Z)	35.0	± 0.50	6.4	5.5	EP9793-35 *(Z)
8.0	± 0.25	1.7	1.0	EP9793-8.0 *(Z)	40.0	± 0.50	7.4	6.0	EP9793-40 *(Z)
8.5	± 0.25	1.8	1.0	EP9793-8.5 *(Z)	45.0	± 1.0	8.0	6.5	EP9793-45 *(Z)

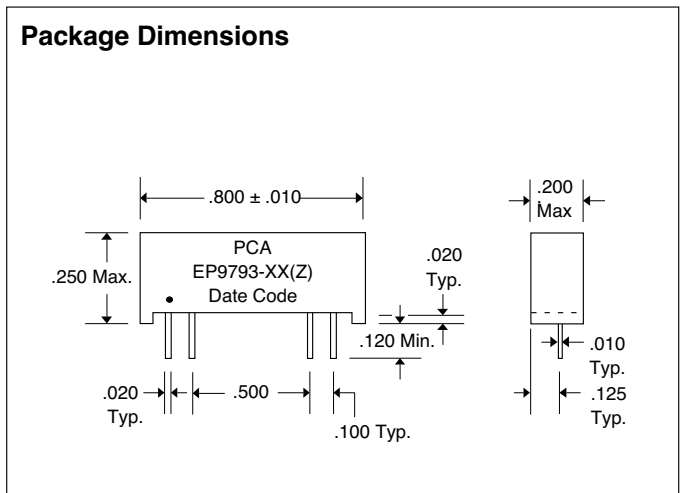
Note : *(Z) indicates Zo $\Omega \pm 10\%$; *(A) = 50 Ω *(B) = 100 Ω *(C) = 200 Ω *(F) = 75 Ω *(H) = 55 Ω *(K) = 62 Ω *(L) = 250 Ω

DC Electrical Characteristics	Min	Max	Unit
Distortion		± 10	%
Temperature Coefficient of Delay		100	PPM/ $^{\circ}$ C
Insulation Resistance @ 100 Vdc	1K		Meg Ohms
Dielectric Strength		100	Vdc



Recommended Operating Conditions	Min	Max	Unit
PW*	Pulse Width % of Total Delay	200	%
D*	Duty Cycle	40	%
TA	Operating Free Air Temperature	-40	+85 $^{\circ}$ C

*These two values are inter-dependent.



Input Pulse Test Conditions @ 25 $^{\circ}$ C		
VIN	Pulse Input Voltage	5 Volts
PW	Pulse Width % of Total Delay	300 %
TRI	Input Rise Time (10 - 90%)	2.0 nS
PRR	Pulse Repetition Rate @ Td \leq 150 nS	1.0 MHz
	Pulse Repetition Rate @ Td > 150 nS	300 KHz