



Features:

- Lowest cost, Single Range Single Function
- LED Status Indicator : Power ON, Relay ON
- Din Rail / Pack Mount
- Finger safe Terminals

Size: DIN 22.5mm

Technical Specifications

Input Specifications

Accuracy	Setting : $\pm 5\%$ of full scale. Repeat : $\pm 0.5\%$ or 50msec
Reset	On interruption of power; Reset time < 100 msec

Output Specifications

Output Contact	1 C/O (SPDT)
Contact Rating	5A @ 230V AC / 24V DC, resistive

Functional Specifications

Modes	ON : ON delay
Time Ranges	30S: 30 sec, 60S: 60 sec (factory set)
LED Indication	Power ON, Relay ON

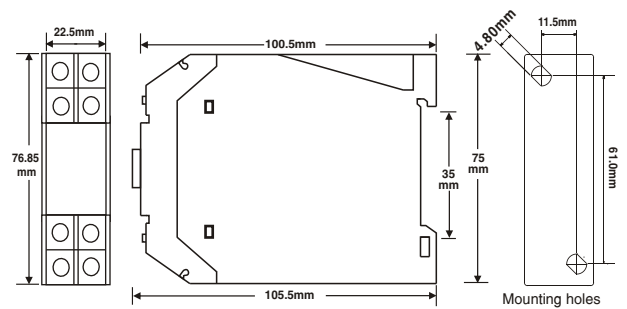
Supply Voltage

Supply Voltage	230: 230V AC
----------------	--------------

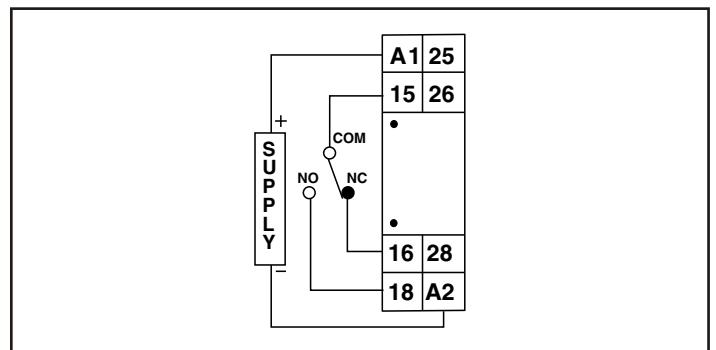
Environmental Specifications

Temperature	Operating: 0 to 50°C Storage: -5 to 50°C
Humidity (non-condensing)	95% RH
Weight	100 gms
Protection Level	IP50 for faceplate IP40 for housing IP20 for terminals

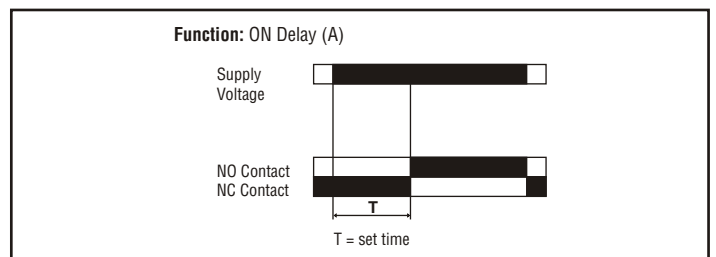
Dimensions



Terminal Connections



Timing Diagram



Ordering Information

Part No.	Supply Voltage
800S-1-ON-30S-230	230V AC
800S-1-ON-60S-230	230V AC