

**PLEASE CHECK WWW.MOLEX.COM FOR LATEST PART INFORMATION**

**Part Number:** [0850099004](#)  
**Status:** **Active**  
**Overview:** [din\\_41612](#)  
**Description:** 2.54mm (.100") Pitch DIN 41612 M Style Male Header, Right Angle, Through Hole, 24 Circuits, without Mounting Clips, No Flux Proof, Lead free

**Documents:**

[Drawing \(PDF\)](#) [RoHS Certificate of Compliance \(PDF\)](#)

**General**

Product Family	Backplane Connectors
Series	<a href="#">85009</a>
Application	Backplane
Comments	No Mounting Clips. No Flux Proof
Component Type	PCB Header
Overview	<a href="#">din_41612</a>
Product Name	IEC 603-2/DIN 41612
Style	M

**Physical**

Circuits (Loaded)	24
Circuits (maximum)	24
Circuits Detail	Standard Contacts at: A:a14-a19; B:b13-b20; C:c13-c20. Coaxial Contacts at: O:b2,b5,b8,b11,b22,b25,b28,b31. Last-Mate-First-Break Contacts at: Z:a13,a20
Durability (mating cycles max)	400
First Mate / Last Break	No
Guide to Mating Part	No
Keying to Mating Part	Yes
Material - Metal	Brass
Material - Plating Mating	Gold
Material - Plating Termination	Gold, Tin
Number of Columns	8
Number of Pairs	Open Pin Field
Number of Rows	3
Orientation	Right Angle
PC Tail Length (in)	0.118 In
PC Tail Length (mm)	3.00 mm
PCB Locator	No
PCB Retention	Yes
Packaging Type	Tray
Pitch - Mating Interface (in)	0.100 In
Pitch - Mating Interface (mm)	2.54 mm
Pitch - Term. Interface (in)	0.100 In
Pitch - Term. Interface (mm)	2.54 mm
Plating min: Mating (µin)	32
Plating min: Mating (µm)	0.80
Plating min: Termination (µin)	98
Plating min: Termination (µm)	2.5
Polarized to PCB	Yes
Stackable	No
Surface Mount Compatible (SMC)	No
Temperature Range - Operating	-55°C to +125°C
Termination Interface: Style	Through Hole

**EU RoHS**

**ELV and RoHS Compliant**

**REACH SVHC**

Not Reviewed

**Halogen-Free**

**Status**

**Not Reviewed**

**China RoHS**



**Need more information on product environmental compliance?**

Email [productcompliance@molex.com](mailto:productcompliance@molex.com)  
 For a multiple part number RoHS Certificate of Compliance, [click here](#)

Please visit the [Contact Us](#) section for any non-product compliance questions.

**Search Parts in this Series**

[85009Series](#)

**Electrical**

Current - Maximum per Contact

1A

Data Rate

622.0 Mbps

Voltage - Maximum

250V AC (RMS)

**Material Info****Reference - Drawing Numbers**

Packaging Specification

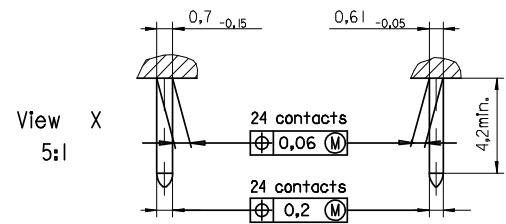
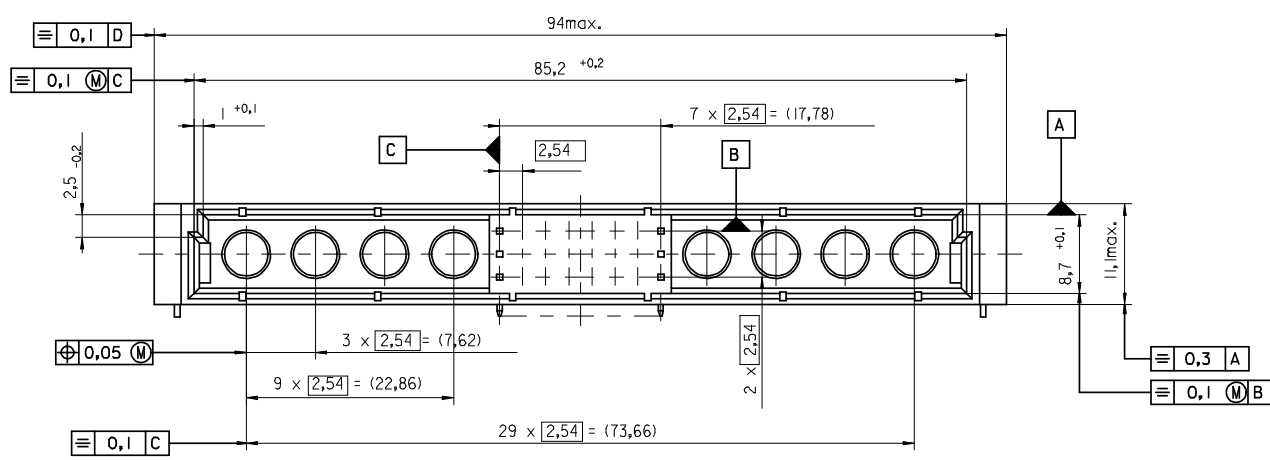
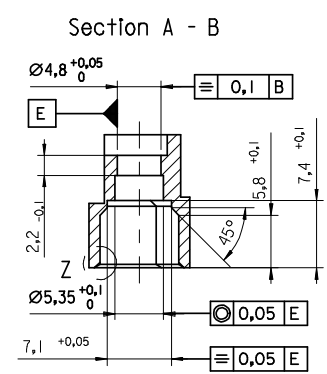
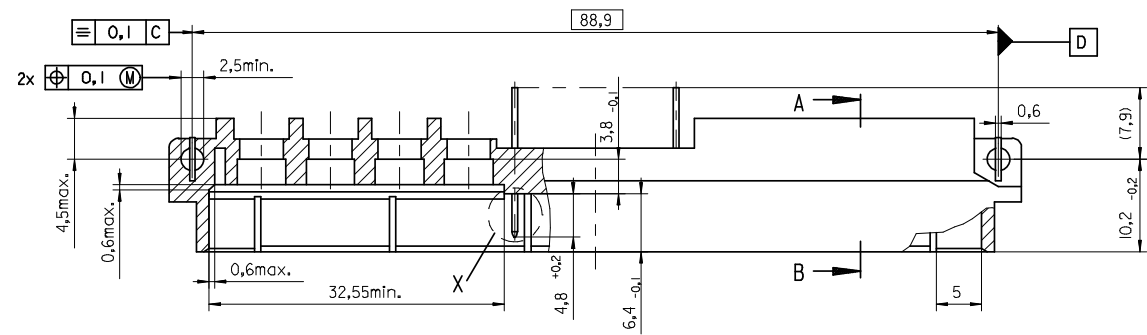
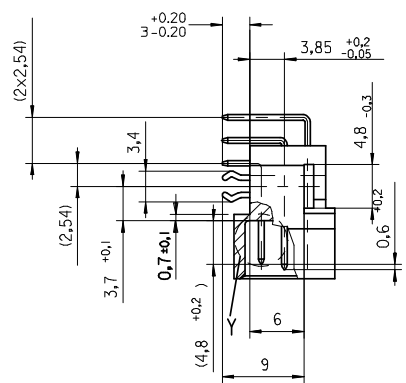
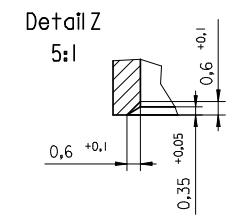
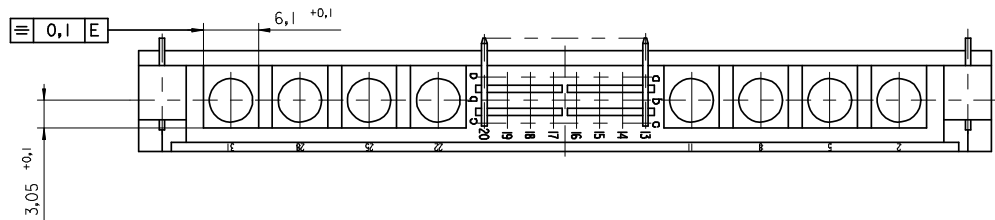
PK-85009-001

Sales Drawing

SDA-85009-0001, SDA-85009-9004

This document was generated on 05/17/2010

**PLEASE CHECK [WWW.MOLEX.COM](http://WWW.MOLEX.COM) FOR LATEST PART INFORMATION**



EC NO: I2009-0039 2008/07/28 DRWNSJ CHKD:KPRASAD 2008/07/31 APPR:KPRASAD 2008/08/11 REV DESCRIPTION	QUALITY SYMBOLS ▽ = ▽ =	GENERAL TOLERANCES (UNLESS SPECIFIED) <table border="1"> <tr> <th></th> <th>mm</th> <th>INCH</th> </tr> <tr> <td>4 PLACES</td> <td>± ---</td> <td>± ---</td> </tr> <tr> <td>3 PLACES</td> <td>± ---</td> <td>± ---</td> </tr> <tr> <td>2 PLACES</td> <td>± ---</td> <td>± ---</td> </tr> <tr> <td>1 PLACE</td> <td>± ---</td> <td>± ---</td> </tr> </table>		mm	INCH	4 PLACES	± ---	± ---	3 PLACES	± ---	± ---	2 PLACES	± ---	± ---	1 PLACE	± ---	± ---	DIMENSION STYLE <b>MM ONLY</b> DRAWN BY DATE CA 1995/06/12 CHECKED BY DATE KN 1995/06/12 APPROVED BY DATE KN 1995/06/12	SCALE <b>2:1</b> TITLE <b>24POS. MALE DIN CONNECTOR DIN 41612 STYLE M</b>	DESIGN UNITS <b>METRIC</b> THIRD ANGLE PROJECTION	MATERIAL NO. ----- DOCUMENT NO. <b>SDA-85009-0001</b>	SHEET NO. <b>1 OF 2</b>
		mm	INCH																			
4 PLACES	± ---	± ---																				
3 PLACES	± ---	± ---																				
2 PLACES	± ---	± ---																				
1 PLACE	± ---	± ---																				
DRAFT WHERE APPLICABLE MUST REMAIN WITHIN DIMENSIONS		SIZE <b>A2</b>	THIS DRAWING CONTAINS INFORMATION THAT IS PROPRIETARY TO MOLEX INCORPORATED AND SHOULD NOT BE USED WITHOUT WRITTEN PERMISSION																			

View on mating side

0									C	C	C	C	C	C					
Δ	0	0	0	0	0	0	0	0	B	B	B	B	B	B	0	0	0	0	0
◊									Z	A	A	A	A	A	Z				

0 1 2 3 4 5 6 7 8 9 A B C D E F G H I J K L M N O P Q R S T U V W X Y Z

- A = 6 standard contacts L=3
- B = 8 standard contacts L=3
- C = 8 standard contacts L=3
- Z = 2 LMFB contacts -0,6 L=3

S = 24 total number of contacts

0 = 8 co-axial contacts (85023-0294) assembled

Marking	Standard
Performance level	G2/0 = Contact area level2 / Termination tin
Co-axial contact	G2/2 = Contact area level2 / Termination Au
Flux proof	no
Fixing clip	no
Dimensions	SDA-85009-0001 sht.1
Dimensions (co-axial contact)	605-6093-20 sht.2
Technical Data	PS-85003-0001

0	G2/2	b2, 5, 8, 11, 22, 25, 28, 31
Z	G2/0	a13,20
C	G2/0	c13-20
B	G2/0	b13-20
A	G2/0	a14-19
Contact symbol	Perform. level	Contact position number

REVISE ONLY ON CAD SYSTEM

Second release see ECN No. I2004-0179 18/11/03 Shiva	REVISIONS		SH.	REV.
	FOR PREVIOUS REVISIONS SEE MRI LIST		CAD/CAM PROJECT NAME sg685009-9004.s01	THIS DRAWING CONTAINS INFORMATION THAT IS PROPRIETARY TO MOLEX, INC. & SHOULD NOT BE USED WITHOUT WRITTEN PERMISSION
REVISIONS		DRWG BY Sh	SIGN	MOLEX EUROPE SHEET NO. DATE 1 OF 1 11/11/03
3 PLACE ± .		CH'K'D BY GL	SIGN	
2 PLACE ± .		APP'D BY GL	SIGN	
1 PLACE ± .		DRAFT WHERE APPLICABLE MUST REMAIN WITHIN DIMENSIONS		TITLE 24 pos. Male connector acc. DIN 41612 style M contacts arrangement
		DESIGN DIMENSION <input type="checkbox"/> MM <input type="checkbox"/> IN.		
		EQUIVALENT DIMENSION <input type="checkbox"/> MM <input type="checkbox"/> IN.		
		SCALE		PART NO. 85009-9004
FOR PREVIOUS REVISIONS SEE MRI LIST				DWG NO. SDA-85009-9004
LTR				SIZE A