

OVER VIEW

The C9536-01/H9958 series are optical power meters designed to measure absolute optical power of UV light (mW/cm²). These optical power meters have a flat spectral response over a wide UV wavelength region, and are capable of measuring the optical power independent of the spectral emission distribution of a light source to be measured. Unlike commonly available UV power meters, optical power of various UV light sources can be easily measured with just one set of the C9536-01/H9958 series, without having to correct each wavelength of emitted light.



Left: Controller C9536-01, Right: Sensor Head H9958 Series

FEATURES

- Traceable to National Standard in Japan and a Certificate of Calibration is Appended
- Flat Spectral Response Characteristics Over a Wide UV Region
- Ideal for Monitoring / Controlling Light Source Power for Photocatalyst
- Wide Light-receiving Angle Close to COS θ

APPLICATIONS

Monitoring, Measurement and Control of:

- Black Light
- Ultraviolet Rays (UV-A)
- Mercury-Xenon Lamp
- High Pressure Mercury-Xenon Lamp
- Deuterium Lamp
- UV LED

SPECIFICATIONS

CONTROLLER: C9536-01

Parameter		Description / Value
Measurement Mode	One shot	This mode makes one measurement each time START switch is pressed.
	Continuous	This mode makes continuous measurements at a sampling rate of 1 second.
	Integration	This mode displays a result integrated over a certain period of time (adjustable from 1 second to 5 minutes in 1 second steps).
External Interface		RS-232C
Power Requirement		Internal battery or AC adapter
Dimensions (W × H × D)		75 mm × 110 mm × 20 mm
Operating Ambient Temperature / Humidity		0 °C to +45 °C / Below 80 %
Storage Temperature / Humidity		-20 °C to +50 °C / Below 80 %
Weight		Approx. 285 g

SENSOR HEAD: H9958 SERIES

Parameter	Description / Value	
Type	H9958	H9958-01
Spectral Response	310 nm to 380 nm	300 nm to 410 nm
Effective Area	φ10 mm	
Measurement Range	1 μW/cm ² to 100 mW/cm ²	
Dimensions (W × H × D)	55 mm × 75 mm × 18 mm	
Operating Ambient Temperature / Humidity	0 °C to +45 °C / Below 80 %	
Storage Temperature / Humidity	-20 °C to +50 °C / Below 80 %	
Weight	Approx. 195 g	

UV POWER METER C9536-01, H9958 SERIES

Figure 1: Relative Spectral Response Characteristics of Detector (Typ.)
(H9958: 310 nm to 380 nm)

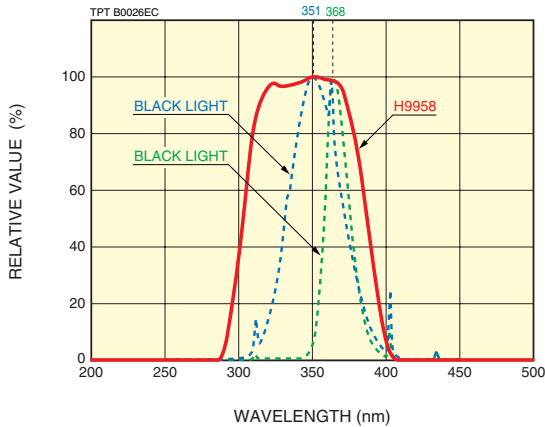


Figure 2: Relative Spectral Response Characteristics of Detector (Typ.)
(H9958-01: 300 nm to 410 nm)

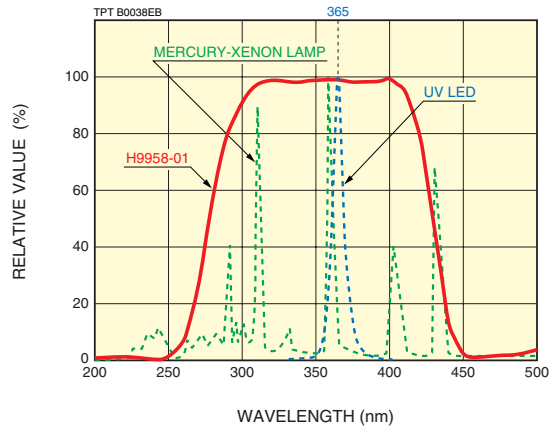
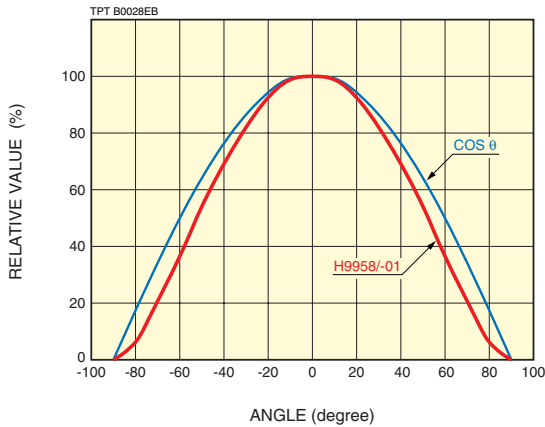


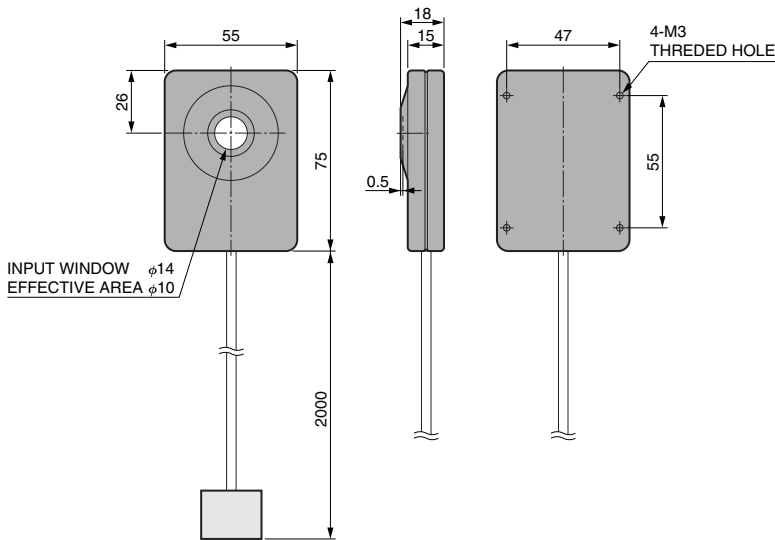
Figure 3: Detector Sensitivity vs. Incident Light Angle (Typ.)



Note: This UV power meter is not a spectrum measuring device. Depending on the emission wavelength or spectral range of light sources to be measured, it might be necessary to place a bandpass filter on the light source side for accurate measurement of optical power.

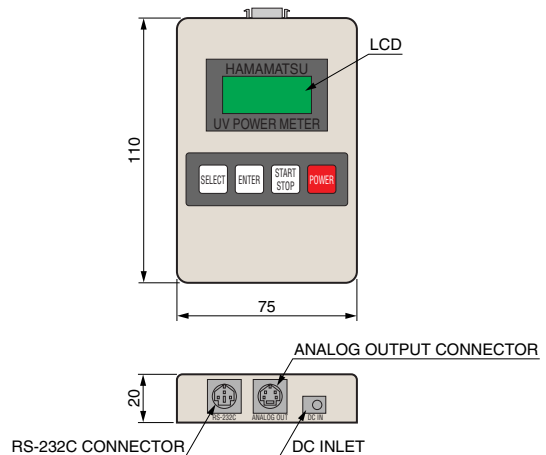
Figure 4: Dimensional Outline (Unit: mm)

●Sensor Head: H9958 Series



TPT A0041EA

●Controller: C9536-01



TPT A0042EA

HAMAMATSU

WEB SITE www.hamamatsu.com

HAMAMATSU PHOTONICS K.K., Electron Tube Division

314-5, Shimokanzo, Iwata City, Shizuoka Pref., 438-0193, Japan, Telephone: (81)539/62-5248, Fax: (81)539/62-2205

U.S.A.: Hamamatsu Corporation: 360 Foothill Road, P. O. Box 6910, Bridgewater, N.J. 08807-0910, U.S.A., Telephone: (1)908-231-0960, Fax: (1)908-231-1218 E-mail: usa@hamamatsu.com

Germany: Hamamatsu Photonics Deutschland GmbH: Arzbergerstr. 10, D-82211 Herrsching am Ammersee, Germany, Telephone: (49)8152-375-0, Fax: (49)8152-2658 E-mail: info@hamamatsu.de

France: Hamamatsu Photonics France S.A.R.L.: 19, Rue du Saule Trapu, Parc du Moulin de Massy, 91882 Massy Cedex, France, Telephone: (33)1 69 53 71 00, Fax: (33)1 69 53 71 10 E-mail: infos@hamamatsu.fr

United Kingdom: Hamamatsu Photonics UK Limited: 2 Howard Court, 10 Tewin Road Welwyn Garden City Hertfordshire AL7 1BW, United Kingdom, Telephone: 44-(0)1707-294888, Fax: 44(0)1707-325777 E-mail: info@hamamatsu.co.uk

North Europe: Hamamatsu Photonics Norden AB: Smidesvägen 12, SE-171-41 SOLNA, Sweden, Telephone: (46)8-509-031-00, Fax: (46)8-509-031-01 E-mail: info@hamamatsu.se

Italy: Hamamatsu Photonics Italia: S.R.L.: Strada della Moia, 1/E, 20020 Arese, (Milano), Italy, Telephone: (39)02-935 81 733, Fax: (39)02-935 81 741 E-mail: info@hamamatsu.it

TPT 1022E02
OCT. 2007. IP