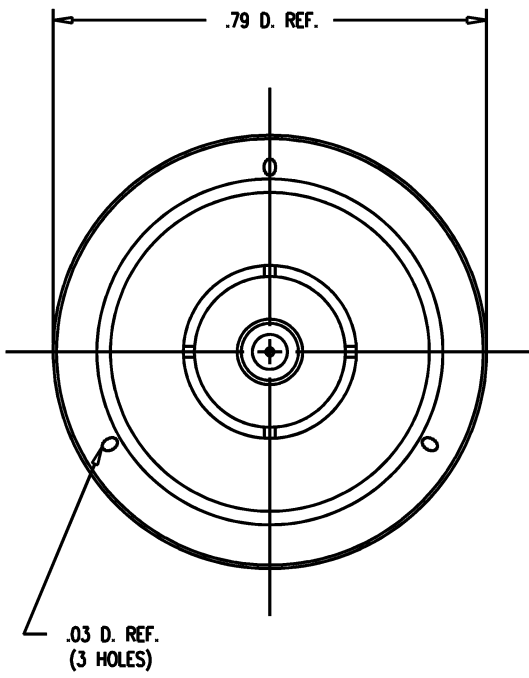
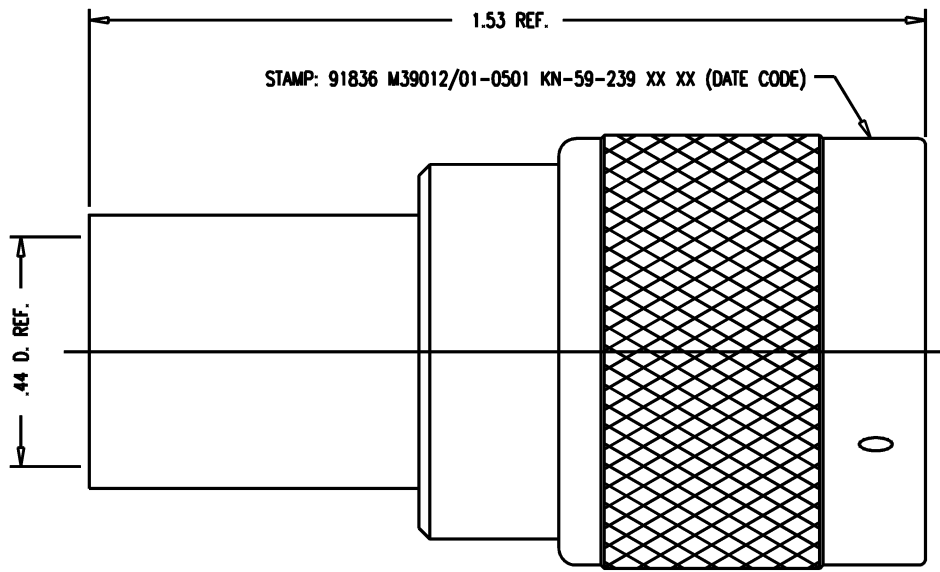


DASH NO.	M CODE	MADE FROM
----------	--------	-----------

GSD

M39012/01-0501

REVISIONS	
ISSUE	CHANGES
10	CN 35064 C REDRAWN JCA 11/22/93



- NOTES:**
- FOR USE WITH RG-9, 9A, 9B, 214, 225 & 393/U CABLE.
 - FOR CABLING INSTRUCTIONS SEE CP-480.
 - FOR CABLE TRIMMING USE KTJ-137 & KTD-138.
 - FOR CRIMPING USE DIE KTH-2004.
 - INTERFACE PER MIL-STD-348, FIG. 304-1.
 - CENTER CONTACT SUPPLIED UNASSEMBLED.
 - K-GRIP GASKET TO BE USED ON RG-393/U ONLY.
OMIT WHEN USING RG-9, 214 & 225/U CABLE.
 - MATERIALS:
INSULATOR: TEFLON, ASTM-D-1457
K-GRIP SLEEVE: COM. BRONZE TUBE, ALLOY 220
GASKETS: SILICONE RUBBER, QQ-R-765
OUTER CONTACT } PHOSPHOR BRONZE, QQ-B-750
C-RING }
ALL OTHER METAL PARTS: BRASS, ASTM-B16
 - FINISHES:
CENTER CONTACT: HARD GOLD PLATE PER MIL-G-45204
ALL OTHER METAL PARTS: SILVER PLATE PER QQ-S-365
 - ELECTRICAL CHARACTERISTICS:
NOMINAL IMPEDANCE: 50 OHMS
WORKING VOLTAGE: 1000 VRMS
FREQUENCY RANGE: DC TO 11 GHz.

WAS: JCA1687 KN59239S

SCALE 4:1

APPROX SURFACE AREA

KN-59-239

USED ON

REF:

PLUG, N

DRAWN JCA	DATE 05/28/91
-----------	---------------

DESIGN MJB	DATE 05/28/91
------------	---------------

APPR.	DATE
-------	------

KINGS
ELECTRONICS CO., INC.
TUCKAHOE, NEW YORK 10707

M39012/01-0501

GSD