

Customer Information Sheet

DRAWING No.: M83-LML3MINXX-0000-000

SHEET 2 OF 2

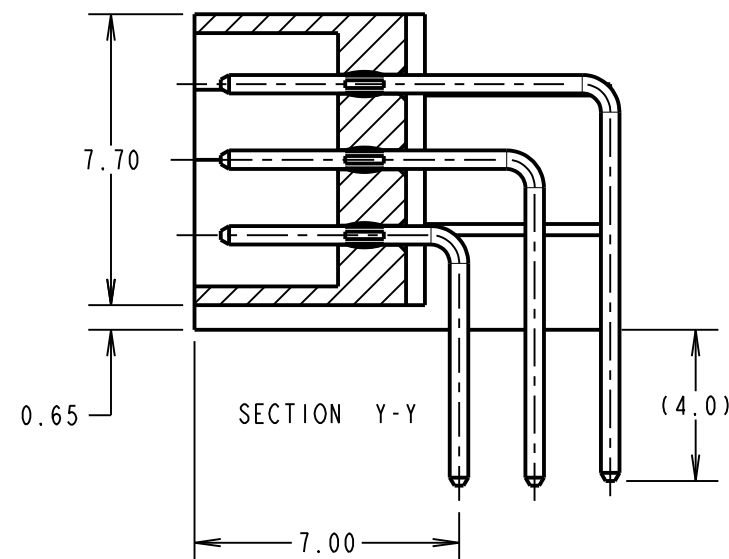
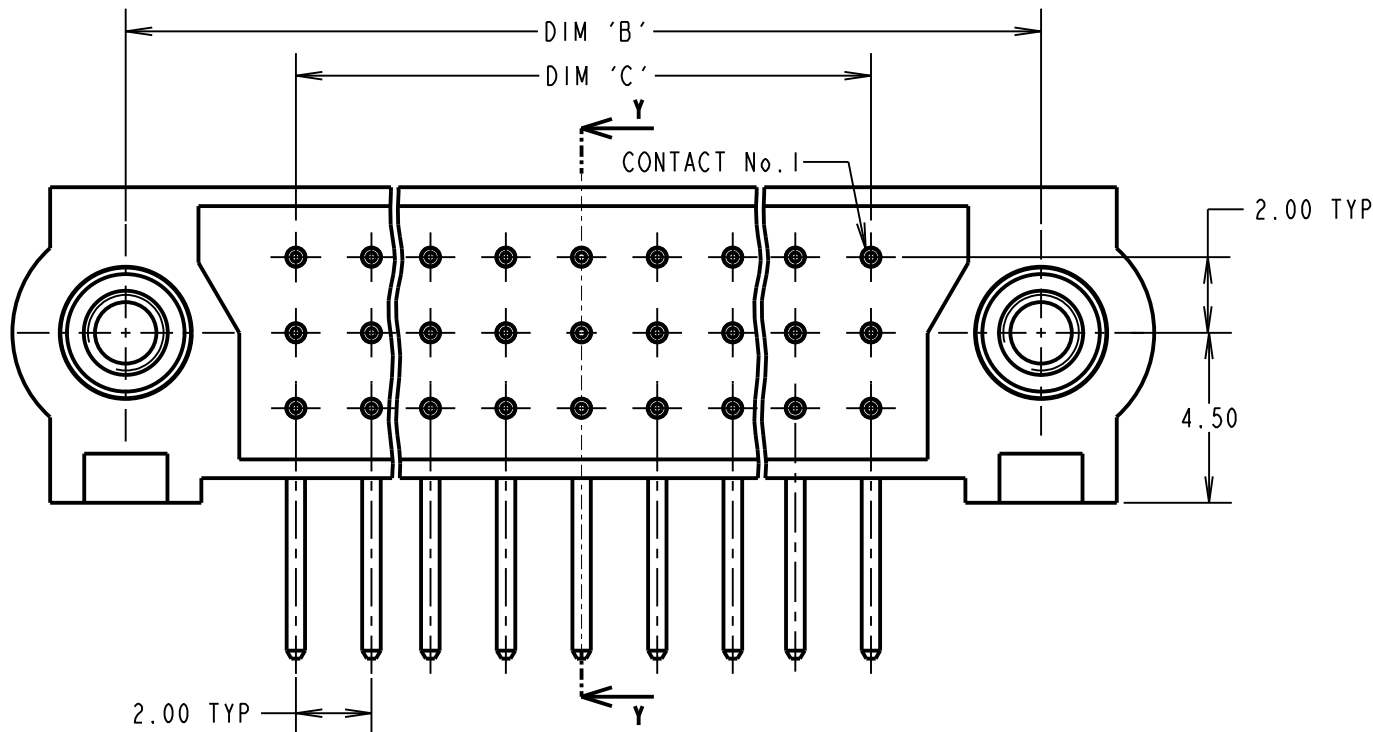
IF IN DOUBT - ASK

(C)

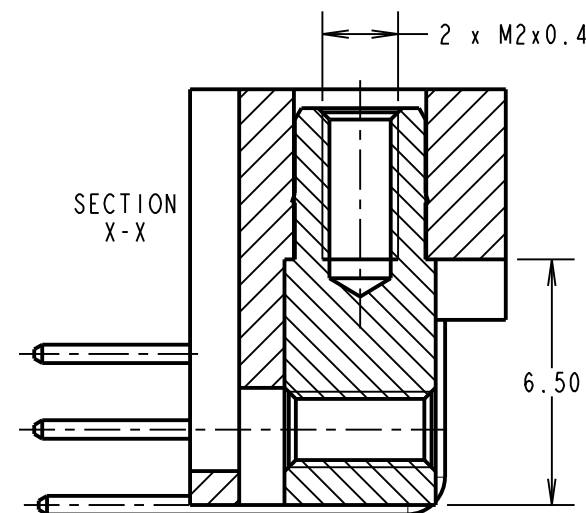
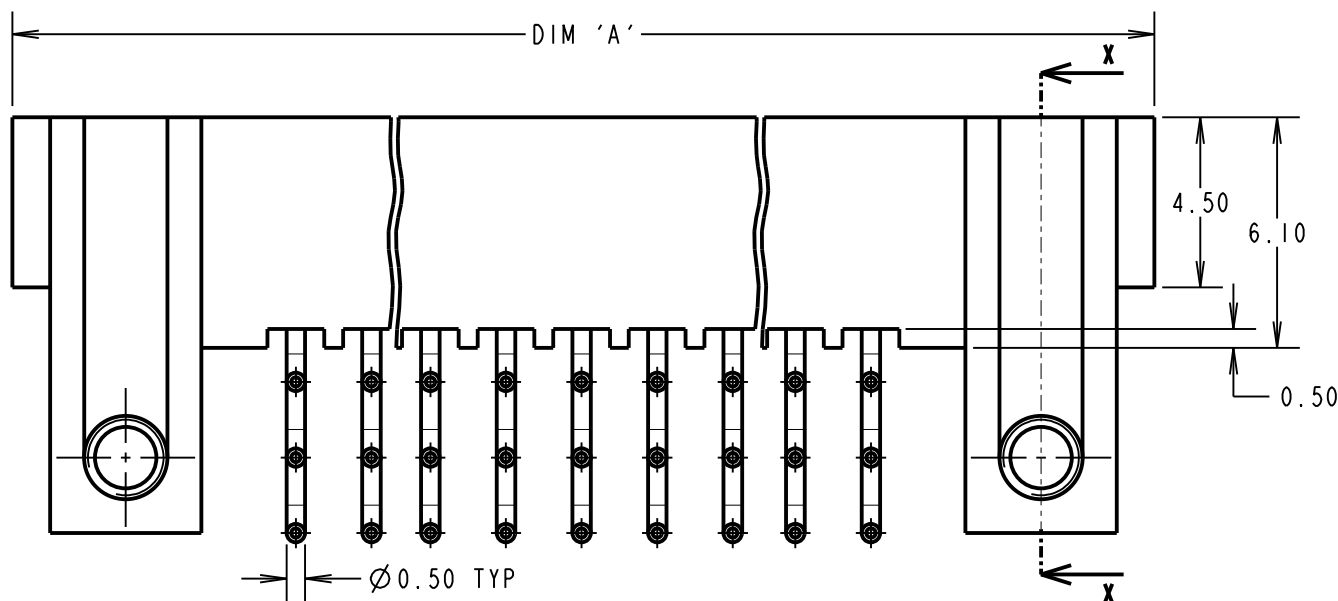
NOT TO SCALE

THIRD ANGLE PROJECTION

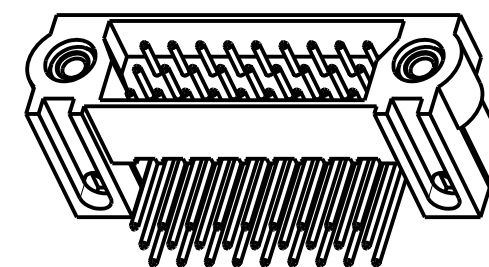
ALL DIMENSIONS IN mm



SPECIFICATIONS:
MATERIAL:
 MOULDING = GLASS-FILLED PPS, UL94V-0, BLACK
 JACKSCREW = STAINLESS STEEL
 SIGNAL CONTACT = PHOSPHOR BRONZE
FINISH:
 SIGNAL CONTACT = 0.75µ GOLD
ELECTRICAL:
 CURRENT RATING AT 25°C = 3.0A MAX
 CURRENT RATING AT 85°C = 2.2A MAX
 WORKING VOLTAGE = 800V AC/DC
 VOLTAGE PROOF = 1200V AC/DC
 CONTACT RESISTANCE = 25 mΩ MAX
 INSULATION RESISTANCE = 100 MΩ MIN
MECHANICAL:
 DURABILITY = 500 OPERATIONS
ENVIRONMENTAL:
 TEMPERATURE RANGE = -55°C TO +125°C
PACKING:
 TRAY
 FOR COMPLETE SPECIFICATION, SEE COMPONENT SPECIFICATION C005XX (LATEST ISSUE)



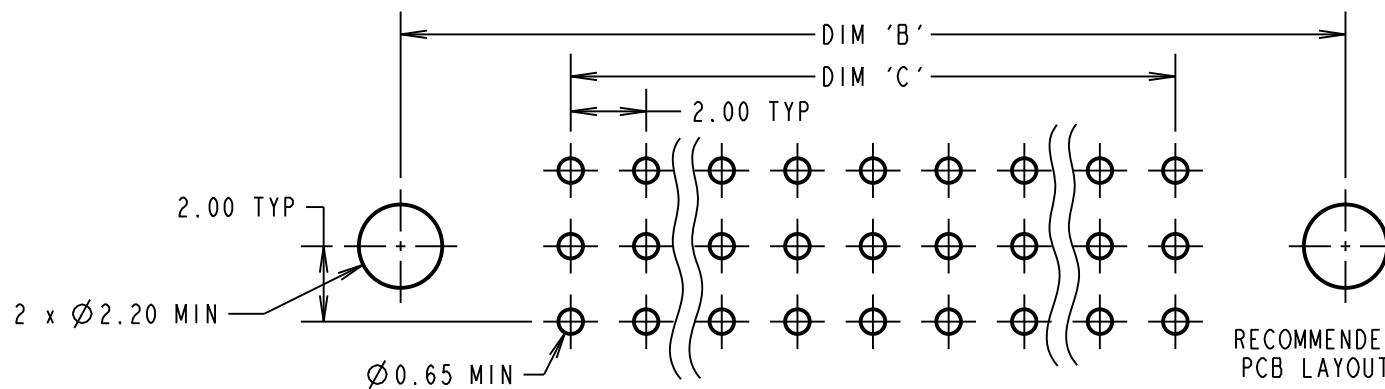
ORDER CODE:
M83-LML3MINXX-0000-000
 TOTAL No. OF CONTACTS:
 18, 27, 36, 48, 54, 60, 96



DIMENSION	CALCULATION
DIM 'A'	((TOTAL No. OF CONTACTS / 3) x 2) + 13
DIM 'B'	((TOTAL No. OF CONTACTS / 3) x 2) + 7
DIM 'C'	((TOTAL No. OF CONTACTS / 3) x 2) - 2

EXAMPLE 1: CONNECTOR WITH 27 CONTACTS,
 M83-LML3MIN27-0000-000
 DIM 'A' = 31.00mm, DIM 'B' = 25.00mm, DIM 'C' = 16.00mm

EXAMPLE 2: CONNECTOR WITH 54 CONTACTS,
 M83-LML3MIN54-0000-000
 DIM 'A' = 49.00mm, DIM 'B' = 43.00mm, DIM 'C' = 34.00mm



RECOMMENDED PCB LAYOUT

MGP	3	29.10.12	11854
NAME	ISS.	DATE	C/NOTE
APPROVED: MGP			
CHECKED: SB			
DRAWN: R.ADDE			
CUSTOMER REF.:			
ASSEMBLY DRG:			

HARWIN

www.harwin.com
 technical@harwin.com

THIS DRAWING AND ANY INFORMATION OR DESCRIPTIVE MATTER SET OUT HEREON ARE CONFIDENTIAL AND COPYRIGHT PROPERTY OF THE HARWIN GROUP AND MUST NOT BE DISCLOSED, LOANED, COPIED OR USED FOR MANUFACTURING, TENDERING OR FOR ANY OTHER PURPOSE WITHOUT THEIR WRITTEN PERMISSION.

TOLERANCES
 X. = ±1mm
 X.X = ±0.25mm
 X.XX = ±0.10mm
 X.XXX = ±0.01mm
 ANGLES = ±5°
 UNLESS STATED

MATERIAL:
 SEE ABOVE
FINISH:
 SEE ABOVE
S/AREA:
 mm²

TITLE:
 JACKSCREW DATAMATE
 3-ROW HORIZONTAL MALE ASSY

DRAWING NUMBER:
M83-LML3MINXX-0000-000

SHT 2 OF 2