

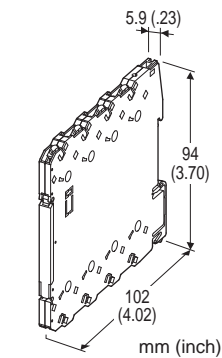
## Remote I/O R6 Series

### NPN TRANSISTOR OUTPUT MODULE, 4 points

(NPN, Tension clamp)

#### Functions & Features

- 4-channel discrete output, compact size remote I/O module



## MODEL: R6S-DC4A[1]

### ORDERING INFORMATION

- Code number: R6S-DC4A[1]

Specify a code from below for [1].

- (e.g. R6S-DC4A/Q)
- Specify the specification for option code /Q (e.g. /C01)

### [1] OPTIONS

blank: none

/Q: With options (specify the specification)

### SPECIFICATIONS OF OPTION: Q

**COATING (For the detail, refer to M-System's web site.)**

/C01: Silicone coating

/C02: Polyurethane coating

### RELATED PRODUCTS

- PC configurator software (model: R6CON)

Downloadable at M-System's web site.

A dedicated cable is required to connect the module to the PC. Please refer to the internet software download site or the users manual for the PC configurator for applicable cable types.

### GENERAL SPECIFICATIONS

#### Connection

**Internal bus:** Via the Installation Base (model: R6S-BS)

**Output:** Tension clamp

(Applicable wire size: 0.2 to 2.5 mm<sup>2</sup>, stripped length 8 mm)

**Internal power:** Via the Installation Base (model: R6S-BS)

**Housing material:** Flame-resistant resin (black)

**Isolation:** Output to internal bus or internal power

**Module address:** Selectable with DIP and rotary switches on the side

**Output at the loss of communication:** Selectable with the side DIP SW

**Configuration mode:** With DIP switches on the side panel

**Power indicator:** Green LED; Refer to the instruction manual for details.

**Status indicator:** Bi-color (red/green) LED;

Refer to the instruction manual for details.

**Discrete output status indicators:** Red LED;

Refer to the instruction manual for details.

### OUTPUT

**Common:** Negative common (NPN) per 4 points

**Number of I/O:** Output, 4 points

**Maximum outputs applicable at once:** No limit (at 24 V DC)

**Rated load voltage:** 24 V DC  $\pm 10\%$

**Rated output current:** 0.25 A per point, 2.0 A per common

**Residual voltage:**  $\leq 1.2$  V

**Leakage current:**  $\leq 0.1$  mA

**ON delay:**  $\leq 0.5$  msec.

**OFF delay:**  $\leq 1.5$  msec.

(When driving an inductive load, connect a diode in parallel with the load.)

### INSTALLATION

**Current consumption:** 20 mA

**Operating temperature:** -10 to +55°C (14 to 131°F)

**Operating humidity:** 30 to 90 %RH (non-condensing)

**Atmosphere:** No corrosive gas or heavy dust

**Mounting:** Installation Base (model: R6S-BS)

**Weight:** 60 g (2.1 oz)

### PERFORMANCE

**Data allocation:** 1

**Insulation resistance:**  $\geq 100$  M $\Omega$  with 500 V DC

**Dielectric strength:** 1500V AC @1 minute

(output to internal bus or internal power to ground)

### STANDARDS & APPROVALS

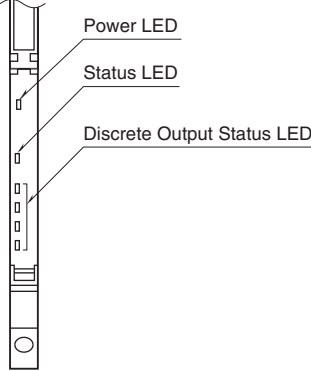
**EU conformity:**

EMC Directive

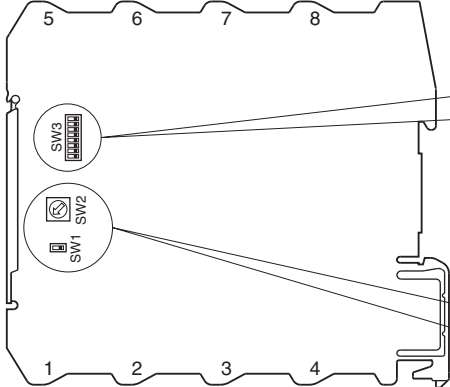
EMI EN 61000-6-4  
 EMS EN 61000-6-2  
 RoHS Directive  
 EN 50581

## EXTERNAL VIEW

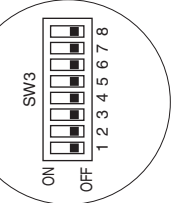
• Front View (cover opened)



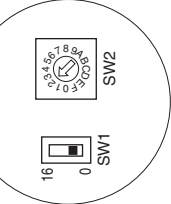
• Side View



Operating Mode Setting

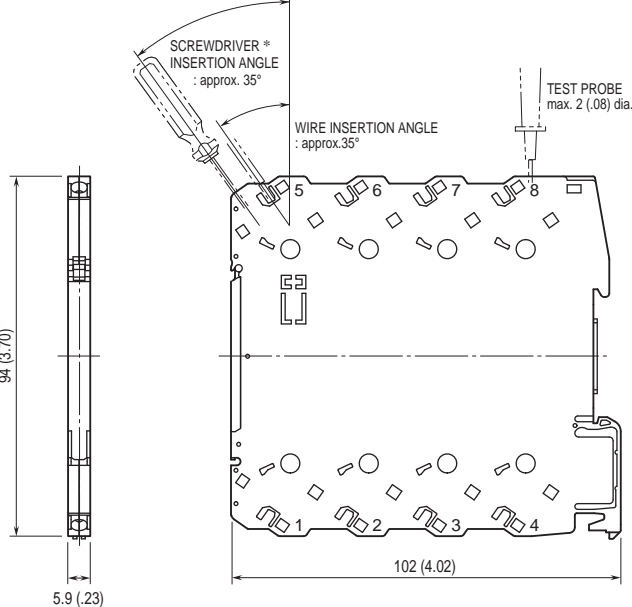


Module Address Setting



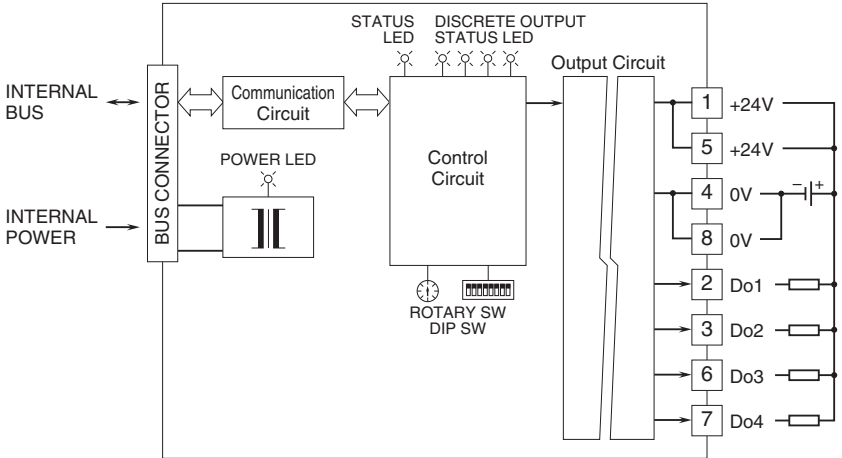
Refer to the instruction manual for setting procedures.

## EXTERNAL DIMENSIONS & TERMINAL ASSIGNMENTS unit: mm (inch)

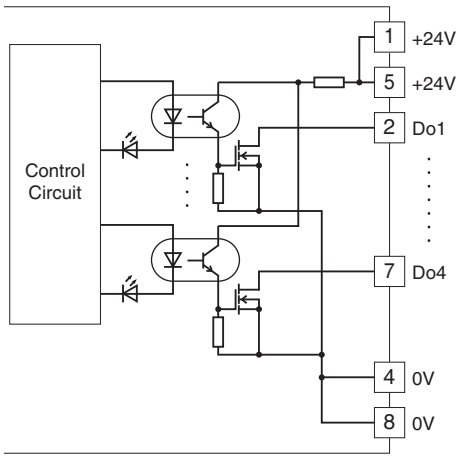


\*Use a minus screwdriver: tip width 3.8 mm max., tip thickness 0.5 to 0.6 mm

**SCHEMATIC CIRCUITRY & CONNECTION DIAGRAM**



■ Output Circuit



Specifications are subject to change without notice.