

1 2 3 4 5 6 7

A

A

B

B

C

C

D

D

E

E

F

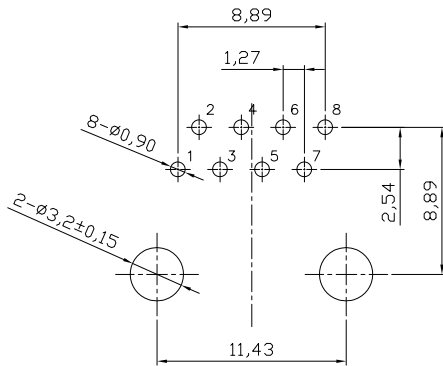
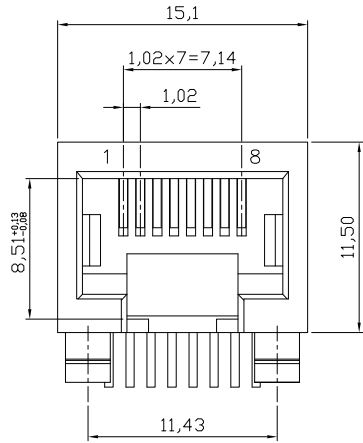
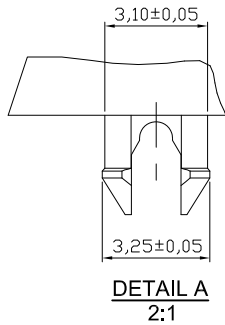
F

G

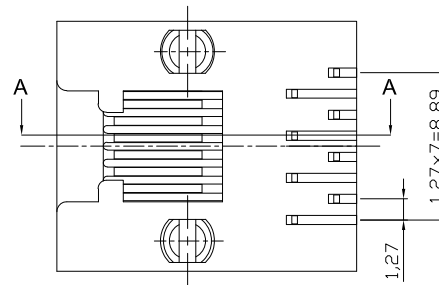
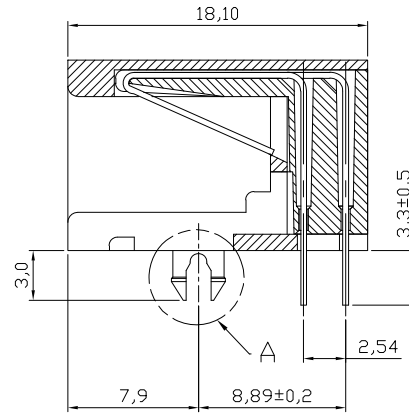
G

H

H



PC Board Layout
Component Side Shown



NOTES:

Mechanical:

- Housing material : Glass Filled Polyester UL94V-0 , Color: Black
- Contact material: Phosphor Bronze t=0.35mm
- Contact plating: Contact area---Selective gold plating
Tails---Tin plating all over 50u" Nickel
- Operating Life: 750 Cycles min.
- PCB Retention Pre-solder: 1 LB min.
- PCB Retention Post-solder: 10 LBS min.

Electrical:

- Voltage Rating: 125VAC.
- Current Rating: 1.5AMP.
- Contact Resistance: 35mΩ max.
- Insulation Resistance: 1000MΩ min. @ 500 VDC
- Dielectric Strength: 1000 VAC 60Hz, 1 min.

Environmental:

- Storage: -40°C To +85°C
 - Operation: -40°C~+85°C
 - Wave Soldering Temp: 200~220°C(5~10S)
- Packing: 90pcs/Tray, 3600pcs/Carton

Order code: A-2004-2-X-LP-N

Contact plating:
1: Selective 15u" gold
2: Selective 30u" gold
3: Selective 50u" gold
4: Selective 6u" gold

RoHS compliant
Unit:mm

Scale	Free					Date	Name	Customer-No.
TOLERANCE						Drawn	27.05.2013	Amy
X.X	±0.20					Approved	27.05.2013	Amy
X.XX	±0.15							
X.XXX	±0.10							
DIM	TOL							
		①	Drawn	27.05.2013	Amy			
Angle	±5°	Id.	Modification	Date	Name			

Customer-No.		
ASSMANN WSW-No.		A-2004-2-X-LP-N
Drawing-No.		
ASS 5691 CO	rev00	
Replace	SHEET	

1 2 3 4 5 6 7