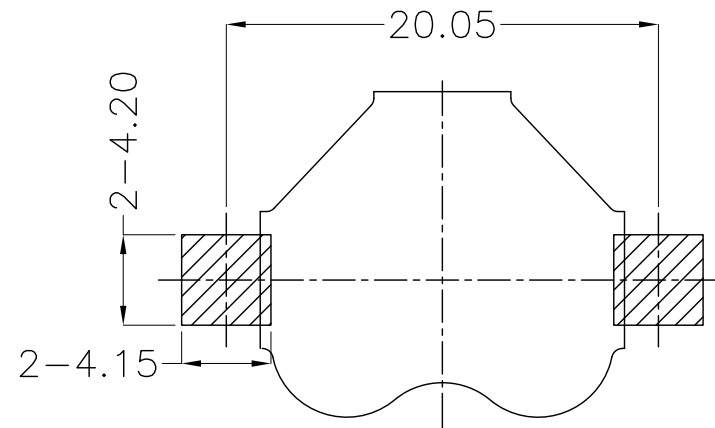
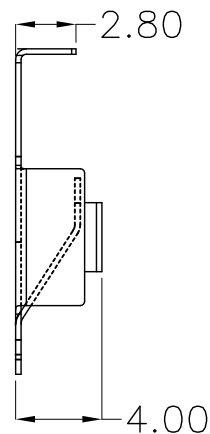
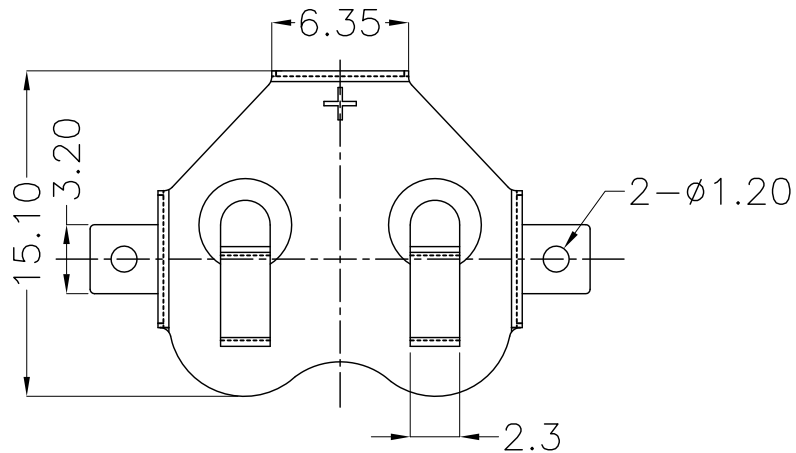
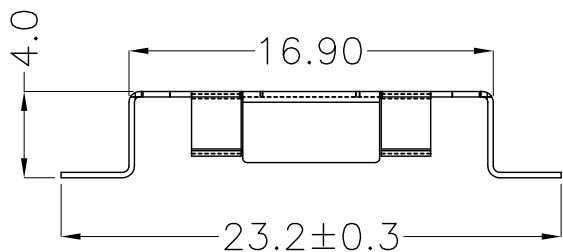




REV.	ECN NO.	REVISED	DATE



PCB Layout Diagram
Top View



工程部
2021-01-07
LQ. HUANG

UNLESS OTHERWISE SPECIFIED TOLERANCES		MYOUNG 美阳 www.meiyangdz.com	
DECIMALS: X :±0.30 X.X :±0.25 X.XX :±0.20 X.XXX :±0.10	ANGLES: X :±1° X.X :±0.5°	DSND YangFeng	DATE 2021-01-07
		CHKD ZhouRuicai	DATE 2021-01-07
		APVD XueShunyong	DATE 2021-01-07
WEIGHT: 0.53g		SCALE: 1:1	VIEW:
SHEET 1 OF 1		UNIT: mm	REV.: A/0
		SIZE:	OBJECT: MY
			TITLE: 电池扣CR1632-W SMT
			PART NO.: MY-1632-03
			DRAW NO.: MY-CP-0247

1	TERMINAL(+)	1	PHOSPHOR BRONZE, T=0.25mm	Ni-Plating
NO.	PART NAME	Q'TY	MATERIAL	PLATING & COLOR