

# ADS1119 4-Channel, 1-kSPS, 16-Bit, Delta-Sigma ADC With I<sup>2</sup>C Interface

## 1 Features

- Easy to Use With Only One Register to Program
- Current Consumption as Low as 315  $\mu$ A (typ)
- Wide Supply Range: 2.3 V to 5.5 V
- Rail-to-Rail Input Buffers to Achieve High Input Impedance
- Programmable Gains: 1 and 4
- Programmable Data Rates: Up to 1 kSPS
- 16-Bit, Noise-Free Resolution at 20 SPS
- Simultaneous 50-Hz and 60-Hz Rejection at 20 SPS With Single-Cycle Settling Digital Filter
- Two Differential or Four Single-Ended Inputs
- Internal 2.048-V Reference: 5 ppm/ $^{\circ}$ C (typ) Drift
- Internal 2% Accurate Oscillator
- I<sup>2</sup>C-Compatible Interface
- Supported I<sup>2</sup>C Bus Speed Modes: Standard-Mode, Fast-Mode, Fast-Mode Plus
- 16 Pin-Configurable I<sup>2</sup>C Addresses
- Package: 3.0-mm  $\times$  3.0-mm  $\times$  0.75-mm WQFN

## 2 Applications

- Battery Test Equipment
- Gas Detectors
- Heat Meters
- Optical Modules
- Wearable Fitness and Activity Trackers

## 3 Description

The ADS1119 is a precision, 16-bit, analog-to-digital converter (ADC) that includes all features necessary to implement the most common system monitoring functions, such as supply voltage, current, and temperature monitoring. The device features two differential or four single-ended inputs through a flexible input multiplexer (MUX), rail-to-rail input buffers, a programmable gain stage, a voltage reference, and an oscillator.

The device includes buffers that allow high-impedance sources to be directly connected to the device. A gain stage follows the buffers which provides selectable gains of 1 and 4. The ADS1119 can perform conversions at data rates as high as 1000 samples per second (SPS) with single-cycle settling. At 20 SPS, the digital filter offers simultaneous 50-Hz and 60-Hz rejection for noisy industrial applications.

The ADS1119 features a 2-wire, I<sup>2</sup>C-compatible interface that supports I<sup>2</sup>C bus speeds up to 1 Mbps. 16 different I<sup>2</sup>C addresses can be selected for the device via two address pins.

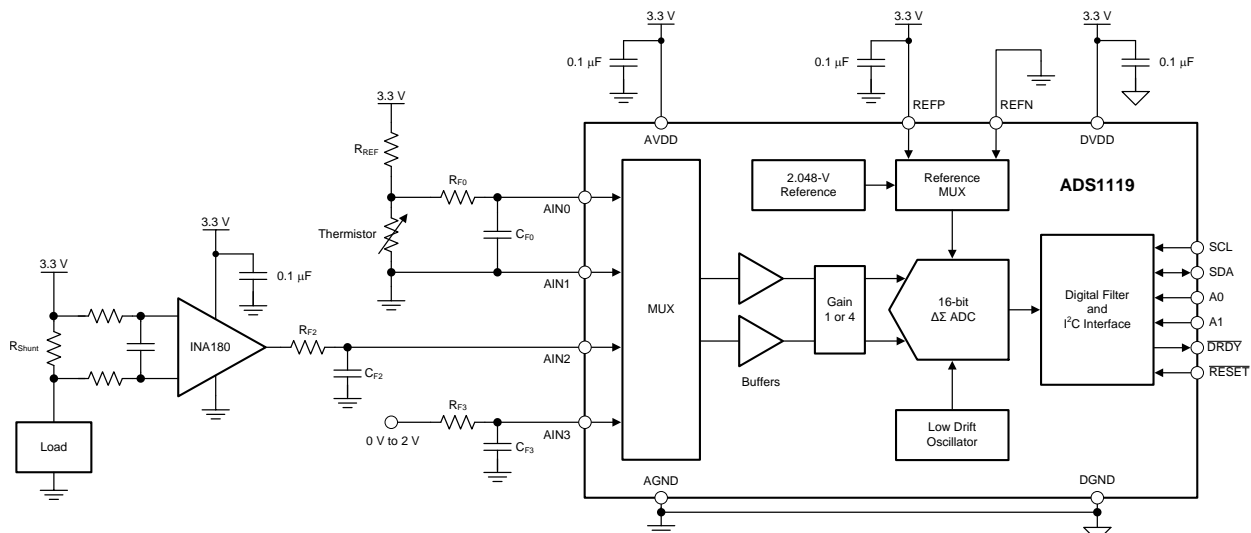
The ADS1119 is offered in a leadless 16-pin WQFN or a 16-pin TSSOP package and is specified over a temperature range of  $-40^{\circ}$ C to  $+125^{\circ}$ C.

### Device Information<sup>(1)</sup>

PART NUMBER	PACKAGE	BODY SIZE (NOM)
ADS1119	WQFN (16)	3.00 mm $\times$ 3.00 mm
	TSSOP (16)	5.00 mm $\times$ 4.40 mm

(1) For all available packages, see the orderable addendum at the end of the data sheet.

### Voltage, Current, and Temperature Monitoring Application



## Table of Contents

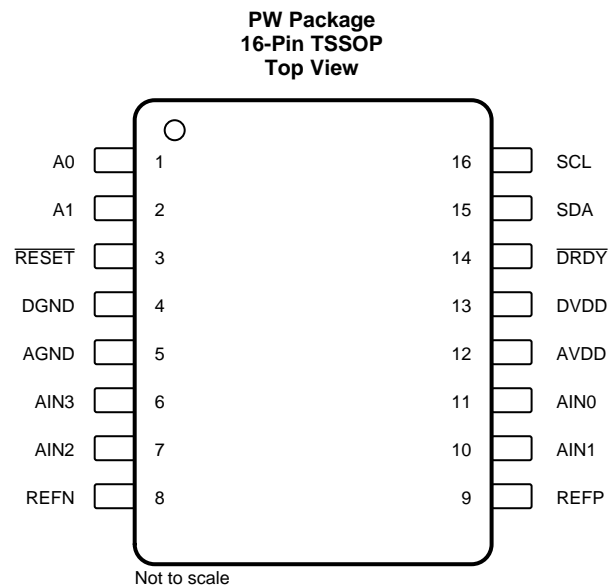
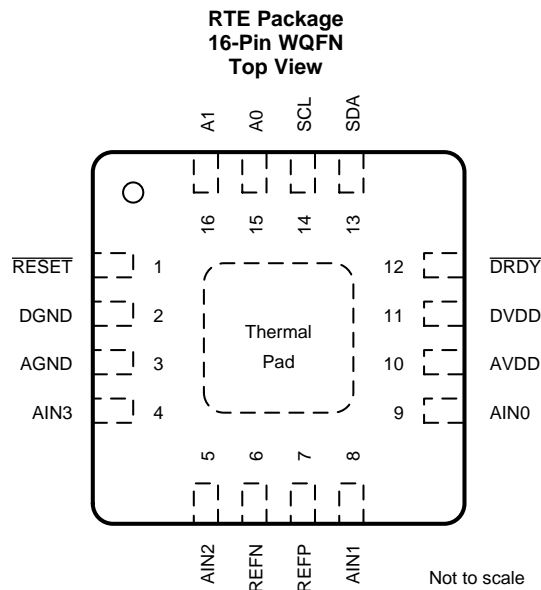
<b>1 Features</b> .....	1	8.5 Programming.....	22
<b>2 Applications</b> .....	1	8.6 Register Map.....	27
<b>3 Description</b> .....	1	<b>9 Application and Implementation</b> .....	30
<b>4 Revision History</b> .....	2	9.1 Application Information.....	30
<b>5 Pin Configuration and Functions</b> .....	3	9.2 Typical Application .....	34
<b>6 Specifications</b> .....	4	<b>10 Power Supply Recommendations</b> .....	37
6.1 Absolute Maximum Ratings .....	4	10.1 Power-Supply Sequencing.....	37
6.2 ESD Ratings.....	4	10.2 Power-Supply Decoupling.....	37
6.3 Recommended Operating Conditions.....	4	<b>11 Layout</b> .....	38
6.4 Thermal Information .....	5	11.1 Layout Guidelines .....	38
6.5 Electrical Characteristics.....	5	11.2 Layout Example .....	39
6.6 I <sup>2</sup> C Timing Requirements.....	7	<b>12 Device and Documentation Support</b> .....	40
6.7 I <sup>2</sup> C Switching Characteristics.....	8	12.1 Device Support.....	40
6.8 Typical Characteristics.....	10	12.2 Documentation Support .....	40
<b>7 Parameter Measurement Information</b> .....	14	12.3 Receiving Notification of Documentation Updates	40
7.1 Noise Performance .....	14	12.4 Community Resources.....	40
<b>8 Detailed Description</b> .....	15	12.5 Trademarks .....	40
8.1 Overview .....	15	12.6 Electrostatic Discharge Caution.....	40
8.2 Functional Block Diagram .....	15	12.7 Glossary .....	40
8.3 Feature Description.....	16	<b>13 Mechanical, Packaging, and Orderable</b>	
8.4 Device Functional Modes.....	20	<b>Information</b> .....	40

## 4 Revision History

NOTE: Page numbers for previous revisions may differ from page numbers in the current version.

DATE	REVISION	NOTES
August 2018	*	Initial release.

## 5 Pin Configuration and Functions



### Pin Functions

NAME	PIN NO.		ANALOG OR DIGITAL INPUT/OUTPUT	DESCRIPTION <sup>(1)</sup>
	RTE	PW		
A0	15	1	Digital input	I <sup>2</sup> C slave address select pin 0. See the <a href="#">I<sup>2</sup>C Address</a> section for details.
A1	16	2	Digital input	I <sup>2</sup> C slave address select pin 1. See the <a href="#">I<sup>2</sup>C Address</a> section for details.
AIN0	9	11	Analog input	Analog input 0
AIN1	8	10	Analog input	Analog input 1
AIN2	5	7	Analog input	Analog input 2
AIN3	4	6	Analog input	Analog input 3
AGND	3	5	Analog supply	Negative analog power supply
AVDD	10	12	Analog supply	Positive analog power supply. Connect a 100-nF (or larger) capacitor to AGND.
DGND	2	4	Digital supply	Digital ground
DRDY	12	14	Digital output	Data ready, active low. Connect to DVDD using a pullup resistor.
DVDD	11	13	Digital supply	Positive digital power supply. Connect a 100-nF (or larger) capacitor to DGND.
REFN	6	8	Analog input	Negative reference input
REFP	7	9	Analog input	Positive reference input
RESET	1	3	Digital input	Reset, active low
SCL	14	16	Digital input	Serial clock input. Connect to DVDD using a pullup resistor.
SDA	13	15	Digital input/output	Serial data input and output. Connect to DVDD using a pullup resistor.
Thermal pad	Pad	—	—	Thermal power pad. Connect to AGND.

(1) See the [Unused Inputs and Outputs](#) section for details on how to connect unused pins.

## 6 Specifications

### 6.1 Absolute Maximum Ratings<sup>(1)</sup>

		MIN	MAX	UNIT
Power-supply voltage	AVDD to AGND	−0.3	7	V
	DVDD to DGND	−0.3	7	
	AGND to DGND	−2.8	0.3	
Analog input voltage	AIN0, AIN1, AIN2, AIN3, REFP, REFN	AGND − 0.3	AVDD + 0.3	V
Digital input voltage	SCL, SDA, A0, A1, $\overline{\text{DRDY}}$ , $\overline{\text{RESET}}$	DGND − 0.3	7	V
Input current	Continuous, any pin except power-supply pins	−10	10	mA
Temperature	Junction, T <sub>J</sub>		150	°C
	Storage, T <sub>stg</sub>	−60	150	

(1) Stresses beyond those listed under *Absolute Maximum Ratings* may cause permanent damage to the device. These are stress ratings only, which do not imply functional operation of the device at these or any other conditions beyond those indicated under *Recommended Operating Conditions*. Exposure to absolute-maximum-rated conditions for extended periods may affect device reliability.

### 6.2 ESD Ratings

			VALUE	UNIT
V <sub>(ESD)</sub>	Electrostatic discharge	Human-body model (HBM), per ANSI/ESDA/JEDEC JS-001 <sup>(1)</sup>	±2000	V
		Charged-device model (CDM), per JEDEC specification JESD22-C101 <sup>(2)</sup>	±750	

(1) JEDEC document JEP155 states that 500-V HBM allows safe manufacturing with a standard ESD control process.

(2) JEDEC document JEP157 states that 250-V CDM allows safe manufacturing with a standard ESD control process.

### 6.3 Recommended Operating Conditions

over operating ambient temperature range (unless otherwise noted)

			MIN	NOM	MAX	UNIT
<b>POWER SUPPLY</b>						
Analog power supply	AVDD to AGND		2.3		5.5	V
	AGND to DGND		−0.1	0	0.1	
Digital power supply	DVDD to DGND		2.3		5.5	V
<b>ANALOG INPUTS<sup>(1)</sup></b>						
V <sub>(AINx)</sub>	Absolute input voltage	Gain = 1 and 4	AGND − 0.1		AVDD + 0.1	V
V <sub>IN</sub>	Differential input voltage	V <sub>IN</sub> = V <sub>AINP</sub> − V <sub>AINN</sub> <sup>(2)</sup>	−V <sub>REF</sub> / Gain		V <sub>REF</sub> / Gain	V
<b>VOLTAGE REFERENCE INPUTS</b>						
V <sub>REF</sub>	Differential reference input voltage	V <sub>REF</sub> = V <sub>(REFP)</sub> − V <sub>(REFN)</sub>	0.75	2.5	AVDD	V
V <sub>(REFN)</sub>	Absolute negative reference voltage		AGND − 0.1		V <sub>(REFP)</sub> − 0.75	V
V <sub>(REFP)</sub>	Absolute positive reference voltage		V <sub>(REFN)</sub> + 0.75		AVDD + 0.1	V
<b>DIGITAL INPUTS</b>						
Input voltage	SCL, SDA, A0, A1, $\overline{\text{DRDY}}$ , 2.3 V ≤ DVDD < 3.0 V		DGND		DVDD + 0.5	V
	SCL, SDA, A0, A1, $\overline{\text{DRDY}}$ , 3.0 V ≤ DVDD ≤ 5.5 V		DGND		5.5	
	$\overline{\text{RESET}}$		DGND		DVDD	
<b>TEMPERATURE RANGE</b>						
T <sub>A</sub>	Operating ambient temperature		−40		125	°C

(1) AIN<sub>x</sub> denotes one of the four available analog inputs. AIN<sub>P</sub> and AIN<sub>N</sub> denote the positive and negative inputs selected by the MUX.

(2) Excluding the effects of offset and gain error.

## 6.4 Thermal Information

THERMAL METRIC <sup>(1)</sup>		ADS1119		UNIT
		WQFN (RTE)	TSSOP (PW)	
		16 PINS	16 PINS	
R <sub>θJA</sub>	Junction-to-ambient thermal resistance	57.7	90.3	°C/W
R <sub>θJC(top)</sub>	Junction-to-case (top) thermal resistance	29.0	31.7	°C/W
R <sub>θJB</sub>	Junction-to-board thermal resistance	19.9	41.8	°C/W
ψ <sub>JT</sub>	Junction-to-top characterization parameter	0.3	1.8	°C/W
ψ <sub>JB</sub>	Junction-to-board characterization parameter	19.8	41.2	°C/W
R <sub>θJC(bot)</sub>	Junction-to-case (bottom) thermal resistance	11.8	N/A	°C/W

(1) For more information about traditional and new thermal metrics, see the [Semiconductor and IC Package Thermal Metrics](#) application report.

## 6.5 Electrical Characteristics

minimum and maximum specifications apply from T<sub>A</sub> = –40°C to +125°C; typical specifications are at T<sub>A</sub> = 25°C; all specifications are at AVDD = 2.3 V to 5.5 V, DVDD = 3.3 V, all data rates, all gains, and internal reference enabled (unless otherwise noted)

PARAMETER	TEST CONDITIONS	MIN	TYP	MAX	UNIT
<b>ANALOG INPUTS</b>					
Absolute input current	V <sub>IN</sub> = 0 V		±5		nA
Absolute input current drift	V <sub>IN</sub> = 0 V		10		pA/°C
Differential input current	V <sub>CM</sub> = AVDD / 2, –V <sub>REF</sub> / Gain ≤ V <sub>IN</sub> ≤ V <sub>REF</sub> / Gain		±5		nA
Differential input current drift	V <sub>CM</sub> = AVDD / 2, –V <sub>REF</sub> / Gain ≤ V <sub>IN</sub> ≤ V <sub>REF</sub> / Gain		10		pA/°C
<b>SYSTEM PERFORMANCE</b>					
Resolution (no missing codes)		16			Bits
DR	Data rate		20, 90, 330, 1000		SPS
	Noise (input-referred) <sup>(1)</sup>	Gain = 1, DR = 20 SPS	62.5		μV <sub>RMS</sub>
INL	Integral nonlinearity	AVDD = 3.3 V, V <sub>CM</sub> = AVDD / 2, best fit	–15	4	15 ppm <sub>FSR</sub>
V <sub>IO</sub>	Input offset voltage	Differential inputs	±4		μV
	Offset drift vs temperature		0.02	0.1	μV/°C
	Gain error <sup>(2)</sup>		±0.01%		
	Gain drift vs temperature <sup>(2)</sup>		0.3	2	ppm/°C
NMRR	Normal-mode rejection ratio	50 Hz ±1 Hz, DR = 20 SPS	78	88	dB
		60 Hz ±1 Hz, DR = 20 SPS	80	88	
CMRR	Common-mode rejection ratio	At dc, gain = 1, AVDD = 3.3 V	90	105	dB
		f <sub>CM</sub> = 50 Hz or 60 Hz, DR = 20 SPS, AVDD = 3.3 V	105	115	
PSRR	Power-supply rejection ratio	AVDD at dc, V <sub>CM</sub> = AVDD / 2	85	105	dB
		DVDD at dc, V <sub>CM</sub> = AVDD / 2	95	115	
<b>INTERNAL VOLTAGE REFERENCE</b>					
V <sub>REF</sub>	Reference voltage		2.048		V
	Accuracy	T <sub>A</sub> = 25°C	–0.15%	±0.01%	0.15%
	Temperature drift		5	30	ppm/°C
	Long-term drift	1000 hours	110		ppm
<b>VOLTAGE REFERENCE INPUTS</b>					
	Reference input current	REFP = V <sub>REF</sub> , REFN = AGND, AVDD = 3.3 V	±10		nA
<b>INTERNAL OSCILLATOR</b>					
f <sub>CLK</sub>	Frequency		1.024		MHz
	Accuracy		–2%	±1%	2%

(1) See the [Noise Performance](#) section for more information.

(2) Excluding error of voltage reference.

**Electrical Characteristics (continued)**

minimum and maximum specifications apply from  $T_A = -40^{\circ}\text{C}$  to  $+125^{\circ}\text{C}$ ; typical specifications are at  $T_A = 25^{\circ}\text{C}$ ; all specifications are at  $\text{AVDD} = 2.3\text{ V}$  to  $5.5\text{ V}$ ,  $\text{DVDD} = 3.3\text{ V}$ , all data rates, all gains, and internal reference enabled (unless otherwise noted)

PARAMETER	TEST CONDITIONS	MIN	TYP	MAX	UNIT	
<b>DIGITAL INPUTS/OUTPUTS</b>						
$V_{IL}$	Logic input level, low	DGND		0.3 DVDD	V	
$V_{IH}$	Logic input level, high	$2.3\text{ V} \leq \text{DVDD} < 3.0\text{ V}$ , SCL, SDA, A0, A1, $\overline{\text{DRDY}}$	0.7 DVDD	DVDD + 0.5	V	
		$3.0\text{ V} \leq \text{DVDD} \leq 5.5\text{ V}$ , SCL, SDA, A0, A1, $\overline{\text{DRDY}}$	0.7 DVDD	5.5		
		$\overline{\text{RESET}}$	0.7 DVDD	DVDD		
$V_{hys}$	Hysteresis of Schmitt-trigger inputs	Fast-mode, fast-mode plus	0.05 DVDD		V	
$V_{OL}$	Logic output level, low	$I_{OL} = 3\text{ mA}$	DGND	0.15	0.4	V
$I_{OL}$	Low-level output current	$V_{OL} = 0.4\text{ V}$ , standard-mode, fast-mode	3		mA	
		$V_{OL} = 0.4\text{ V}$ , fast-mode plus	20			
		$V_{OL} = 0.6\text{ V}$ , fast-mode	6			
$I_i$	Input current	$\text{DGND} + 0.1\text{ V} < V_{\text{Digital Input}} < \text{DVDD} - 0.1\text{ V}$	-10		10	$\mu\text{A}$
$C_i$	Capacitance	Each pin			10	pF
<b>ANALOG SUPPLY CURRENT (<math>\text{AVDD} = 3.3\text{ V}</math>, <math>V_{IN} = 0\text{ V}</math>)</b>						
$I_{\text{AVDD}}$	Analog supply current	Power-down mode		0.1	3	$\mu\text{A}$
		Conversion mode, internal reference selected		250		
		Conversion mode, external reference selected		310		
<b>DIGITAL SUPPLY CURRENT (<math>\text{DVDD} = 3.3\text{ V}</math>, All Data Rates, <math>I^2\text{C}</math> Not Active)</b>						
$I_{\text{DVDD}}$	Digital supply current	Power-down mode		0.3	5	$\mu\text{A}$
		Conversion mode		65	100	
<b>POWER DISSIPATION (<math>\text{AVDD} = \text{DVDD} = 3.3\text{ V}</math>, All Data Rates, <math>V_{IN} = 0\text{ V}</math>, <math>I^2\text{C}</math> Not Active)</b>						
$P_D$	Power dissipation	Conversion mode, internal reference selected		1.04		mW

## 6.6 I<sup>2</sup>C Timing Requirements

over operating ambient temperature range and DVDD = 2.3 V to 5.5 V, bus capacitance = 10 pF to 400 pF, and pullup resistor = 1 k $\Omega$  (unless otherwise noted)

		MIN	MAX	UNIT	
<b>STANDARD-MODE</b>					
f <sub>SCL</sub>	SCL clock frequency	0	100	kHz	
t <sub>HD:STA</sub>	Hold time, (repeated) START condition. After this period, the first clock pulse is generated.	4		$\mu$ s	
t <sub>LOW</sub>	Pulse duration, SCL low	4.7		$\mu$ s	
t <sub>HIGH</sub>	Pulse duration, SCL high	4.0		$\mu$ s	
t <sub>SU:STA</sub>	Setup time, repeated START condition	4.7		$\mu$ s	
t <sub>HD:DAT</sub>	Hold time, data	0		$\mu$ s	
t <sub>SU:DAT</sub>	Setup time, data	250		ns	
t <sub>r</sub>	Rise time, SCL, SDA		1000	ns	
t <sub>f</sub>	Fall time, SCL, SDA		250	ns	
t <sub>SU:STO</sub>	Setup time, STOP condition	4.0		$\mu$ s	
t <sub>BUF</sub>	Bus free time, between STOP and START condition	4.7		$\mu$ s	
t <sub>VD:DAT</sub>	Valid time, data		3.45	$\mu$ s	
t <sub>VD:ACK</sub>	Valid time, acknowledge		3.45	$\mu$ s	
<b>FAST-MODE</b>					
f <sub>SCL</sub>	SCL clock frequency	0	400	kHz	
t <sub>HD:STA</sub>	Hold time, (repeated) START condition. After this period, the first clock pulse is generated.	0.6		$\mu$ s	
t <sub>LOW</sub>	Pulse duration, SCL low	1.3		$\mu$ s	
t <sub>HIGH</sub>	Pulse duration, SCL high	0.6		$\mu$ s	
t <sub>SU:STA</sub>	Setup time, repeated START condition	0.6		$\mu$ s	
t <sub>HD:DAT</sub>	Hold time, data	0		$\mu$ s	
t <sub>SU:DAT</sub>	Setup time, data	100		ns	
t <sub>r</sub>	Rise time, SCL, SDA	20	300	ns	
t <sub>f</sub>	Fall time, SCL, SDA	20 · (DVDD / 5.5 V)	250	ns	
t <sub>SU:STO</sub>	Setup time, STOP condition	0.6		$\mu$ s	
t <sub>BUF</sub>	Bus free time, between STOP and START condition	1.3		$\mu$ s	
t <sub>VD:DAT</sub>	Valid time, data		0.9	$\mu$ s	
t <sub>VD:ACK</sub>	Valid time, acknowledge		0.9	$\mu$ s	
t <sub>SP</sub>	Pulse width of spikes that must be suppressed by the input filter	0	50	ns	
<b>FAST-MODE PLUS</b>					
f <sub>SCL</sub>	SCL clock frequency	0	1000	kHz	
t <sub>HD:STA</sub>	Hold time, (repeated) START condition. After this period, the first clock pulse is generated.	0.26		$\mu$ s	
t <sub>LOW</sub>	Pulse duration, SCL low	0.5		$\mu$ s	
t <sub>HIGH</sub>	Pulse duration, SCL high	0.26		$\mu$ s	
t <sub>SU:STA</sub>	Setup time, repeated START condition	0.26		$\mu$ s	
t <sub>HD:DAT</sub>	Hold time, data	0		$\mu$ s	
t <sub>SU:DAT</sub>	Setup time, data	50		ns	
t <sub>r</sub>	Rise time, SCL, SDA		120	ns	
t <sub>f</sub>	Fall time, SCL, SDA	Pullup resistor = 350 $\Omega$	20 · (DVDD / 5.5 V)	120	ns
t <sub>SU:STO</sub>	Setup time, STOP condition	0.26		$\mu$ s	
t <sub>BUF</sub>	Bus free time, between STOP and START condition	0.5		$\mu$ s	
t <sub>VD:DAT</sub>	Valid time, data		0.45	$\mu$ s	
t <sub>VD:ACK</sub>	Valid time, acknowledge		0.45	$\mu$ s	
t <sub>SP</sub>	Pulse duration of spikes that must be suppressed by the input filter	0	50	ns	

### I<sup>2</sup>C Timing Requirements (continued)

over operating ambient temperature range and DVDD = 2.3 V to 5.5 V, bus capacitance = 10 pF to 400 pF, and pullup resistor = 1 kΩ (unless otherwise noted)

		MIN	MAX	UNIT
<b>RESET PIN</b>				
$t_{w(RSL)}$	Pulse duration, $\overline{RESET}$ low	250		ns
$t_{d(RSSTA)}$	Delay time, START condition after $\overline{RESET}$ rising edge <sup>(1)</sup>	100		ns
<b>DRDY PIN</b>				
$t_{d(DRSTA)}$	Delay time, START condition after $\overline{DRDY}$ falling edge	0		ns
<b>TIMEOUT</b>				
	Timeout <sup>(2)</sup>		14000	$t_{MOD}$

- (1) No delay time is required when using the RESET command as long as all I<sup>2</sup>C timing requirements for the (repeated) START and STOP conditions are met.
- (2) See the *Timeout* section for more information.  
 $t_{MOD} = 1 / f_{MOD}$ . Modulator frequency  $f_{MOD} = 256$  kHz.

### 6.7 I<sup>2</sup>C Switching Characteristics

over operating ambient temperature range, DVDD = 2.3 V to 5.5 V, bus capacitance = 10 pF to 400 pF, and pullup resistor = 1 kΩ (unless otherwise noted)

PARAMETER	TEST CONDITIONS	MIN	TYP	MAX	UNIT
$t_{w(DRH)}$	Pulse duration, $\overline{DRDY}$ high <sup>(1)</sup>	2			$t_{MOD}$
$t_{p(RDDR)}$	Propagation delay time, RDATA command latched to DRDY rising edge		2		$t_{MOD}$

- (1)  $t_{MOD} = 1 / f_{MOD}$ . Modulator frequency  $f_{MOD} = 256$  kHz.

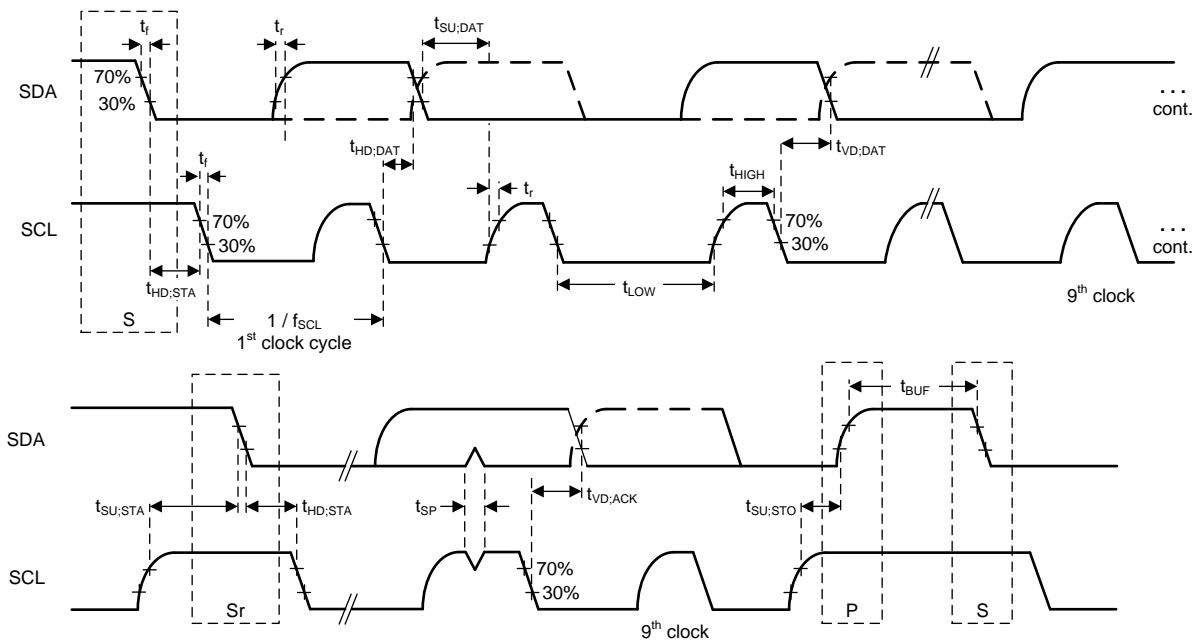


Figure 1. I<sup>2</sup>C Timing Requirements



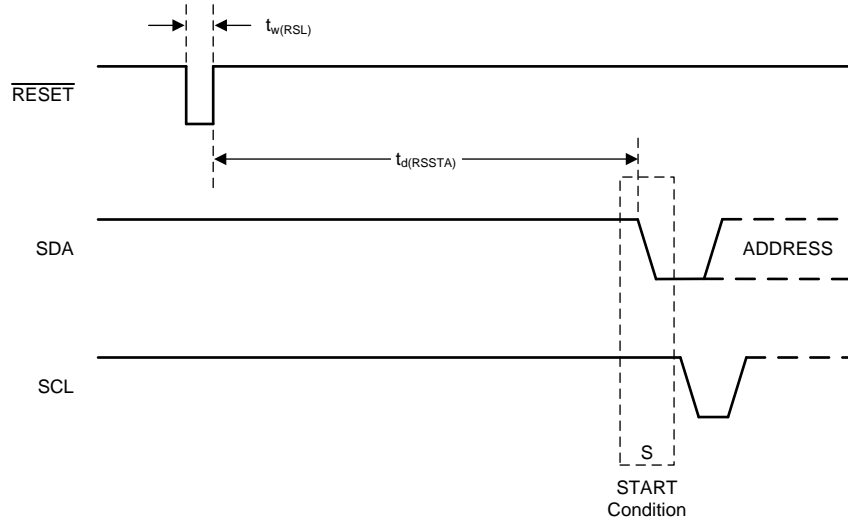


Figure 2.  $\overline{RESET}$  Pin Timing Requirements

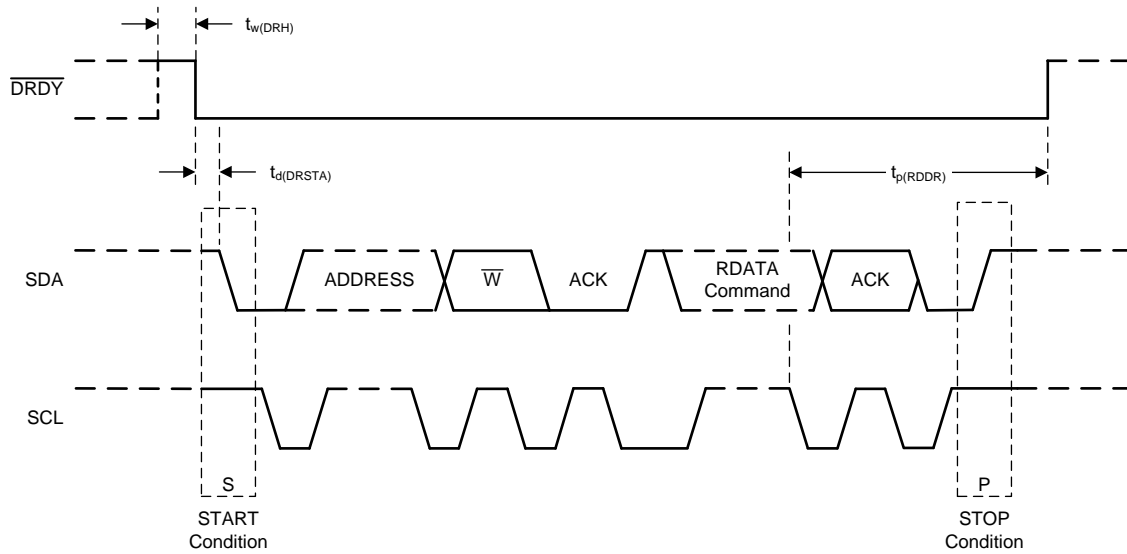


Figure 3.  $\overline{DRDY}$  Pin Timing Requirements and Switching Characteristics

### 6.8 Typical Characteristics

at  $T_A = 25^\circ\text{C}$ ,  $AVDD = 3.3\text{ V}$ , and using internal  $V_{REF} = 2.048\text{ V}$  (unless otherwise noted)

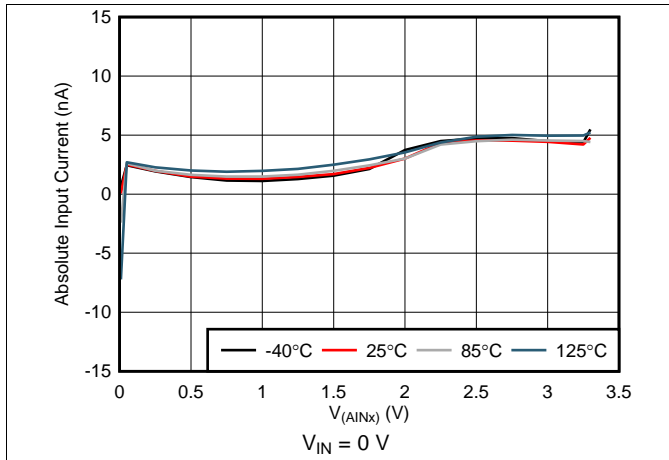


Figure 4. Absolute Input current vs Absolute Input Voltage

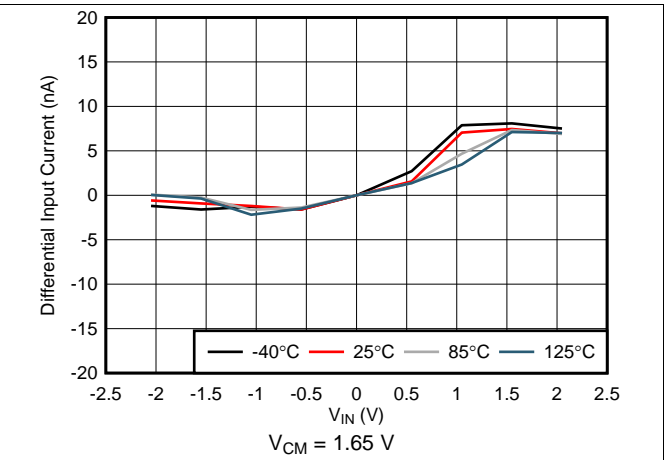


Figure 5. Differential Input Current vs Differential Input Voltage

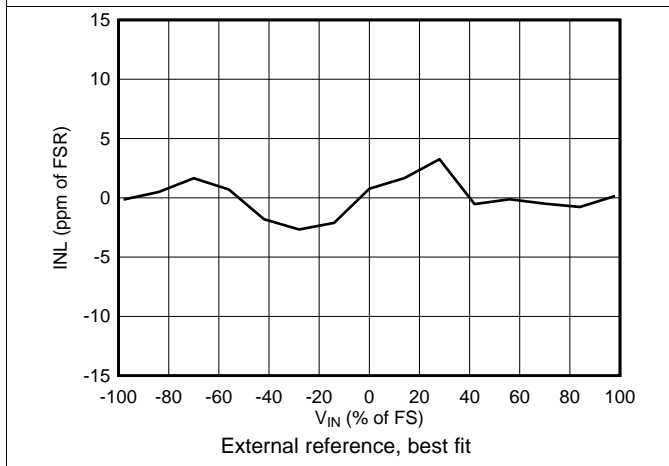


Figure 6. INL vs Differential Input Voltage

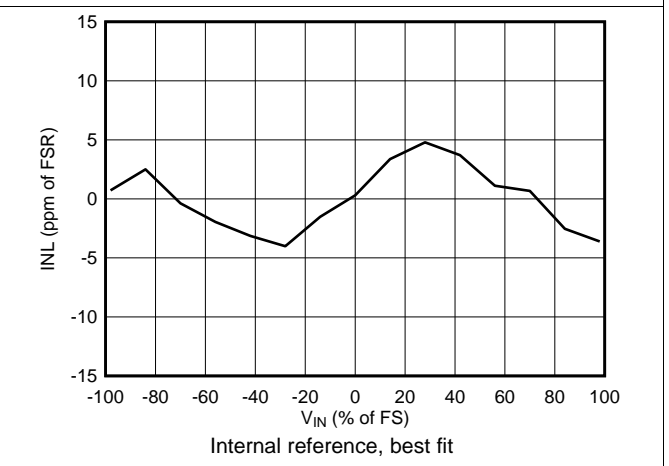


Figure 7. INL vs Differential Input Voltage

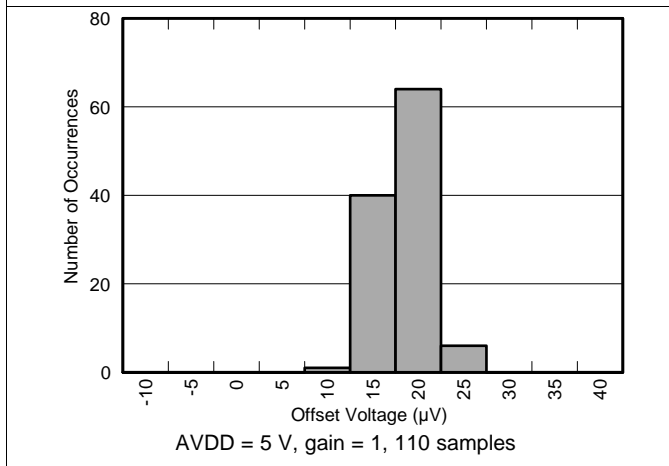


Figure 8. Offset Voltage Histogram

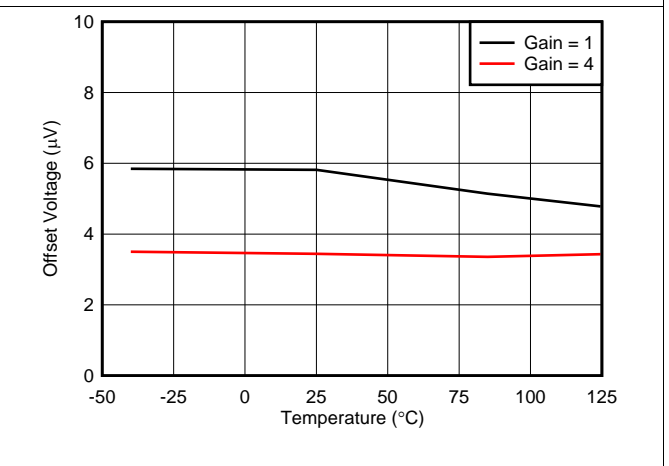
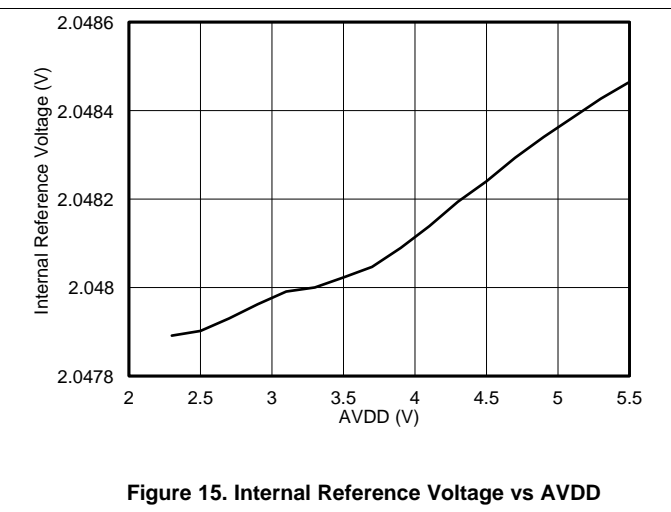
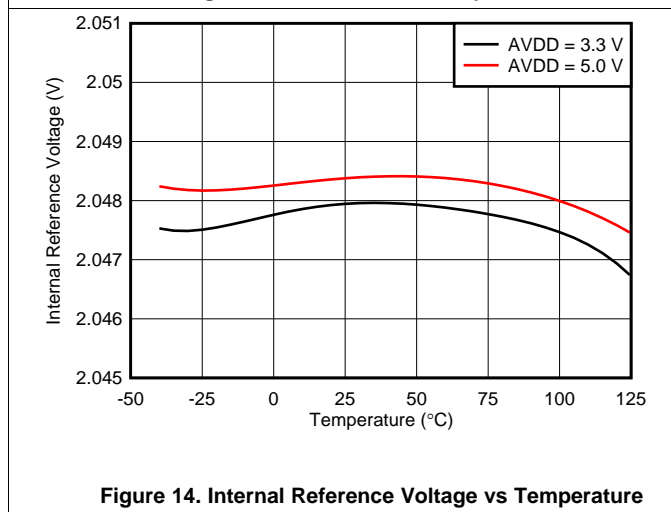
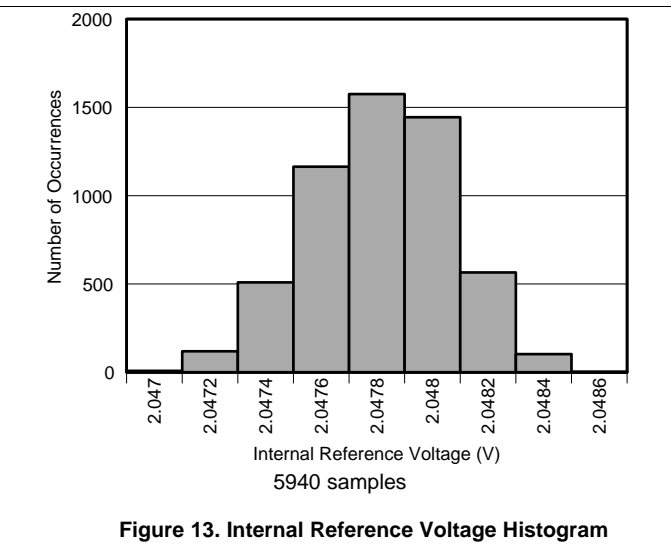
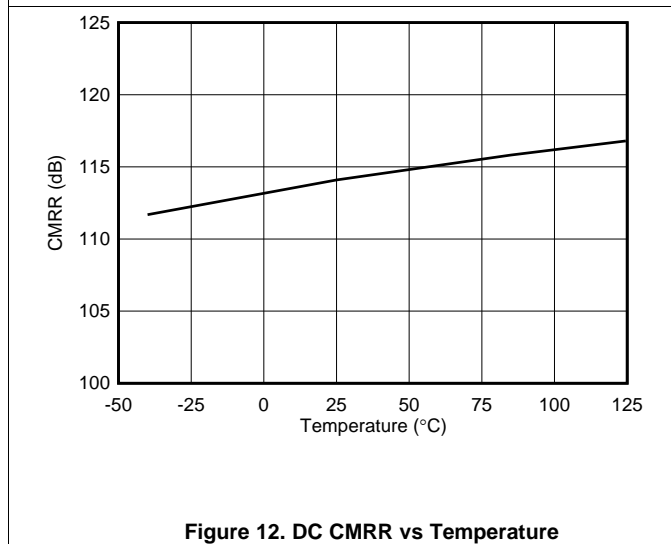
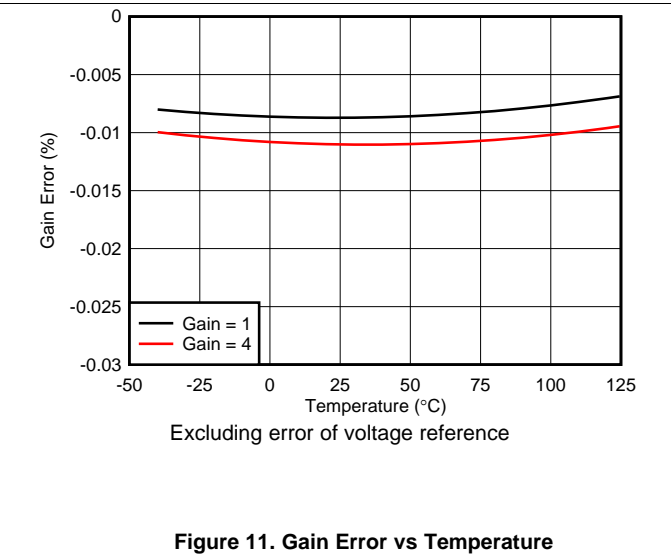
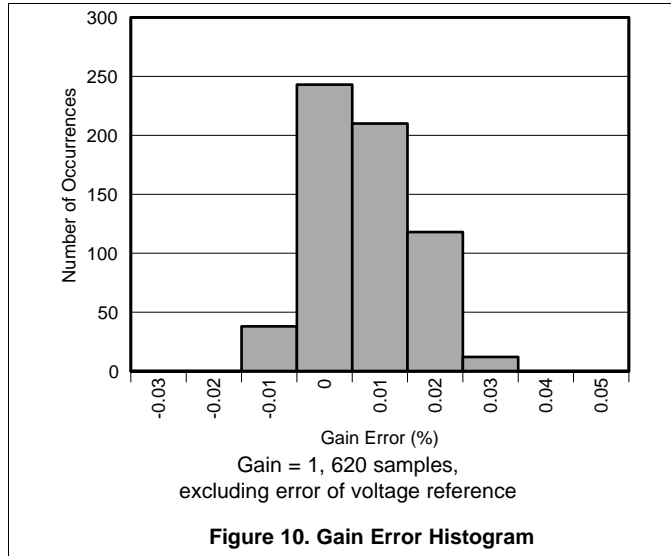


Figure 9. Input Offset Voltage vs Temperature

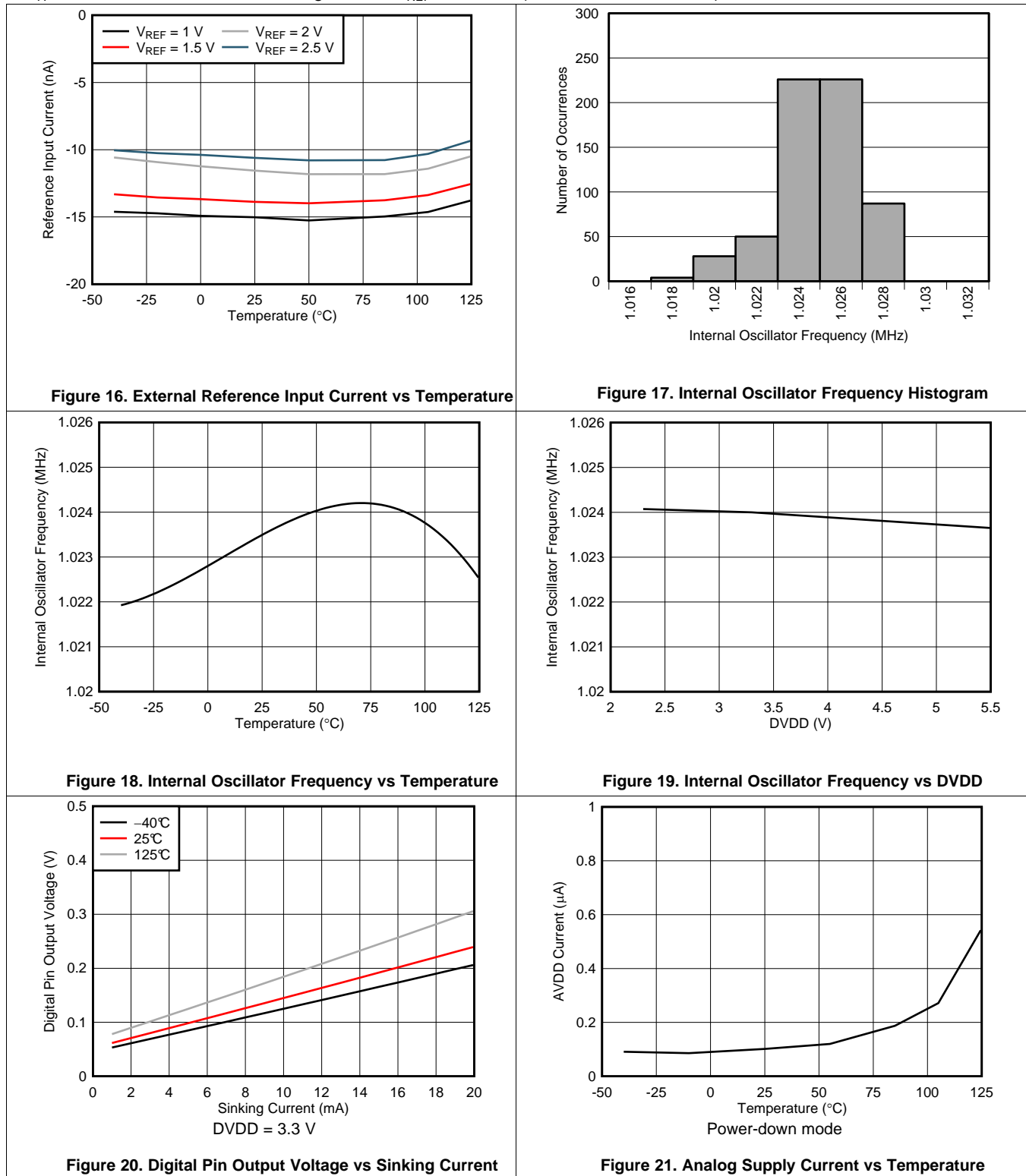
Typical Characteristics (continued)

at  $T_A = 25^\circ\text{C}$ ,  $AVDD = 3.3\text{ V}$ , and using internal  $V_{REF} = 2.048\text{ V}$  (unless otherwise noted)



### Typical Characteristics (continued)

at  $T_A = 25^\circ\text{C}$ ,  $AVDD = 3.3\text{ V}$ , and using internal  $V_{REF} = 2.048\text{ V}$  (unless otherwise noted)



Typical Characteristics (continued)

at  $T_A = 25^\circ\text{C}$ ,  $AVDD = 3.3\text{ V}$ , and using internal  $V_{REF} = 2.048\text{ V}$  (unless otherwise noted)

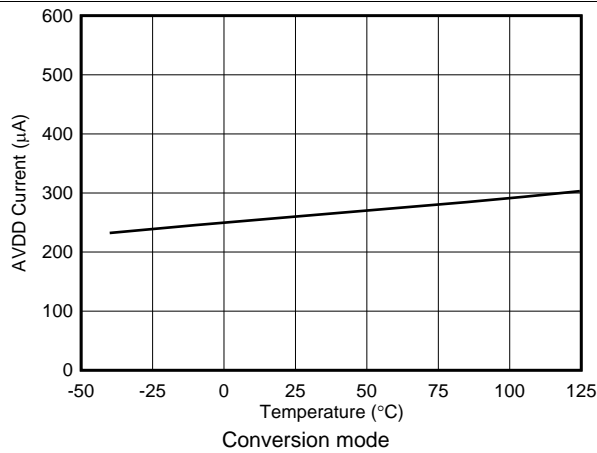


Figure 22. Analog Supply Current vs Temperature

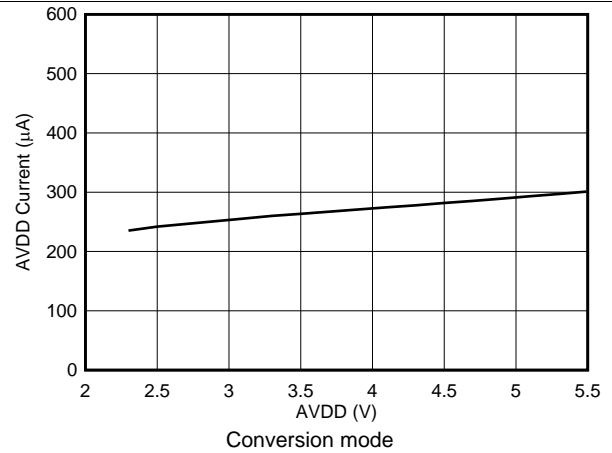


Figure 23. Analog Supply Current vs AVDD

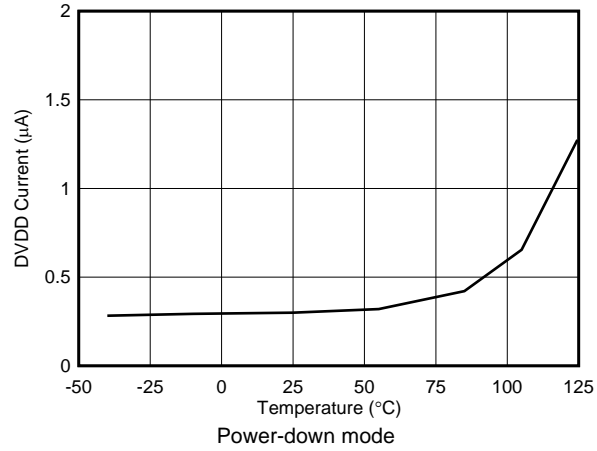


Figure 24. Digital Supply Current vs Temperature

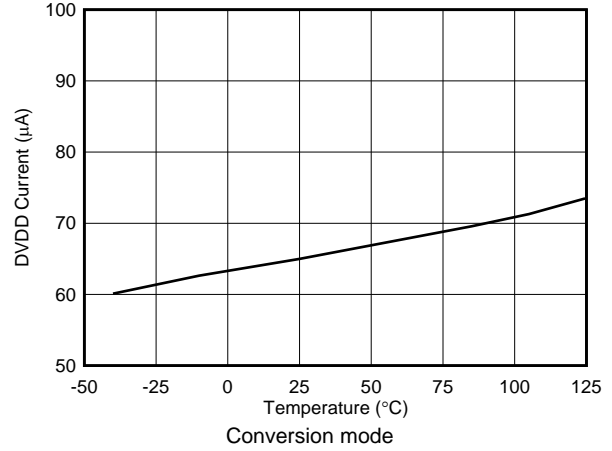


Figure 25. Digital Supply Current vs Temperature

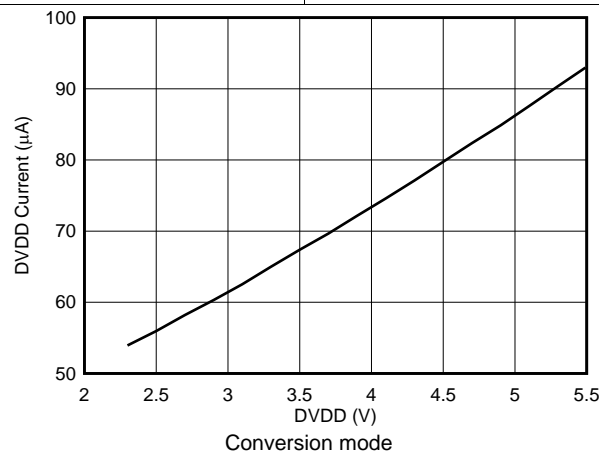


Figure 26. Digital Supply Current vs DVDD

## 7 Parameter Measurement Information

### 7.1 Noise Performance

Delta-sigma ( $\Delta\Sigma$ ) analog-to-digital converters (ADCs) are based on the principle of oversampling. The input signal of a  $\Delta\Sigma$  ADC is sampled at a high frequency (modulator frequency) and subsequently filtered and decimated in the digital domain to yield a conversion result at the respective output data rate. The ratio between modulator frequency and output data rate is called *oversampling ratio* (OSR). By increasing the OSR, and thus reducing the output data rate, the noise performance of the ADC can be optimized. In other words, the input-referred noise drops when reducing the output data rate because more samples of the internal modulator are averaged to yield one conversion result. Increasing the gain also reduces the input-referred noise, which is particularly useful when measuring low-level signals.

[Table 1](#) and [Table 2](#) summarize the device noise performance. Data are representative of typical noise performance at  $T_A = 25^\circ\text{C}$  using the internal 2.048-V reference. Data shown are the result of averaging readings from a single device over a time period of approximately 0.75 seconds and are measured with the inputs internally shorted together. [Table 1](#) lists the input-referred noise in units of  $\mu\text{V}_{\text{RMS}}$  for the conditions shown. Values in  $\mu\text{V}_{\text{PP}}$  are shown in parenthesis. [Table 2](#) lists the corresponding data in effective resolution calculated from  $\mu\text{V}_{\text{RMS}}$  values using [Equation 1](#). Noise-free resolution calculated from peak-to-peak noise values using [Equation 2](#) are shown in parenthesis.

The input-referred noise only changes marginally when using an external low-noise reference, such as the [REF5020](#). Use [Equation 1](#) and [Equation 2](#) to calculate effective resolution numbers and noise-free resolution when using a reference voltage other than 2.048 V:

$$\text{Effective Resolution} = \ln [2 \cdot V_{\text{REF}} / (\text{Gain} \cdot V_{\text{RMS-Noise}})] / \ln(2) \quad (1)$$

$$\text{Noise-Free Resolution} = \ln [2 \cdot V_{\text{REF}} / (\text{Gain} \cdot V_{\text{PP-Noise}})] / \ln(2) \quad (2)$$

**Table 1. Noise in  $\mu\text{V}_{\text{RMS}}$  ( $\mu\text{V}_{\text{PP}}$ )  
at AVDD = 3.3 V and Internal  $V_{\text{REF}} = 2.048$  V**

DATA RATE (SPS)	GAIN	
	1	4
20	62.50 (62.50)	15.63 (15.63)
90	62.50 (62.50)	15.63 (15.63)
330	62.50 (106.06)	15.63 (26.30)
1000	62.50 (221.61)	15.63 (55.07)

**Table 2. Effective Resolution From RMS Noise (Noise-Free Resolution From Peak-to-Peak Noise)  
at AVDD = 3.3 V and Internal  $V_{\text{REF}} = 2.048$  V**

DATA RATE (SPS)	GAIN	
	1	4
20	16 (16)	16 (16)
90	16 (16)	16 (16)
330	16 (15.24)	16 (15.25)
1000	16 (14.17)	16 (14.18)

## 8 Detailed Description

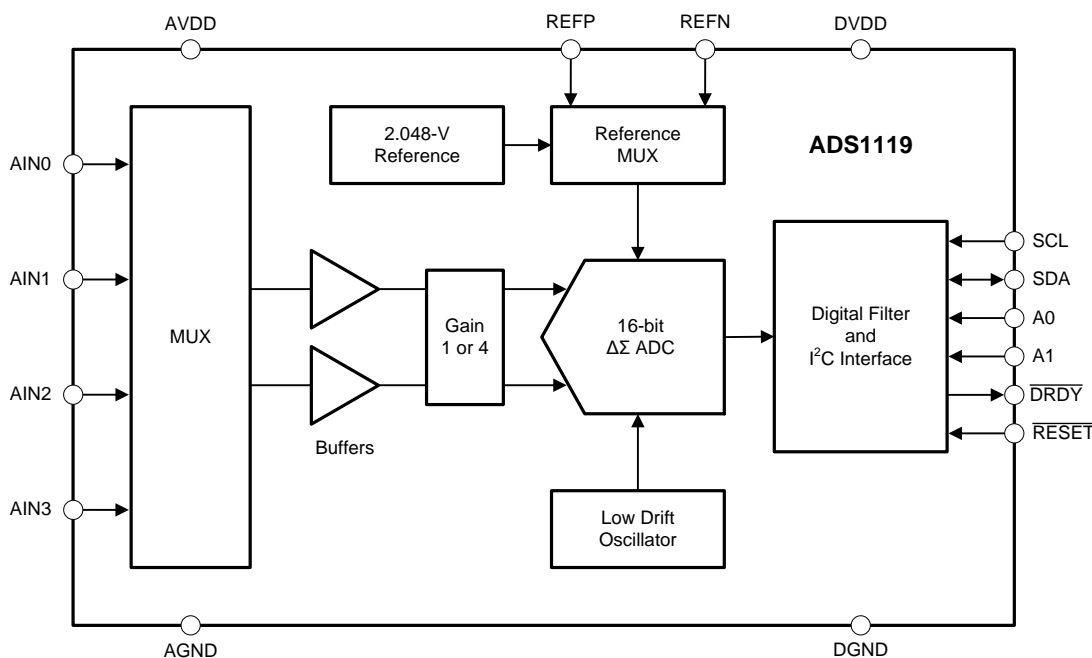
### 8.1 Overview

The ADS1119 is a small, low-power, 16-bit,  $\Delta\Sigma$  ADC. In addition to the  $\Delta\Sigma$  ADC core and single-cycle settling digital filter, the device offers a multiplexer (MUX), rail-to-rail input buffers, a programmable gain stage, an internal 2.048-V voltage reference, and a clock oscillator. All of these features are intended to reduce the required external circuitry in typical voltage, current, and temperature monitoring applications. The device is fully configured through a single register and controlled by six commands through an I<sup>2</sup>C-compatible interface. The [Functional Block Diagram](#) section shows the device functional block diagram.

The MUX selects the positive ( $A_{INP}$ ) and negative ( $A_{INN}$ ) signals that feed into the rail-to-rail input buffers. A gain stage with selectable gains of 1 and 4 follows the input buffers. The 16-bit ADC measures the differential signal provided after the gain stage. The converter core consists of a differential, switched-capacitor,  $\Delta\Sigma$  modulator followed by a digital filter. The digital filter receives a high-speed bitstream from the modulator and outputs a code proportional to the input voltage. This architecture results in a very strong attenuation of any common-mode signal.

The device has two available conversion modes: single-shot conversion and continuous conversion mode. In single-shot conversion mode, the ADC performs one conversion of the input signal upon request and stores the value in an internal data buffer. The device then enters a low-power state to save power. Single-shot conversion mode is intended to provide significant power savings in systems that require only periodic conversions, or when there are long idle periods between conversions. In continuous conversion mode, the ADC automatically begins a conversion of the input signal as soon as the previous conversion is completed. New data are available at the programmed data rate. Data can be read at any time without concern of data corruption and always reflect the most recently completed conversion.

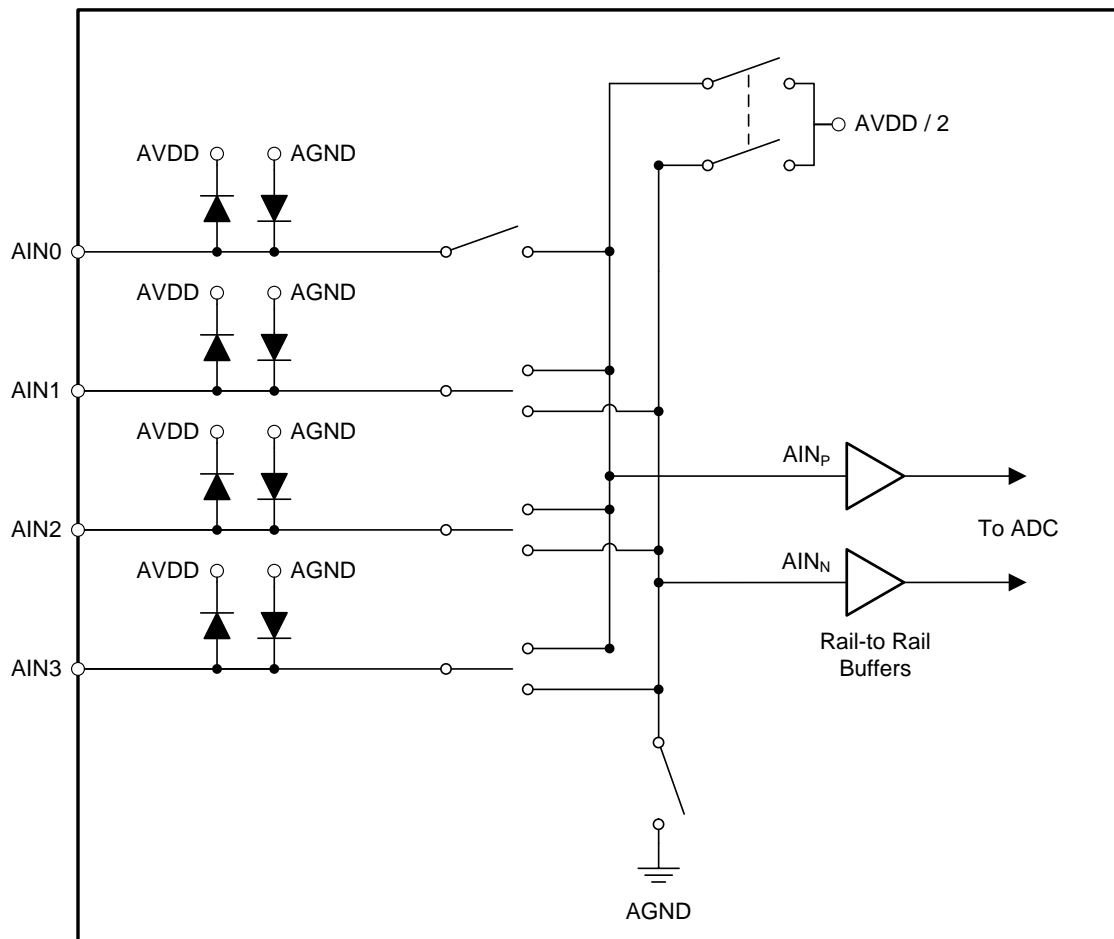
### 8.2 Functional Block Diagram



## 8.3 Feature Description

### 8.3.1 Multiplexer

Figure 27 shows the flexible input multiplexer of the device. Either four single-ended signals, two differential signals, or a combination of two single-ended signals and one differential signal can be measured. The positive ( $A_{IN_P}$ ) and negative ( $A_{IN_N}$ ) inputs selected for measurement are configured by three bits ( $MUX[2:0]$ ) in the configuration register. When single-ended signals need to be measured, the negative ADC input ( $A_{IN_N}$ ) can internally be connected to AGND by a switch within the multiplexer.



**Figure 27. Analog Input Multiplexer**

Electrostatic discharge (ESD) diodes to AVDD and AGND protect the inputs. The absolute voltage on any input must stay within the range provided by Equation 3 to prevent the ESD diodes from turning on:

$$AGND - 0.3 \text{ V} < V_{(A_{INx})} < AVDD + 0.3 \text{ V} \quad (3)$$

If the voltages on the input pins have any potential to violate these conditions, external Schottky clamp diodes or series resistors may be required to limit the input current to safe values (see the [Absolute Maximum Ratings](#) table). Overdriving an unused input on the device can affect conversions taking place on other input pins.



## Feature Description (continued)

### 8.3.2 Rail-to-Rail Input Buffers and Programmable Gain Stage

The ADS1119 integrates two rail-to-rail input buffers to ensure that the effect on the input loading resulting from the capacitor charging and discharging of the  $\Delta\Sigma$  ADC is minimal. The buffers therefore help to increase the input impedance of the device. See the [Electrical Characteristics](#) table for the typical values of absolute input currents (current flowing into or out of each input) and differential input currents (difference in absolute current between the positive and negative input).

The usable absolute input voltage range of the buffers is ( $AGND - 0.1\text{ V} \leq V_{AINP}, V_{AINN} \leq AVDD + 0.1\text{ V}$ ).  $V_{IN}$  denotes the differential input voltage  $V_{IN} = V_{AINP} - V_{AINN}$  between the buffer inputs.

A programmable gain stage follows the buffers. The GAIN bit in the configuration register is used to configure the gain to either 1 or 4.

[Equation 4](#) shows that the differential full-scale input voltage range (FSR) of the device is defined by the gain setting and the reference voltage used:

$$FSR = \pm V_{REF} / \text{Gain} \quad (4)$$

[Table 3](#) shows the corresponding full-scale ranges and least significant bit (LSB) sizes when using the internal 2.048-V reference.

**Table 3. Full-Scale Range and LSB Size**

GAIN SETTING	FSR	LSB SIZE
1	$\pm 2.048\text{ V}$	62.50 $\mu\text{V}$
4	$\pm 0.512\text{ V}$	15.63 $\mu\text{V}$

In order to measure single-ended signals that are referenced to AGND ( $AIN_P = V_{IN}$ ,  $AIN_N = AGND$ ), connect one of the analog inputs to AGND externally or use the internal AGND connection of the multiplexer (MUX[2:0] settings 011 through 110). The device only uses the code range that represents positive differential voltages when measuring single-ended signals. See the [Data Format](#) section for more details.

For signal sources with high output impedance, external buffering may still be necessary. Active buffers can introduce noise as well as offset and gain errors. Consider all of these factors in high-accuracy applications.

### 8.3.3 Voltage Reference

The device offers an integrated, low-drift, 2.048-V reference. For applications that require a different reference voltage value or a ratiometric measurement approach, the device offers a differential reference input pair (REFP and REFN).

The reference source is selected by the VREF bit in the configuration register. By default, the internal reference is selected. The internal voltage reference requires less than 25  $\mu\text{s}$  to fully settle after power-up, when coming out of power-down mode, or when switching from the external reference source to the internal reference.

The differential reference input allows freedom in the reference common-mode voltage. The reference inputs are internally buffered to increase input impedance. Therefore, additional reference buffers are usually not required when using an external reference. When used in ratiometric applications, the reference inputs do not load the external circuitry; however, the analog supply current increases when using an external reference because the reference buffers are enabled.

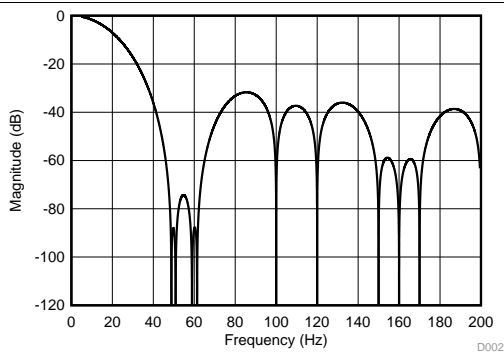
In most cases the conversion result is directly proportional to the stability of the reference source. Any noise and drift of the voltage reference is reflected in the conversion result.

### 8.3.4 Modulator and Internal Oscillator

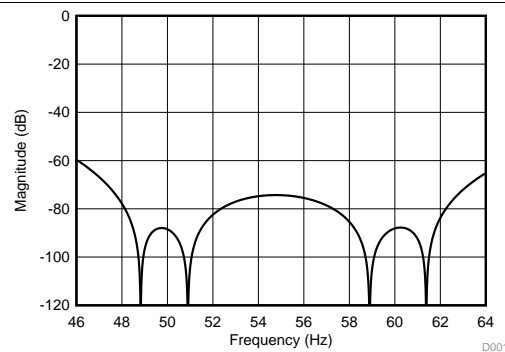
A  $\Delta\Sigma$  modulator is used in the ADS1119 to convert the differential signal provided by the gain stage into a pulse code modulated (PCM) data stream. The modulator runs at a modulator clock frequency of  $f_{MOD} = f_{CLK} / 4 = 256\text{ kHz}$ , where  $f_{CLK}$  is provided by the internal 1.024-MHz oscillator.

### 8.3.5 Digital Filter

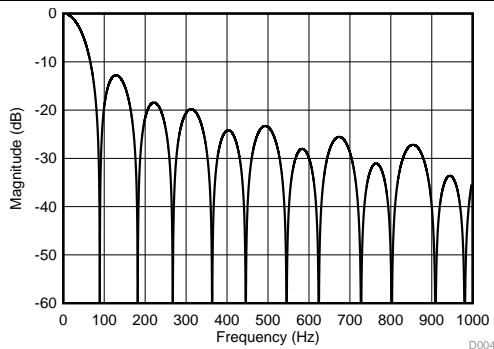
The device uses a linear-phase finite impulse response (FIR) digital filter that performs both filtering and decimation of the digital data stream coming from the modulator. The digital filter is automatically adjusted for the different data rates and always settles within a single cycle. The frequency responses of the digital filter are shown in [Figure 28](#) to [Figure 32](#) for different output data rates. The filter notches and output data rate scale proportionally with the clock frequency. The internal oscillator can vary over temperature as specified in the [Electrical Characteristics](#) table. The data rate or conversion time, respectively, and consequently also the filter notches vary proportionally.



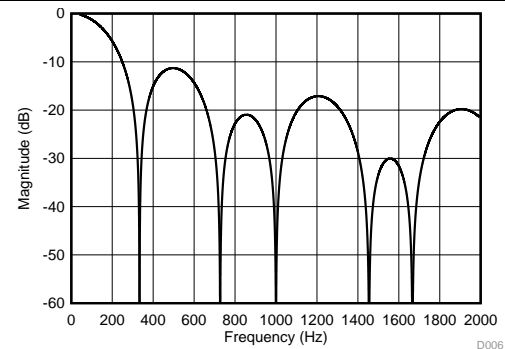
**Figure 28. Filter Response (DR = 20 SPS)**



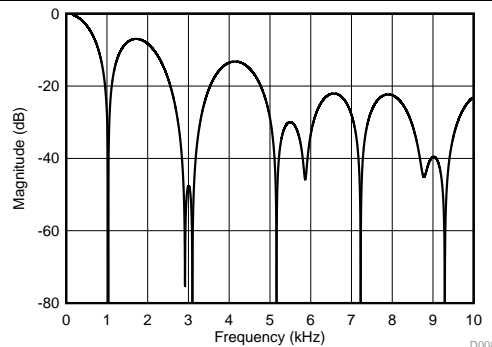
**Figure 29. Detailed View of the Filter Response (DR = 20 SPS)**



**Figure 30. Filter Response (DR = 90 SPS)**



**Figure 31. Filter Response (DR = 330 SPS)**



**Figure 32. Filter Response (DR = 1 kSPS)**

### 8.3.6 Conversion Times

Table 4 shows the actual conversion times for each data rate setting. The values provided are in terms of  $t_{CLK}$  cycles and in milliseconds.

Continuous conversion mode data rates are timed from one  $\overline{DRDY}$  falling edge to the next  $\overline{DRDY}$  falling edge. The first conversion starts  $28.5 \cdot t_{CLK}$  after the START/SYNC command is latched.

Single-shot conversion mode data rates are timed from when the START/SYNC command is latched to the  $\overline{DRDY}$  falling edge and rounded to the next  $t_{CLK}$ .

Commands are latched on the eighth falling edge of SCL in the command byte.

**Table 4. Conversion Times**

NOMINAL DATA RATE (SPS)	-3-dB BANDWIDTH (Hz)	CONTINUOUS CONVERSION MODE <sup>(1)</sup>		SINGLE-SHOT CONVERSION MODE	
		ACTUAL CONVERSION TIME ( $t_{CLK}$ ) <sup>(2)</sup>	ACTUAL CONVERSION TIME (ms)	ACTUAL CONVERSION TIME ( $t_{CLK}$ ) <sup>(2)</sup>	ACTUAL CONVERSION TIME (ms)
20	13.1	51192	49.99	51213	50.01
90	39.6	11532	11.26	11557	11.29
330	150.1	3116	3.04	3141	3.07
1000	483.8	1036	1.01	1061	1.04

(1) The first conversion starts  $28.5 \cdot t_{CLK}$  after the START/SYNC command is latched. The times listed in this table do not include that time.

(2)  $t_{CLK} = 1 / f_{CLK}$ .  $f_{CLK} = 1.024$  MHz.

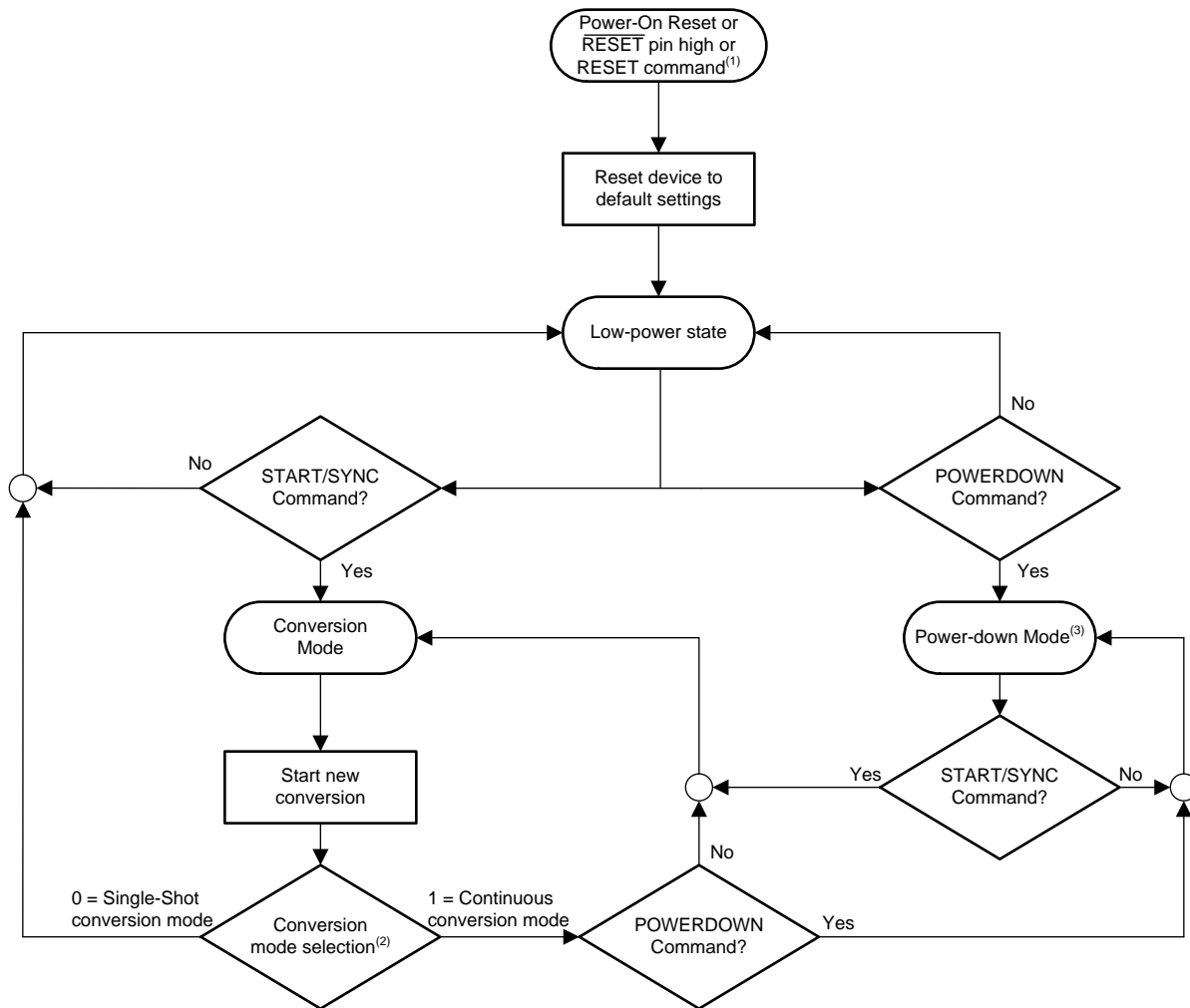
Although the conversion time at the 20-SPS setting is not exactly  $1 / 20$  Hz = 50 ms, this discrepancy does not affect the 50-Hz or 60-Hz rejection. The conversion time and filter notches vary by the amount specified in the [Electrical Characteristics](#) table for oscillator accuracy.

### 8.3.7 Offset Calibration

The ADS1119 does not offer any self-calibration options. However the internal multiplexer offers the option to short both inputs ( $A_{INP}$  and  $A_{INN}$ ) to mid-supply  $AVDD / 2$ . This option can be used to measure and calibrate the device offset voltage by storing the result of the shorted input voltage reading in a microcontroller and consequently subtracting the result from each following reading. Take multiple readings with the inputs shorted and average the result to reduce the effect of noise.

### 8.4 Device Functional Modes

Figure 33 shows a flow chart of the different operating modes and how the device transitions from one mode to another.



- (1) Any reset (power-on, command, or pin) immediately resets the device.
- (2) The conversion mode is selected with the CM bit in the configuration register.
- (3) The POWERDOWN command allows any ongoing conversion to complete before placing the device in power-down mode.

Figure 33. Operating Flow Chart

#### 8.4.1 Power-Up and Reset

The ADS1119 is reset in one of three ways: either by a power-on reset, by the  $\overline{\text{RESET}}$  pin, or by a RESET command.

When a reset occurs, the configuration register resets to the default values and the device enters a low-power state. The device then waits for the START/SYNC command to enter conversion mode; see the [I<sup>2</sup>C Timing Requirements](#) table for reset timing information.

## Device Functional Modes (continued)

### 8.4.1.1 Power-On Reset

During power up, the device is held in reset. The power-on reset releases approximately 500  $\mu$ s after both supplies have exceeded their respective power-up reset thresholds. After this time all internal circuitry (including the voltage reference) are stable and communication with the device is possible. As part of the power-on reset process, the device sets all bits in the configuration register to the respective default settings. After power-up, the device enters a low-power state. This power-up behavior is intended to prevent systems with tight power-supply requirements from encountering a current surge during power-up.

### 8.4.1.2 $\overline{\text{RESET}}$ Pin

Reset the ADC by taking the  $\overline{\text{RESET}}$  pin low for a minimum of  $t_{w(\text{RSL})}$  and then returning the pin high. After the rising edge of the RESET pin, a delay time of  $t_{d(\text{RSSTA})}$  is required before communicating with the device; see the  [\$\mu\$ C Timing Requirements](#) table for reset timing information.

### 8.4.1.3 Reset by Command

Reset the ADC by using the RESET command (06h or 07h). No delay time is required after the RESET command is latched before starting to communicate with the device as long as the timing requirements (see the  [\$\mu\$ C Timing Requirements](#) table) for the (repeated) START and STOP conditions are met. Alternatively, the device also responds to the I<sup>2</sup>C general-call software reset.

## 8.4.2 Conversion Modes

The device operates in one of two conversion modes that are selected by the CM bit in the configuration register. These conversion modes are single-shot conversion and continuous conversion mode. A START/SYNC command must be issued each time the CM bit is changed.

### 8.4.2.1 Single-Shot Conversion Mode

In single-shot conversion mode, the device only performs a conversion when a START/SYNC command is issued. The device consequently performs one single conversion and returns to a low-power state afterwards. The internal oscillator and all analog circuitry are turned off while the device waits in this low-power state until the next conversion is started. Writing to the configuration register when a conversion is ongoing functions as a new START/SYNC command that stops the current conversion and restarts a single new conversion. Each conversion is fully settled (assuming the analog input signal settles to the final value before the conversion starts) because the device digital filter settles within a single cycle.

### 8.4.2.2 Continuous Conversion Mode

In continuous conversion mode, the device continuously performs conversions. When a conversion completes, the device places the result in the output buffer and immediately begins another conversion.

In order to start continuous conversion mode, the CM bit must be set to 1 followed by a START/SYNC command. The first conversion starts  $28.5 \cdot t_{\text{CLK}}$  after the START/SYNC command is latched. Writing to the configuration register during an ongoing conversion restarts the current conversion. Send a START/SYNC command immediately after the CM bit is set to 1.

Stop continuous conversions by sending the POWERDOWN command.

### 8.4.3 Power-Down Mode

When the POWERDOWN command is issued, the device enters power-down mode after completing the current conversion. In this mode, all analog circuitry (including the voltage reference) are powered down and the device typically only uses 400 nA of current. When in power-down mode, the device holds the configuration register settings and responds to commands, but does not perform any data conversions.

Issuing a START/SYNC command wakes up the device and either starts a single conversion or starts continuous conversion mode, depending on the conversion mode selected by the CM bit.

## 8.5 Programming

### 8.5.1 I<sup>2</sup>C Interface

The ADS1119 uses an I<sup>2</sup>C-compatible (inter-integrated circuit) interface for serial communication. I<sup>2</sup>C is a 2-wire communication interface that allows communication of a master device with multiple slave devices on the same bus through the use of device addressing. Each slave device on an I<sup>2</sup>C bus must have a unique address. Communication on the I<sup>2</sup>C bus always takes place between two devices: one acting as the master and the other as the slave. Both the master and slave can receive and transmit data, but the slave can only read or write under the direction of the master. The ADS1119 always acts as an I<sup>2</sup>C slave device.

An I<sup>2</sup>C bus consists of two lines: SDA and SCL. SDA carries data and SCL provides the clock. Devices on the I<sup>2</sup>C bus drive the bus lines low by connecting the lines to ground; the devices never drive the bus lines high. Instead, the bus wires are pulled high by pullup resistors; thus, the bus wires are always high when a device is not driving the lines low. As a result of this configuration, two devices do not conflict. If two devices drive the bus simultaneously, there is no driver contention.

See the [I<sup>2</sup>C-Bus Specification and User Manual](#) from NXP Semiconductors™ for more details.

#### 8.5.1.1 I<sup>2</sup>C Address

The ADS1119 has two address pins: A0 and A1. Each address pin can be tied to either DGND, DVDD, SDA, or SCL, providing 16 possible unique addresses. This configuration allows up to 16 different ADS1119 devices to be present on the same I<sup>2</sup>C bus. [Table 5](#) shows the truth table for the I<sup>2</sup>C addresses for the possible address pin connections.

At the start of every transaction, that is between the START condition (first falling edge of SDA) and the first falling SCL edge of the address byte, the ADS1119 decodes its address configuration again.

**Table 5. I<sup>2</sup>C Address Truth Table**

A1	A0	I <sup>2</sup> C ADDRESS
DGND	DGND	100 0000
DGND	DVDD	100 0001
DGND	SDA	100 0010
DGND	SCL	100 0011
DVDD	DGND	100 0100
DVDD	DVDD	100 0101
DVDD	SDA	100 0110
DVDD	SCL	100 0111
SDA	DGND	100 1000
SDA	DVDD	100 1001
SDA	SDA	100 1010
SDA	SCL	100 1011
SCL	DGND	100 1100
SCL	DVDD	100 1101
SCL	SDA	100 1110
SCL	SCL	100 1111

#### 8.5.1.2 Serial Clock (SCL) and Serial Data (SDA)

The serial clock (SCL) line is used to clock data in and out of the device. The master always drives the clock line. The ADS1119 cannot act as a master and as a result can never drive SCL.

The serial data (SDA) line allows for bidirectional communication between the host (the master) and the ADS1119 (the slave). When the master reads from a ADS1119, the ADS1119 drives the data line; when the master writes to a ADS1119, the master drives the data line.

Data on the SDA line must be stable during the high period of the clock. The high or low state of the data line can only change when the SCL line is low. One clock pulse is generated for each data bit transferred. When in an idle state, the master should hold SCL high.

### 8.5.1.3 Data Ready ( $\overline{DRDY}$ )

$\overline{DRDY}$  is an open-drain output pin that indicates when a new conversion result is ready for retrieval. When  $\overline{DRDY}$  falls low, new conversion data are ready.  $\overline{DRDY}$  transitions back high when the conversion result is latched for output transmission. In case a conversion result in continuous conversion mode is not read,  $\overline{DRDY}$  releases high for  $t_{w(DRH)}$  before the next conversion completes. See the [I<sup>2</sup>C Timing Requirements](#) table for more details.

### 8.5.1.4 Interface Speed

The ADS1119 supports I<sup>2</sup>C interface speeds up to 1 Mbps. Standard-mode (Sm) with bit rates up to 100 kbps, fast-mode (Fm) with bit rates up to 400 kbps, and fast-mode plus (Fm+) with bit rates up to 1 Mbps are supported. High-speed mode (Hs-mode) is not supported.

### 8.5.1.5 Data Transfer Protocol

Figure 34 shows the format of the data transfer. The master initiates all transactions with the ADS1119 by generating a START (S) condition. A high-to-low transition on the SDA line while SCL is high defines a START condition. The bus is considered to be busy after the START condition.

Following the START condition, the master sends the 7-bit slave address corresponding to the address of the ADS1119 that the master wants to communicate with. The master then sends an eighth bit that is a data direction bit ( $R/\overline{W}$ ). An  $R/\overline{W}$  bit of 0 indicates a write operation, and an  $R/\overline{W}$  bit of 1 indicates a read operation. After the  $R/\overline{W}$  bit, the master generates a ninth SCLK pulse and releases the SDA line to allow the ADS1119 to acknowledge (ACK) the reception of the slave address by pulling SDA low. In case the device does not recognize the slave address, the ADS1119 holds SDA high to indicate a not acknowledge (NACK) signal.

Next follows the data transmission. If the transaction is a read ( $R/\overline{W} = 1$ ), the ADS1119 outputs data on SDA. If the transaction is a write ( $R/\overline{W} = 0$ ), the host outputs data on SDA. Data are transferred byte-wise, most significant bit (MSB) first. The number of bytes that can be transmitted per transfer is unrestricted. Each byte must be acknowledged (via the ACK bit) by the receiver. If the transaction is a read, the master issues the ACK. If the transaction is a write, the ADS1119 issues the ACK.

The master terminates all transactions by generating a STOP (P) condition. A low-to-high transition on the SDA line while SCL is high defines a STOP condition. The bus is considered free again  $t_{BUF}$  (bus-free time) after the STOP condition.

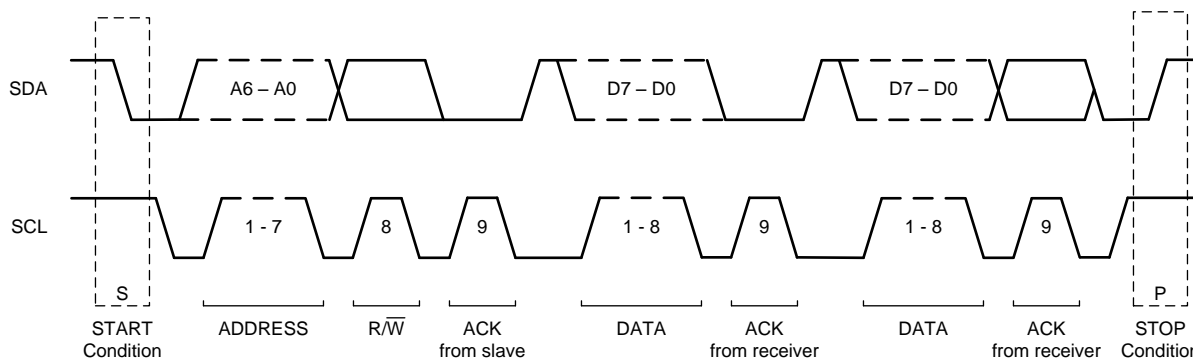


Figure 34. I<sup>2</sup>C Data Transfer Format

### 8.5.1.6 I<sup>2</sup>C General Call (Software Reset)

The ADS1119 responds to the I<sup>2</sup>C general-call address (0000 000) if the  $R/\overline{W}$  bit is 0. The device acknowledges the general-call address and, if the next byte is 06h, performs a reset. The general-call software reset has the same effect as the RESET command.

### 8.5.1.7 Timeout

The ADS1119 offers a I<sup>2</sup>C timeout feature that can be used to recover communication when a serial interface transmission is interrupted. If the host initiates contact with the ADS1119 but subsequently remains idle for  $14000 \cdot t_{MOD}$  before completing a command, the ADS1119 interface is reset. If the ADS1119 interface resets because of a timeout condition, the host must abort the transaction and restart the communication again by issuing a new START condition.

### 8.5.2 Data Format

The device provides 16 bits of data in binary two's complement format. Use Equation 5 to calculate the size of one code (LSB).

$$1 \text{ LSB} = (2 \cdot V_{\text{REF}} / \text{Gain}) / 2^{16} = +\text{FS} / 2^{15} \tag{5}$$

A positive full-scale input [ $V_{\text{IN}} \geq (+\text{FS} - 1 \text{ LSB}) = (V_{\text{REF}} / \text{Gain} - 1 \text{ LSB})$ ] produces an output code of 7FFFh and a negative full-scale input ( $V_{\text{IN}} \leq -\text{FS} = -V_{\text{REF}} / \text{Gain}$ ) produces an output code of 8000h. The output clips at these codes for signals that exceed full-scale.

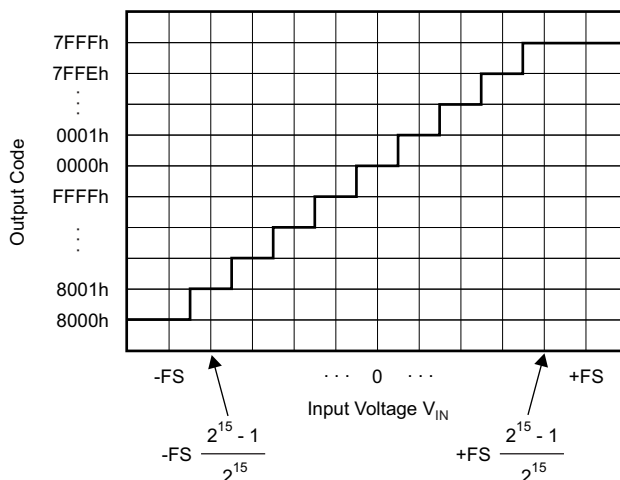
Table 6 summarizes the ideal output codes for different input signals.

**Table 6. Ideal Output Code versus Input Signal**

INPUT SIGNAL, $V_{\text{IN}} = V_{\text{AINP}} - V_{\text{AINN}}$	IDEAL OUTPUT CODE <sup>(1)</sup>
$\geq \text{FS} (2^{15} - 1) / 2^{15}$	7FFFh
$\text{FS} / 2^{15}$	0001h
0	0000h
$-\text{FS} / 2^{15}$	FFFFh
$\leq -\text{FS}$	8000h

(1) Excludes the effects of noise, INL, offset, and gain errors.

Figure 35 shows the mapping of the analog input signal to the output codes.



**Figure 35. Code Transition Diagram**

**NOTE**

Single-ended signal measurements, where  $V_{\text{AINN}} = 0 \text{ V}$  and  $V_{\text{AINP}} = 0 \text{ V}$  to  $+\text{FS}$ , only use the positive code range from 0000h to 7FFFh. However, because of device offset, the ADS1119 can still output negative codes when  $V_{\text{AINP}}$  is close to 0 V.



### 8.5.3 Commands

As [Table 7](#) shows, the device offers six different commands to control device operation. Four commands are stand-alone instructions (RESET, START/SYNC, POWERDOWN, and RDATA). The commands to read (RREG) and write (WREG) register data from and to the device require additional information as part of the instruction.

**Table 7. Command Definitions**

COMMAND	DESCRIPTION	COMMAND BYTE <sup>(1)</sup>
RESET	Reset the device	0000 011x
START/SYNC	Start or restart conversions	0000 100x
POWERDOWN	Enter power-down mode	0000 001x
RDATA	Read data by command	0001 xxxx
RREG	Read register at address <i>r</i>	0010 0rx
WREG	Write configuration register	0100 00xx



(1) Operands: *r* = register address (0 or 1), *x* = don't care.

#### 8.5.3.1 Command Latching

Commands are not processed until latched by the ADS1119. Commands are latched on the eighth falling edge of SCL in the command byte.

#### NOTE

The legend for [Figure 36](#) to [Figure 40](#):

	From master to slave	S = START condition
		Sr = Repeated START condition
		P = STOP condition
	From slave to master	A = acknowledge (SDA low)
		$\bar{A}$ = not acknowledge (SDA high)

#### 8.5.3.2 RESET (0000 011x)

This command resets the device to the default states. No delay time is required after the RESET command is latched before starting to communicate with the device as long as the timing requirements (see the [I<sup>2</sup>C Timing Requirements](#) table) for the (repeated) START and STOP conditions are met.

#### 8.5.3.3 START/SYNC (0000 100x)

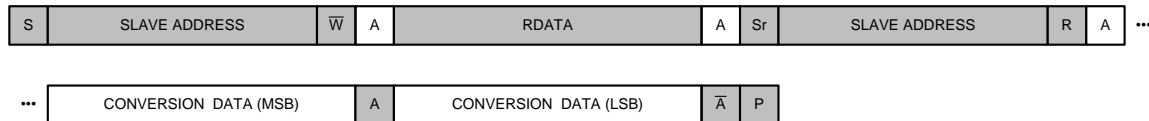
In single-shot conversion mode, the START/SYNC command is used to start a single conversion, or (when sent during an ongoing conversion) to reset the digital filter and then restart a single new conversion. When the device is set to continuous conversion mode, the START/SYNC command must be issued one time to start converting continuously. Sending the START/SYNC command when converting in continuous conversion mode resets the digital filter and restarts continuous conversions.

#### 8.5.3.4 POWERDOWN (0000 001x)

The POWERDOWN command places the device into power-down mode. This command shuts down all internal analog components, but holds all register values. In case the POWERDOWN command is issued when a conversion is ongoing, the conversion completes before the ADS1119 enters power-down mode. As soon as a START/SYNC command is issued, all analog components return to their previous states.

### 8.5.3.5 RDATA (0001 xxxx)

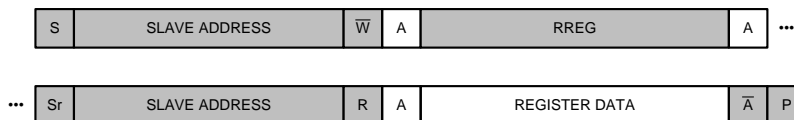
The RDATA command loads the output shift register with the most recent conversion result. Reading conversion data must be performed as shown in Figure 36 by using two I<sup>2</sup>C communication frames. The first frame is an I<sup>2</sup>C write operation where the  $\overline{R/W}$  bit at the end of the address byte is 0 to indicate a write. In this frame, the host sends the RDATA command to the ADS1119. The second frame is an I<sup>2</sup>C read operation where the  $\overline{R/W}$  bit at the end of the address byte is 1 to indicate a read. The ADS1119 reports the latest ADC conversion data in this second I<sup>2</sup>C frame. If a conversion finishes in the middle of the RDATA command byte, the state of the  $\overline{DRDY}$  pin at the end of the read operation signals whether the old or the new result is loaded. If the old result is loaded,  $\overline{DRDY}$  stays low, indicating that the new result is not read out. The new conversion result loads when  $\overline{DRDY}$  is high.



**Figure 36. Read Conversion Data Sequence**

### 8.5.3.6 RREG (0010 0rxx)

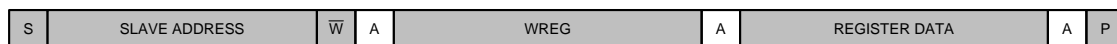
The RREG command reads the value of the register at address r. Reading a register must be performed as shown in Figure 37 by using two I<sup>2</sup>C communication frames. The first frame is an I<sup>2</sup>C write operation where the  $\overline{R/W}$  bit at the end of the address byte is 0 to indicate a write. In this frame, the host sends the RREG command including the register address to the ADS1119. The second frame is an I<sup>2</sup>C read operation where the  $\overline{R/W}$  bit at the end of the address byte is 1 to indicate a read. The ADS1119 reports the contents of the requested register in this second I<sup>2</sup>C frame.



**Figure 37. Read Register Sequence**

### 8.5.3.7 WREG (0100 00xx dddd dddd)

The WREG command writes dddd dddd to the configuration register. Figure 38 shows the sequence for writing the configuration register. The  $\overline{R/W}$  bit at the end of the address byte is 0 to indicate a write. The WREG command forces the digital filter to reset and any ongoing ADC conversion to restart.



**Figure 38. Write Register Sequence**

### 8.5.4 Reading Data and Monitoring for New Conversion Results

Conversion data are read by issuing the RDATA command. The ADS1119 responds to the RDATA command with the latest conversion result. There are two ways to monitor for new conversion data.

One way is to monitor for the falling edge of the  $\overline{\text{DRDY}}$  signal. When  $\overline{\text{DRDY}}$  falls low, a new conversion result is available for retrieval using the RDATA command. Figure 39 shows the timing diagram for collecting data using the  $\overline{\text{DRDY}}$  signal to indicate new data.

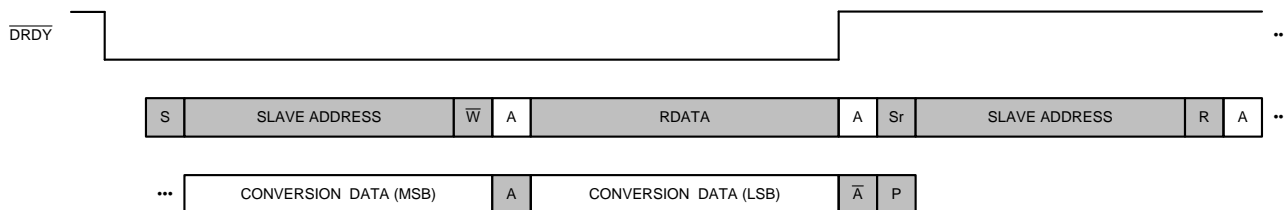


Figure 39. Using the  $\overline{\text{DRDY}}$  Pin to Check for New Conversion Data

Another way to monitor for a new conversion result is to periodically read the DRDY bit in the status register. If set, the DRDY bit indicates that a new conversion result is ready for retrieval. The host can subsequently issue an RDATA command to retrieve the data. The rate at which the host polls the ADS1119 for new data must be at least as fast as the data rate in continuous conversion mode to prevent the host from missing a conversion result.

If a new conversion result becomes ready during an I<sup>2</sup>C transmission, the transmission is not corrupted. The new data are loaded into the output shift register upon the following RDATA command.

Figure 40 shows the timing diagram for collecting data using the DRDY bit in the status register to indicate new data.

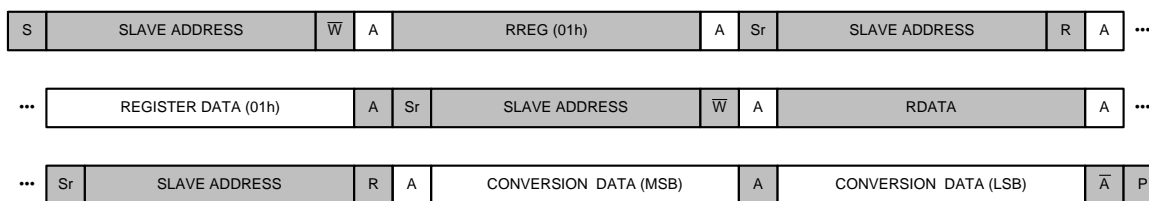


Figure 40. Using the DRDY Bit to Check for New Conversion Data

## 8.6 Register Map

### 8.6.1 Configuration and Status Registers

The device has two 8-bit registers (configuration and status) that are accessible through the I<sup>2</sup>C interface using the RREG and WREG commands. After power-up or reset, both registers are set to the default values (which are all 0). All register values are retained during power-down mode. Table 8 shows the register map of the two registers.

Table 8. Register Map

REGISTER (Hex)	BIT 7	BIT 6	BIT 5	BIT 4	BIT 3	BIT 2	BIT 1	BIT 0
0h	MUX[2:0]			GAIN	DR[1:0]		CM	VREF
1h	DRDY	ID[6:0]						

## 8.6.2 Register Descriptions

Table 9 lists the access codes for the ADS1119 registers.

**Table 9. Register Access Type Codes**

Access Type	Code	Description
R	R	Read
R/W	R/W	Read-Write
-n		Value after reset or the default value

### 8.6.2.1 Configuration Register (address = 0h) [reset = 00h]

**Figure 41. Configuration Register**

7	6	5	4	3	2	1	0
MUX[2:0]			GAIN	DR[1:0]		CM	VREF
R/W-0h			R/W-0h	R/W-0h		R/W-0h	R/W-0h

**Table 10. Configuration Register Field Descriptions**

Bit	Field	Type	Reset	Description
7:5	MUX[2:0]	R/W	0h	<b>Input multiplexer configuration</b> These bits configure the input multiplexer. 000 : AIN <sub>P</sub> = AIN <sub>0</sub> , AIN <sub>N</sub> = AIN <sub>1</sub> (default) 001 : AIN <sub>P</sub> = AIN <sub>2</sub> , AIN <sub>N</sub> = AIN <sub>3</sub> 010 : AIN <sub>P</sub> = AIN <sub>1</sub> , AIN <sub>N</sub> = AIN <sub>2</sub> 011 : AIN <sub>P</sub> = AIN <sub>0</sub> , AIN <sub>N</sub> = AGND 100 : AIN <sub>P</sub> = AIN <sub>1</sub> , AIN <sub>N</sub> = AGND 101 : AIN <sub>P</sub> = AIN <sub>2</sub> , AIN <sub>N</sub> = AGND 110 : AIN <sub>P</sub> = AIN <sub>3</sub> , AIN <sub>N</sub> = AGND 111 : AIN <sub>P</sub> and AIN <sub>N</sub> shorted to AVDD / 2
4	GAIN	R/W	0h	<b>Gain configuration</b> This bit configures the device gain. 0 : Gain = 1 (default) 1 : Gain = 4
3:2	DR[1:0]	R/W	0h	<b>Data rate</b> These bits control the data rate setting. 00 : 20 SPS (default) 01 : 90 SPS 10 : 330 SPS 11 : 1000 SPS
1	CM	R/W	0h	<b>Conversion mode</b> This bit sets the conversion mode for the device. 0 : Single-shot conversion mode (default) 1 : Continuous conversion mode
0	VREF	R/W	0h	<b>Voltage reference selection</b> This bit selects the voltage reference source that is used for the conversion. 0 : Internal 2.048-V reference selected (default) 1 : External reference selected using the REFP and REFN inputs

**8.6.2.2 Status Register (address = 1h) [reset = 00h]**
**Figure 42. Status Register**

7	6	5	4	3	2	1	0
DRDY	RESERVED						
R-0h	R-xxh						

**Table 11. Status Register Field Descriptions**

Bit	Field	Type	Reset	Description
7	DRDY	R	0h	<b>Conversion result ready flag</b> This bit flags if a new conversion result is ready. This bit is reset when conversion data are read. 0 : No new conversion result available (default) 1 : New conversion result ready
6:0	RESERVED	R	xxh	<b>Reserved</b> Values are subject to change without notice.

## 9 Application and Implementation

### NOTE

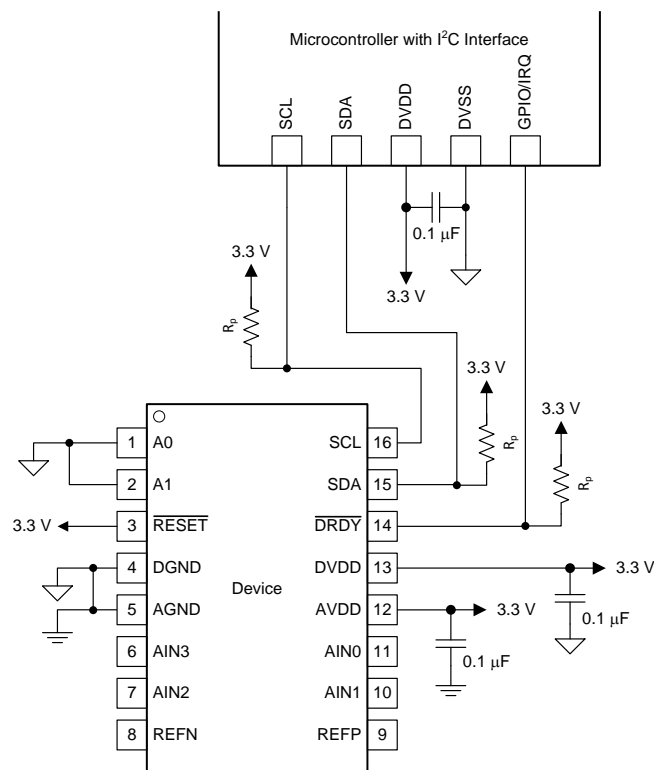
Information in the following applications sections is not part of the TI component specification, and TI does not warrant its accuracy or completeness. TI's customers are responsible for determining suitability of components for their purposes. Customers should validate and test their design implementation to confirm system functionality.

### 9.1 Application Information

The ADS1119 is a precision, 16-bit, delta-sigma ( $\Delta\Sigma$ ), analog-to-digital converter (ADC) that integrates all features required to implement the most common system monitoring functions, such as supply voltage, current, and temperature monitoring. Primary considerations when designing an application with the ADS1119 include analog input filtering, and establishing an appropriate external reference for ratiometric measurements. Connecting and configuring the interface appropriately is another concern. These considerations are discussed in the following sections.

#### 9.1.1 Interface Connections

Figure 43 shows the principle interface connections for the ADS1119.



**Figure 43. Interface Connections**

The ADS1119 interfaces directly to standard-mode, fast-mode, or fast-mode plus I<sup>2</sup>C controllers. Any microcontroller I<sup>2</sup>C peripheral, including master-only and single-master I<sup>2</sup>C peripherals, operates with the ADS1119. Details of the I<sup>2</sup>C communication protocol of the device can be found in the [Programming](#) section. The ADS1119 does not perform clock-stretching (that is, the device never pulls the clock line low), so this function does not need to be provided for unless other clock-stretching devices are present on the same I<sup>2</sup>C bus.

## Application Information (continued)

Pullup resistors are required on both the SDA and SCL lines, as well as on the open-drain  $\overline{\text{DRDY}}$  output. The size of these resistors depends on the bus operating speed and capacitance of the bus lines. Higher-value resistors yield lower power consumption when the bus lines are pulled low, but increase the transition times on the bus, which limits the bus speed. Lower-value resistors allow higher interface speeds, but at the expense of higher power consumption when the bus lines are pulled low. Long bus lines have higher capacitance and require smaller pullup resistors to compensate. Do not use resistors that are too small because the bus drivers may be unable to pull the bus lines low. See the *I<sup>2</sup>C-Bus Specification and User Manual* for details on pullup resistor sizing.

### 9.1.2 Connecting Multiple Devices on the Same I<sup>2</sup>C Bus

Up to 16 ADS1119 devices can be connected to a single I<sup>2</sup>C bus by using different address pin configurations for each device. Use the address pins, A0 and A1, to set the ADS1119 to one of 16 different I<sup>2</sup>C addresses. Figure 44 shows an example with three ADS1119 devices on the same I<sup>2</sup>C bus. One set of pullup resistors is required per bus line. If needed, decrease the pullup resistor values to compensate for the additional bus capacitance presented by multiple devices and increased line length.

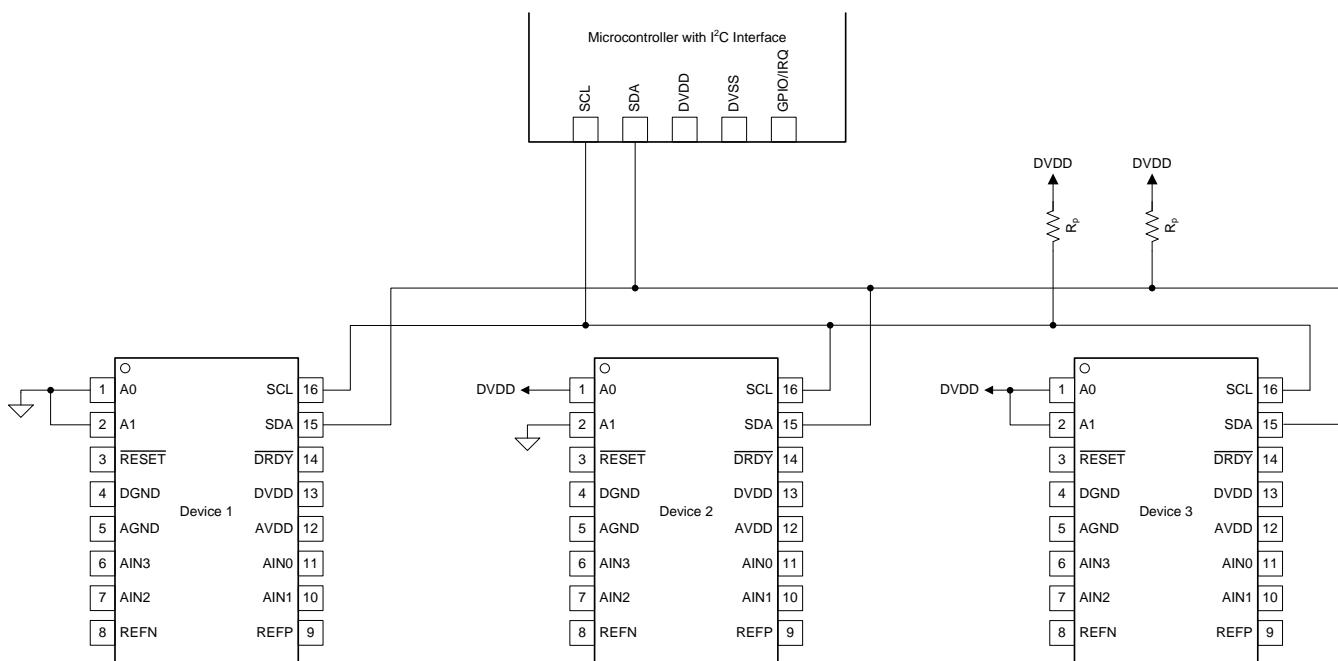


Figure 44. Connecting Multiple ADS1119 Devices on the Same I<sup>2</sup>C Bus

### 9.1.3 Unused Inputs and Outputs

To minimize leakage currents on the analog inputs, leave unused analog and reference inputs floating, or connect the inputs to mid-supply or to AVDD. Connecting unused analog or reference inputs to AGND is possible as well, but can yield higher leakage currents on other analog inputs than the previously mentioned options.

Do not float unused digital inputs; excessive power-supply leakage current can result. Tie all unused digital inputs to the appropriate levels, DVDD or DGND, even when in power-down mode. Connections for unused digital pins are:

- Tie the  $\overline{\text{RESET}}$  pin to DVDD if the  $\overline{\text{RESET}}$  pin is not used
- If the  $\overline{\text{DRDY}}$  output is not used, leave the  $\overline{\text{DRDY}}$  pin unconnected or tie the  $\overline{\text{DRDY}}$  pin to DVDD using a weak pullup resistor

## Application Information (continued)

### 9.1.4 Analog Input Filtering

Analog input filtering serves two purposes:

- Limits the effect of aliasing during the ADC sampling process
- Attenuates unwanted noise components outside the bandwidth of interest

In most cases, a first-order resistor capacitor (RC) filter is sufficient to completely eliminate aliasing or to reduce the effect of aliasing to a level within the noise floor of the sensor. A good starting point for a system design with the ADS1119 is to use a differential RC filter with a cutoff frequency set somewhere between the selected output data rate and 25 kHz. Make the series resistor values as small as possible to reduce voltage drops across the resistors caused by the device input currents to a minimum. However, the resistors should be large enough to limit the current into the analog inputs to less than 10 mA in the event of an overvoltage. Then choose the differential capacitor value to achieve the target filter cutoff frequency. Common-mode filter capacitors to GND can be added as well, but should always be at least ten times smaller than the differential filter capacitor.

Internal to the device, prior to the buffer inputs, is an EMI filter. The cutoff frequency of this filter is approximately 31.8 MHz, which helps reject high-frequency interferences.

### 9.1.5 External Reference and Ratiometric Measurements

The full-scale range (FSR) of the ADS1119 is defined by the reference voltage and the gain setting ( $FSR = \pm V_{REF} / \text{Gain}$ ). An external reference can be used instead of the integrated 2.048-V reference to adapt the FSR to the specific system needs. An external reference must be used if  $V_{IN}$  is greater than 2.048 V. For example, an external 5-V reference and an AVDD = 5 V are required in order to measure a single-ended signal that can swing between 0 V and 5 V.

The reference inputs of the device also allow the implementation of ratiometric measurements. In a ratiometric measurement the same excitation source that is used to excite the sensor is also used to establish the reference for the ADC. As an example, a simple form of a ratiometric measurement uses the same current source to excite both the resistive sensor element (such as an RTD) and another resistive reference element that is in series with the element being measured. The voltage that develops across the reference element is used as the reference source for the ADC. These components cancel out in the ADC transfer function because current noise and drift are common to both the sensor measurement and the reference. The output code is only a ratio of the sensor element and the value of the reference resistor. The value of the excitation current source itself is not part of the ADC transfer function.

### 9.1.6 Establishing Proper Limits on the Absolute Input Voltage

The ADS1119 can be used to measure various types of input signal configurations: single-ended, pseudo-differential, and fully differential signals. However, configuring the device properly for the respective signal type is important.

Signals where the negative analog input is fixed and referenced to analog ground ( $V_{AINN} = 0$  V) are commonly called *single-ended signals*. The absolute input voltages of the ADS1119 can be as low as 100 mV below AGND and as large as 100 mV above AVDD. Using the gain of 4 is still possible in this configuration. Measuring a 0-mA to 20-mA or 4-mA to 20-mA signal across a load resistor of 100  $\Omega$  referenced to GND is a typical example. The ADS1119 can directly measure the signal across the load resistor using the internal 2.048-V reference and gain = 1.

Signals where the negative analog input ( $A_{IN_N}$ ) is fixed at a voltage other than 0 V are referred to as *pseudo-differential signals*.

*Fully differential signals* in contrast are defined as signals having a constant common-mode voltage where the positive and negative analog inputs swing 180° out-of-phase but have the same amplitude.

The ADS1119 can measure pseudo-differential and fully differential signals.

Signals where both the positive and negative inputs are always  $\geq 0$  V are called *unipolar signals*. These signals can in general be measured with the ADS1119. A signal is called *bipolar* when either the positive or negative input can swing below 0 V. Bipolar signals cannot be measured with the ADS1119.



## Application Information (continued)

### 9.1.7 Pseudo Code Example

The following list shows a pseudo code sequence with the required steps to set up the device and the microcontroller that interfaces to the ADC in order to take subsequent readings from the ADS1119 in continuous conversion mode. The DRDY pin is used to indicate availability of new conversion data. The default configuration register settings are changed to gain = 4 and continuous conversion mode.

```
Power-up;  
Delay to allow power supplies to settle and power-on reset to complete; minimum of 500 µs;  
Configure the I2C interface of the microcontroller;  
Configure the microcontroller GPIO connected to the DRDY pin as a falling edge triggered interrupt  
input;
```

```
Send the RESET command (06h) to make sure the device is properly reset after power-up;
```

```
Write the respective register configuration with the WREG command (40h, 12h);  
As an optional sanity check, read back the configuration register with the RREG command (20h);
```

```
Send the START/SYNC command (08h) to start converting in continuous conversion mode;
```

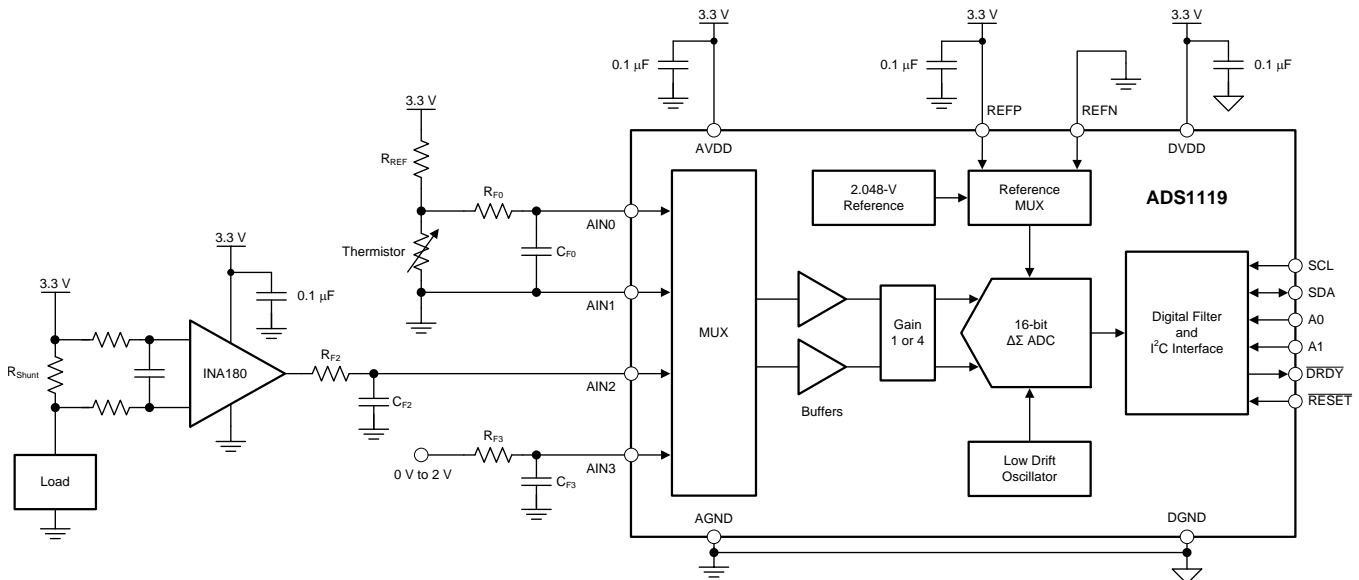
```
Loop  
{  
    Wait for DRDY to transition low;  
    Send the RDATA command (10h) to read 2 bytes of conversion data;  
}
```

```
Send the POWERDOWN command (02h) to stop conversions and put the device in power-down mode;
```

TI recommends running an offset calibration before performing any measurements or when changing the gain or MUX settings. The internal offset of the device can, for example, be measured by shorting the inputs to mid-supply (MUX[2:0] = 111). The microcontroller then takes multiple readings from the device with the inputs shorted and stores the average value in the microcontroller memory. When measuring the sensor signal, the microcontroller then subtracts the stored offset value from each device reading to obtain an offset compensated result; the offset can be either positive or negative in value.

## 9.2 Typical Application

This application example describes how to use the ADS1119 for the most common system monitoring functions (such as voltage measurement, high-side current measurement using a current sense amplifier, and temperature measurement using a thermistor or 2-wire RTD). [Figure 45](#) shows a typical circuit implementation.



**Figure 45. Typical System Monitoring Example Using the ADS1119**

### 9.2.1 Design Requirements

[Table 12](#) lists the design requirements for this application.

**Table 12. Design Requirements**

DESIGN PARAMETER	VALUE
Supply voltage	3.3 V
Voltage measurement range	0 V to 2 V
Voltage measurement accuracy <sup>(1)</sup>	±0.5 mV
Current measurement range (unidirectional)	0.5 A to 10 A
Maximum voltage drop across shunt resistor	20 mV
Current measurement accuracy <sup>(1)</sup>	±5 mA
Thermistor type	NTC
Thermistor nominal resistance	10 kΩ
Thermistor temperature range	–40°C to +125°C
Thermistor temperature measurement accuracy <sup>(1)</sup>	±0.1°C
Update rate	100 ms

(1) After offset and gain calibration at  $T_A = 25^\circ\text{C}$ .

### 9.2.2 Detailed Design Procedure

In order to take one reading from each of the three input signals within 100 ms, the ADS1119 must use a data rate of 90 SPS or faster. When using a data rate setting of 90 SPS, every conversion takes approximately 11.3 ms according to [Table 4](#). Consequently, all three signals can be measured within approximately 34 ms when also accounting for the time to read conversion results and to write new configuration register settings between conversions.

All three signal measurements use a single-ended measurement implementation. The voltage and current measurements use the GND connection within the MUX, whereas the thermistor measurement uses an external GND connection through AIN1 to showcase the two different options for implementing a single-ended measurement.

RC filters are provided on all three analog inputs of the device, which act as antialiasing filters and to limit the current into the analog inputs in case of overvoltage events. The filter component values are chosen according to the guidelines in the [Analog Input Filtering](#) section as  $R_F = 1 \text{ k}\Omega$  and  $C_F = 100 \text{ nF}$  to create a filter corner frequency of  $f_C = 1 / (2\pi \cdot R_F \cdot C_F) = 1.6 \text{ kHz}$ .

### 9.2.2.1 Voltage Monitoring

The ADS1119 can measure single-ended signals ranging from AGND to  $V_{REF} / \text{Gain}$ . In order to monitor voltages up to 2 V, the device is configured to use the internal 2.048-V reference and gain = 1.

[Equation 6](#) details the relationship between output codes of the ADS1119 and the input voltage on AIN3.

$$V_{AIN3} = (V_{REF} / \text{Gain}) \cdot (\text{Code} / 2^{15}) = 2.048 \text{ V} \cdot \text{Code} / 2^{15} \quad (6)$$

An external voltage reference must be provided on the external reference inputs of the device in case larger voltages than 2.048 V are to be monitored. The device can measure input signals up to the positive analog supply voltage in case AVDD is used as the positive reference input (REFP) and AGND as the negative reference input (REFN). However the ADS1119 cannot monitor its own supply voltage in that case. As described in [Equation 6](#), when using  $V_{AIN3} = AVDD$  and  $V_{REF} = AVDD$ , the device will always output a positive full-scale code irrespective of the value of AVDD. To monitor the supply of the ADC, use a resistor divider instead to divide the supply voltage down to below 2.048 V and measure the voltage using the internal reference.

The input-referred peak-to-peak noise of the ADC is ideally a factor smaller than the required measurement accuracy of  $\pm 0.5 \text{ mV}$ . At 90 SPS using gain = 1 the ADS1119 offers an input-referred noise of  $62.5 \text{ }\mu\text{V}_{PP}$ , which meets this requirement.

### 9.2.2.2 High-Side Current Measurement

The unidirectional, high-side load current measurement is implemented using a shunt resistor,  $R_{Shunt}$ , and a current-sense amplifier, [INA180](#), with a gain of 100. To meet the requirement of a maximum voltage drop across  $R_{Shunt}$  of 20 mV at the maximum current of 10 A, the shunt resistor must be  $R_{Shunt} \leq 20 \text{ mV} / 10 \text{ A} = 2 \text{ m}\Omega$ . The output signal of the INA180 is fed single-endedly to input AIN2 of the ADS1119. Consequently, the voltage at AIN2 ranges from 0 V to  $(2 \text{ m}\Omega \cdot 10 \text{ A} \cdot 100) = 2 \text{ V}$ , which can be measured using the internal 2.048-V reference and gain = 1 of the ADC.

[Equation 7](#) through [Equation 9](#) describe the relationship between output codes of the ADS1119 and the current across the shunt resistor.

$$V_{AIN2} = (V_{REF} / \text{Gain}_{ADC}) \cdot (\text{Code} / 2^{15}) = 2.048 \text{ V} \cdot \text{Code} / 2^{15} \quad (7)$$

$$V_{Shunt} = V_{AIN2} / \text{Gain}_{INA} = V_{AIN2} / 100 \quad (8)$$

$$I_{Shunt} = V_{Shunt} / R_{Shunt} = (V_{REF} \cdot \text{Code}) / (\text{Gain}_{ADC} \cdot \text{Gain}_{INA} \cdot R_{Shunt} \cdot 2^{15}) = (2.048 \text{ V} \cdot \text{Code}) / (100 \cdot 2 \text{ m}\Omega \cdot 2^{15}) \quad (9)$$

### 9.2.2.3 Thermistor Measurement

The temperature measurement using a 10-k $\Omega$  thermistor is implemented using a ratiometric measurement approach to achieve best accuracy. The analog supply voltage, AVDD, is used as the excitation voltage for the thermistor in a resistor divider configuration, as well as the external reference voltage,  $V_{REF}$ , for the ADS1119.

The relationship between output codes of the ADS1119 and the thermistor resistance,  $R_{Thermistor}$ , is derived using the following equations. [Equation 10](#) expresses the input voltage at input AIN0 as the voltage across  $R_{Thermistor}$ , whereas [Equation 11](#) shows how the ADC converts the voltage at AIN0 into corresponding digital codes.

$$V_{AIN0} = R_{Thermistor} / (R_{Thermistor} + R_{REF}) \cdot V_{REF} \quad (10)$$

$$V_{AIN0} = (V_{REF} / \text{Gain}) \cdot (\text{Code} / 2^{15}) \quad (11)$$

Setting [Equation 10](#) equal to [Equation 11](#) and solving for  $R_{Thermistor}$  yields the relationship between thermistor resistance and ADC code.

$$R_{Thermistor} / (R_{Thermistor} + R_{REF}) = \text{Gain} \cdot (\text{Code} / 2^{15}) \quad (12)$$

$$R_{Thermistor} = R_{REF} \cdot \text{Gain} \cdot (\text{Code} / 2^{15}) / [1 - \text{Gain} \cdot (\text{Code} / 2^{15})] \quad (13)$$

Equation 13 proves that the output code and thus the accuracy of the thermistor measurement is independent of the excitation voltage. The accuracy of the reference resistor,  $R_{REF}$ , is typically dominating the measurement accuracy in such a ratiometric circuit implementation. A high-precision, low-drift resistor is therefore required for  $R_{REF}$ . For best performance, the value of  $R_{REF}$  is chosen such that the ratio between  $R_{REF}$  and  $R_{Thermistor\_Max}$  equals the ratio between  $R_{Thermistor\_Min}$  and  $R_{REF}$ . Equation 14 is therefore used to calculate  $R_{REF}$ .

$$R_{REF}^2 = R_{Thermistor\_Min} \cdot R_{Thermistor\_Max} \quad (14)$$

At the two temperature measurement extremes,  $-40^{\circ}\text{C}$  and  $+125^{\circ}\text{C}$ , a typical 10-k $\Omega$  NTC exhibits a resistance of  $R_{Thermistor\_Max} = 239.8 \text{ k}\Omega$  and  $R_{Thermistor\_Min} = 425.3 \text{ }\Omega$ , respectively. Using Equation 14,  $R_{REF}$  calculates to 10.1 k $\Omega$ . A 10-k $\Omega$  resistor is chosen for this example. Consequently, when using Equation 10, the voltage at the ADC input ranges from 0.13 V to 3.17 V. Thus, an ADC gain = 1 must be used for the measurement.

The microcontroller interfacing to the ADS1119 converts  $R_{Thermistor}$  into a corresponding thermistor temperature by either solving the Steinhart-Hart equation or leveraging a look-up table.

### 9.2.2.4 Register Settings

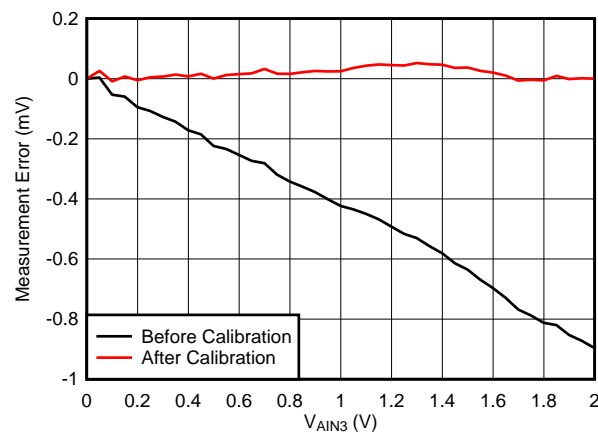
Table 13 summarizes the configuration register bit settings used for the different measurements in this example.

**Table 13. Configuration Register Settings**

MEASUREMENT	BIT SETTINGS	DESCRIPTION
Voltage	1100 0100	AIN3:AGND, gain = 1, DR = 90 SPS, single-shot conversion mode, internal VREF
Current	1010 0100	AIN2:AGND, gain = 1, DR = 90 SPS, single-shot conversion mode, internal VREF
Thermistor	0000 0101	AIN0:AIN1, gain = 1, DR = 90 SPS, single-shot conversion mode, external VREF

### 9.2.3 Application Curve

Figure 46 shows the measurement results for the voltage measurement on AIN3. The measurements are taken at  $T_A = 25^{\circ}\text{C}$ . The black curve shows the measurement error in mV without any offset and gain calibration. The red curve shows the measurement error after offset and gain calibration. The gain calibration removes both the gain error and the error introduced by the initial inaccuracy of the internal voltage reference.



**Figure 46. Measurement Error of Voltage Measurement**

## 10 Power Supply Recommendations

The device requires two power supplies: analog (AVDD, AGND) and digital (DVDD, DGND). The analog power supply is independent of the digital power supply. The digital supply sets the digital I/O levels.

### 10.1 Power-Supply Sequencing

The power supplies can be sequenced in any order, but in no case must any analog or digital inputs exceed the respective analog or digital power-supply voltage and current limits. Wait approximately 500  $\mu$ s after all power supplies are stabilized before communicating with the device to allow the power-on reset process to complete.

### 10.2 Power-Supply Decoupling

Good power-supply decoupling is important to achieve optimum performance. As shown in Figure 47, AVDD and DVDD must be decoupled with at least a 0.1- $\mu$ F capacitor. Place the bypass capacitors as close to the power-supply pins of the device as possible using low-impedance connections. TI recommends using multi-layer ceramic chip capacitors (MLCCs) that offer low equivalent series resistance (ESR) and inductance (ESL) characteristics for power-supply decoupling purposes. For very sensitive systems, or for systems in harsh noise environments, avoiding the use of vias for connecting the capacitors to the device pins may offer superior noise immunity. The use of multiple vias in parallel lowers the overall inductance and is beneficial for connections to ground planes. Connect analog and digital grounds together as close to the device as possible.

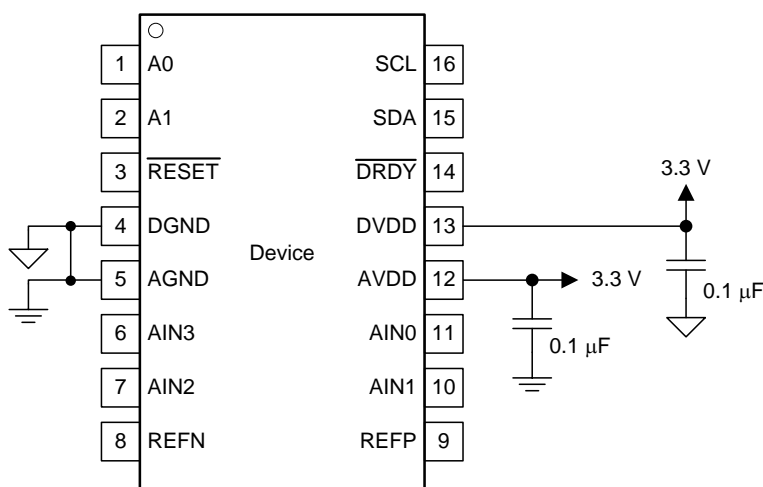


Figure 47. Power-Supply Decoupling

## 11 Layout

### 11.1 Layout Guidelines

Employing best design practices is recommended when laying out a printed-circuit board (PCB) for both analog and digital components. This recommendation generally means that the layout separates analog components [such as ADCs, amplifiers, references, digital-to-analog converters (DACs), and analog MUXs] from digital components [such as microcontrollers, complex programmable logic devices (CPLDs), field-programmable gate arrays (FPGAs), radio frequency (RF) transceivers, universal serial bus (USB) transceivers, and switching regulators].

The following basic recommendations for layout of the ADS1119 help achieve the best possible performance of the ADC. A good design can be ruined with a bad circuit layout.

- Separate analog and digital signals. To start, partition the board into analog and digital sections where the layout permits. Routing digital lines away from analog lines prevents digital noise from coupling back into analog signals.
- The ground plane can be split into an analog plane (AGND) and digital plane (DGND), but is not necessary. Place digital signals over the digital plane, and analog signals over the analog plane. As a final step in the layout, the split between the analog and digital grounds must be connected together at the ADC.
- Fill void areas on signal layers with ground fill.
- Provide good ground return paths. Signal return currents flow on the path of least impedance. If the ground plane is cut or has other traces that block the current from flowing right next to the signal trace, another path must be found to return to the source and complete the circuit. If forced into a larger path, the chance that the signal radiates increases. Sensitive signals are more susceptible to EMI interference.
- Use bypass capacitors on supplies to reduce high-frequency noise. Do not place vias between bypass capacitors and the active device. Placing the bypass capacitors on the same layer as close to the active device yields the best results.
- Consider the resistance and inductance of the routing. Often, traces for the inputs have resistances that react with the input bias current and cause an added error voltage. Reducing the loop area enclosed by the source signal and the return current reduces the inductance in the path. Reducing the inductance reduces the EMI pickup and reduces the high-frequency impedance at the input of the device.
- Watch for parasitic thermocouples in the layout. Dissimilar metals going from each analog input to the sensor can create a parasitic thermocouple that can add an offset to the measurement. Differential inputs must be matched for both the inputs going to the measurement source.
- Analog inputs with differential connections must have a capacitor placed differentially across the inputs. Best input combinations for differential measurements use adjacent analog input lines (such as AIN0, AIN1 and AIN2, AIN3). The differential capacitors must be of high quality. The best ceramic chip capacitors are COG (NPO) that have stable properties and low noise characteristics.

## 11.2 Layout Example

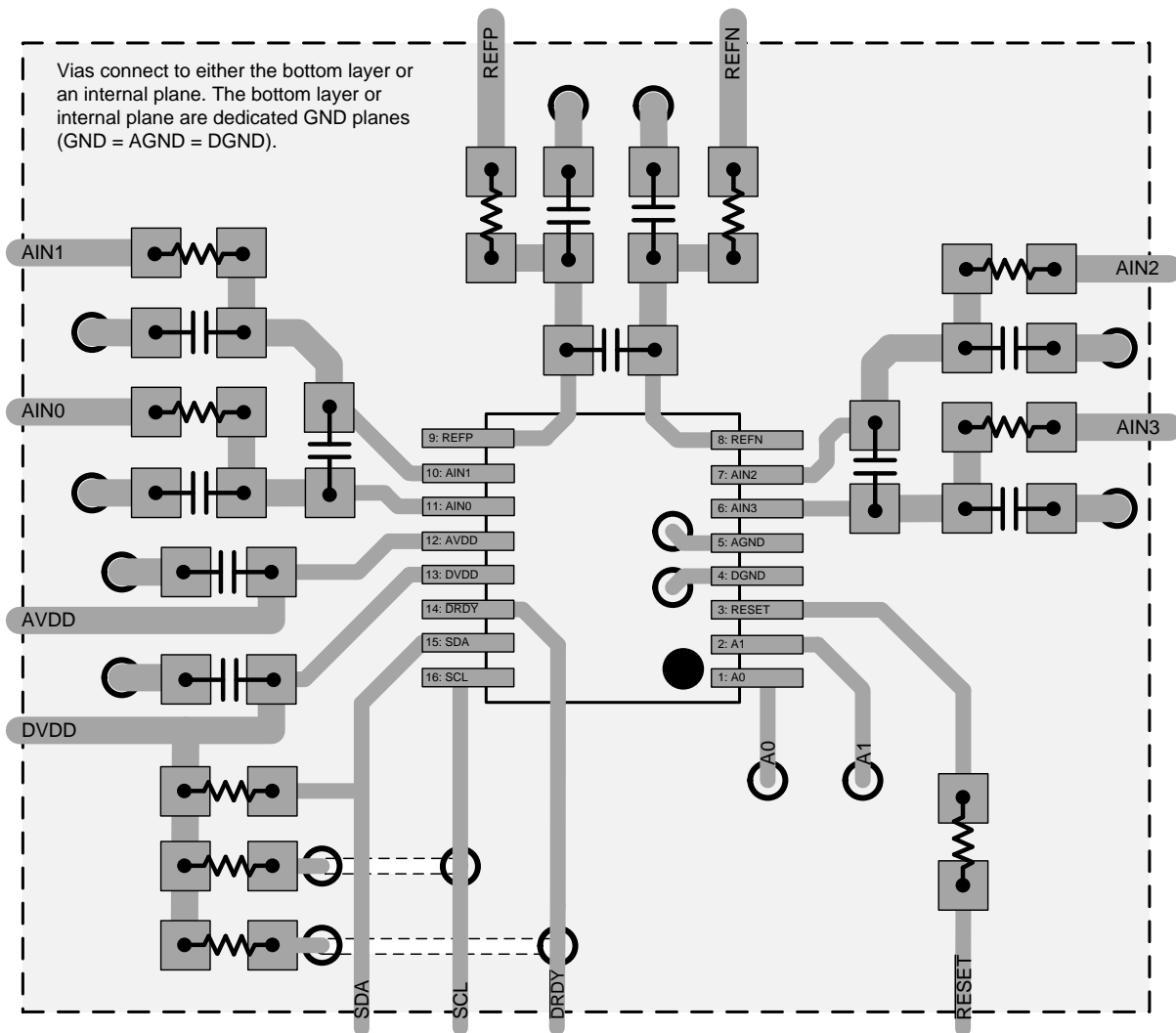


Figure 48. Layout Example

## 12 Device and Documentation Support

### 12.1 Device Support

#### 12.1.1 Third-Party Products Disclaimer

TI'S PUBLICATION OF INFORMATION REGARDING THIRD-PARTY PRODUCTS OR SERVICES DOES NOT CONSTITUTE AN ENDORSEMENT REGARDING THE SUITABILITY OF SUCH PRODUCTS OR SERVICES OR A WARRANTY, REPRESENTATION OR ENDORSEMENT OF SUCH PRODUCTS OR SERVICES, EITHER ALONE OR IN COMBINATION WITH ANY TI PRODUCT OR SERVICE.

### 12.2 Documentation Support

#### 12.2.1 Related Documentation

For related documentation see the following:

- [REF50xx Low-Noise, Very Low Drift, Precision Voltage Reference](#)
- [INAx180 Low- and High-Side Voltage Output, Current-Sense Amplifiers](#)

#### 12.3 Receiving Notification of Documentation Updates

To receive notification of documentation updates, navigate to the device product folder on ti.com. In the upper right corner, click on *Alert me* to register and receive a weekly digest of any product information that has changed. For change details, review the revision history included in any revised document.

### 12.4 Community Resources

The following links connect to TI community resources. Linked contents are provided "AS IS" by the respective contributors. They do not constitute TI specifications and do not necessarily reflect TI's views; see TI's [Terms of Use](#).

**TI E2E™ Online Community** *TI's Engineer-to-Engineer (E2E) Community*. Created to foster collaboration among engineers. At e2e.ti.com, you can ask questions, share knowledge, explore ideas and help solve problems with fellow engineers.

**Design Support** *TI's Design Support* Quickly find helpful E2E forums along with design support tools and contact information for technical support.

### 12.5 Trademarks

E2E is a trademark of Texas Instruments.  
 NXP Semiconductors is a trademark of NXP Semiconductors.  
 All other trademarks are the property of their respective owners.

### 12.6 Electrostatic Discharge Caution



This integrated circuit can be damaged by ESD. Texas Instruments recommends that all integrated circuits be handled with appropriate precautions. Failure to observe proper handling and installation procedures can cause damage.

ESD damage can range from subtle performance degradation to complete device failure. Precision integrated circuits may be more susceptible to damage because very small parametric changes could cause the device not to meet its published specifications.

### 12.7 Glossary

**SLYZ022** — *TI Glossary*.

This glossary lists and explains terms, acronyms, and definitions.

## 13 Mechanical, Packaging, and Orderable Information

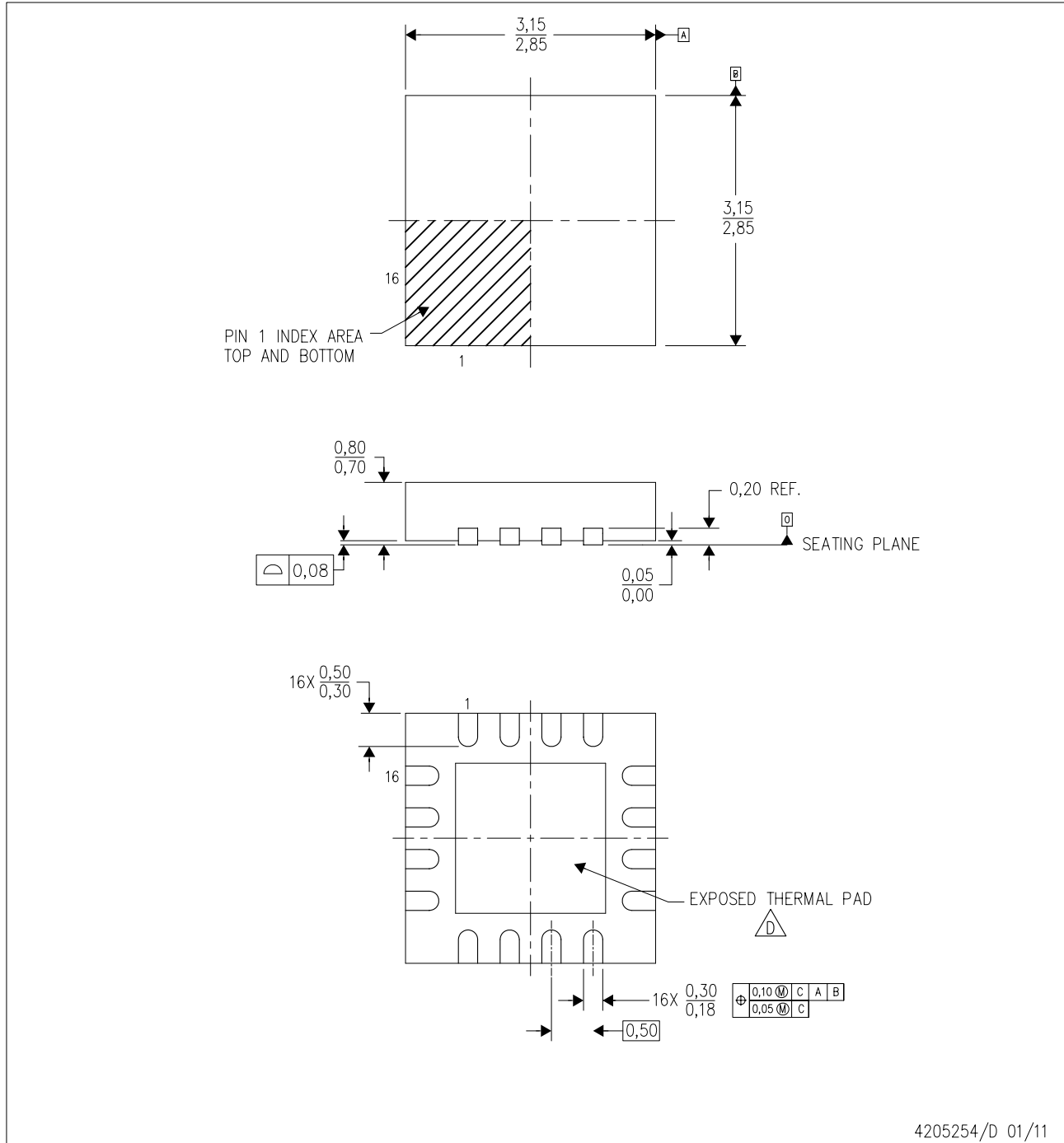
The following pages include mechanical, packaging, and orderable information. This information is the most current data available for the designated devices. This data is subject to change without notice and revision of this document. For browser-based versions of this data sheet, refer to the left-hand navigation.




**MECHANICAL DATA**

RTE (S-PWQFN-N16)

PLASTIC QUAD FLATPACK NO-LEAD



- NOTES:
- A. All linear dimensions are in millimeters. Dimensioning and tolerancing per ASME Y14.5M-1994.
  - B. This drawing is subject to change without notice.
  - C. Quad Flatpack, No-leads (QFN) package configuration.
  -  The package thermal pad must be soldered to the board for thermal and mechanical performance. See the Product Data Sheet for details regarding the exposed thermal pad dimensions.
  - E. Falls within JEDEC MO-220.

## THERMAL PAD MECHANICAL DATA

RTE (S–PWQFN–N16)

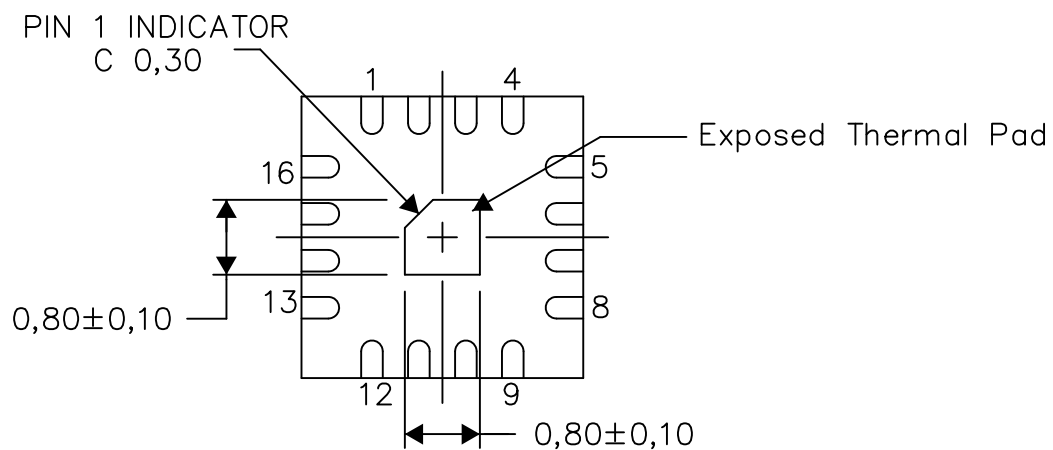
PLASTIC QUAD FLATPACK NO–LEAD

### THERMAL INFORMATION

This package incorporates an exposed thermal pad that is designed to be attached directly to an external heatsink. The thermal pad must be soldered directly to the printed circuit board (PCB). After soldering, the PCB can be used as a heatsink. In addition, through the use of thermal vias, the thermal pad can be attached directly to the appropriate copper plane shown in the electrical schematic for the device, or alternatively, can be attached to a special heatsink structure designed into the PCB. This design optimizes the heat transfer from the integrated circuit (IC).

For information on the Quad Flatpack No–Lead (QFN) package and its advantages, refer to Application Report, QFN/SON PCB Attachment, Texas Instruments Literature No. SLUA271. This document is available at [www.ti.com](http://www.ti.com).

The exposed thermal pad dimensions for this package are shown in the following illustration.



Bottom View

Exposed Thermal Pad Dimensions

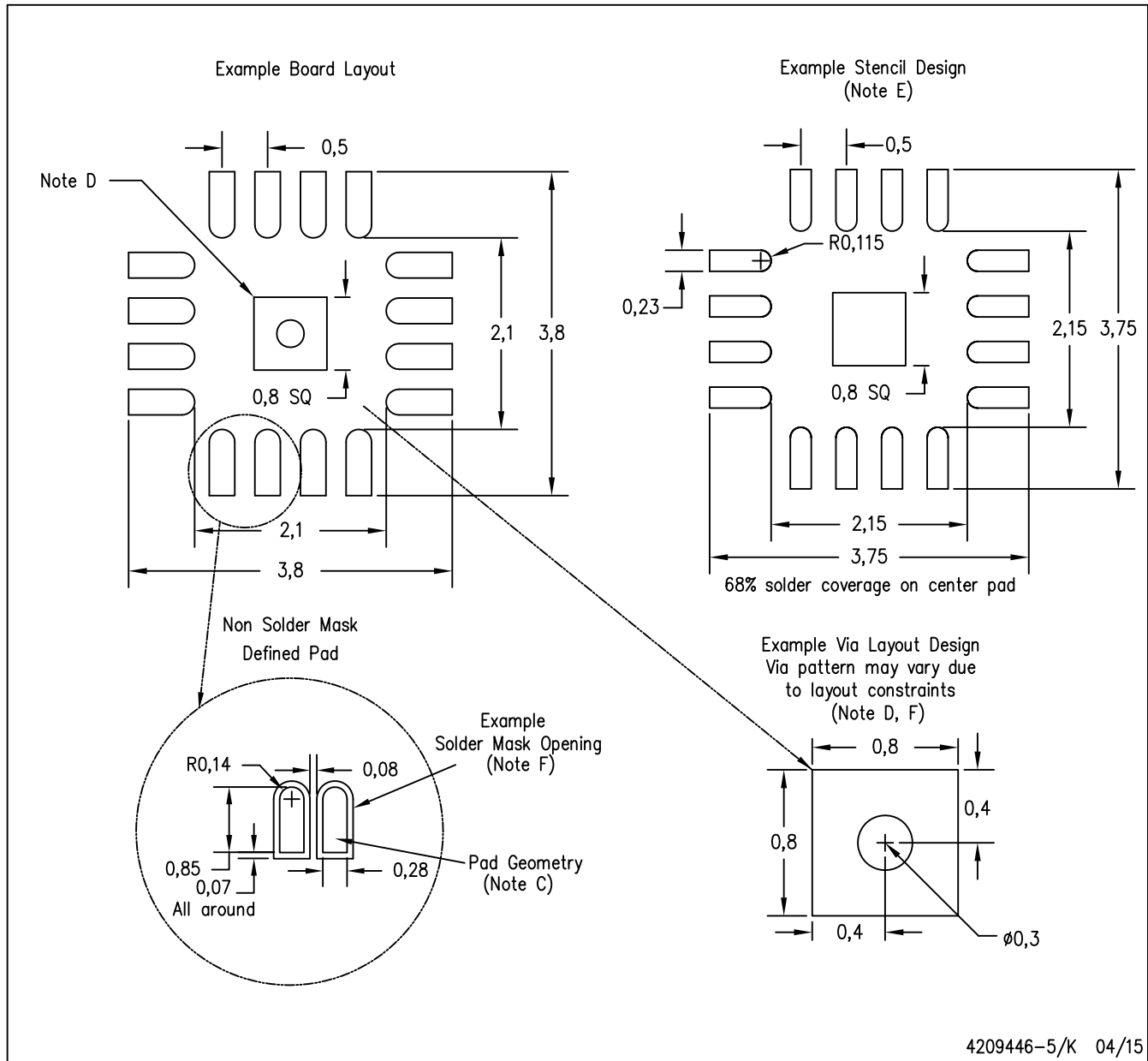
4206446–5/U 08/15

NOTE: A. All linear dimensions are in millimeters

**LAND PATTERN DATA**

RTE (S-PWQFN-N16)

PLASTIC QUAD FLATPACK NO-LEAD



- NOTES:
- All linear dimensions are in millimeters.
  - This drawing is subject to change without notice.
  - Publication IPC-7351 is recommended for alternate designs.
  - This package is designed to be soldered to a thermal pad on the board. Refer to Application Note, Quad Flat-Pack Packages, Texas Instruments Literature No. SLUA271, and also the Product Data Sheets for specific thermal information, via requirements, and recommended board layout. These documents are available at [www.ti.com](http://www.ti.com) <<http://www.ti.com>>.
  - Laser cutting apertures with trapezoidal walls and also rounding corners will offer better paste release. Customers should contact their board assembly site for stencil design recommendations. Refer to IPC 7525 for stencil design considerations.
  - Customers should contact their board fabrication site for minimum solder mask web tolerances between signal pads.

**PACKAGING INFORMATION**

Orderable Device	Status (1)	Package Type	Package Drawing	Pins	Package Qty	Eco Plan (2)	Lead/Ball Finish (6)	MSL Peak Temp (3)	Op Temp (°C)	Device Marking (4/5)	Samples
ADS1119IPW	ACTIVE	TSSOP	PW	16	90	Green (RoHS & no Sb/Br)	CU NIPDAU	Level-3-260C-168 HR	-40 to 125	ADS1119	<a href="#">Samples</a>
ADS1119IPWR	ACTIVE	TSSOP	PW	16	2000	Green (RoHS & no Sb/Br)	CU NIPDAU	Level-3-260C-168 HR	-40 to 125	ADS1119	<a href="#">Samples</a>
ADS1119IPWT	ACTIVE	TSSOP	PW	16	250	Green (RoHS & no Sb/Br)	CU NIPDAU	Level-3-260C-168 HR	-40 to 125	ADS1119	<a href="#">Samples</a>
ADS1119IRTER	PREVIEW	WQFN	RTE	16	3000	TBD	Call TI	Call TI	-40 to 125		
ADS1119IRTET	PREVIEW	WQFN	RTE	16	250	TBD	Call TI	Call TI	-40 to 125		

(1) The marketing status values are defined as follows:

**ACTIVE:** Product device recommended for new designs.

**LIFEBUY:** TI has announced that the device will be discontinued, and a lifetime-buy period is in effect.

**NRND:** Not recommended for new designs. Device is in production to support existing customers, but TI does not recommend using this part in a new design.

**PREVIEW:** Device has been announced but is not in production. Samples may or may not be available.

**OBSOLETE:** TI has discontinued the production of the device.

(2) **RoHS:** TI defines "RoHS" to mean semiconductor products that are compliant with the current EU RoHS requirements for all 10 RoHS substances, including the requirement that RoHS substance do not exceed 0.1% by weight in homogeneous materials. Where designed to be soldered at high temperatures, "RoHS" products are suitable for use in specified lead-free processes. TI may reference these types of products as "Pb-Free".

**RoHS Exempt:** TI defines "RoHS Exempt" to mean products that contain lead but are compliant with EU RoHS pursuant to a specific EU RoHS exemption.

**Green:** TI defines "Green" to mean the content of Chlorine (Cl) and Bromine (Br) based flame retardants meet JS709B low halogen requirements of <=1000ppm threshold. Antimony trioxide based flame retardants must also meet the <=1000ppm threshold requirement.

(3) MSL, Peak Temp. - The Moisture Sensitivity Level rating according to the JEDEC industry standard classifications, and peak solder temperature.

(4) There may be additional marking, which relates to the logo, the lot trace code information, or the environmental category on the device.

(5) Multiple Device Markings will be inside parentheses. Only one Device Marking contained in parentheses and separated by a "~" will appear on a device. If a line is indented then it is a continuation of the previous line and the two combined represent the entire Device Marking for that device.

(6) Lead/Ball Finish - Orderable Devices may have multiple material finish options. Finish options are separated by a vertical ruled line. Lead/Ball Finish values may wrap to two lines if the finish value exceeds the maximum column width.

**Important Information and Disclaimer:** The information provided on this page represents TI's knowledge and belief as of the date that it is provided. TI bases its knowledge and belief on information provided by third parties, and makes no representation or warranty as to the accuracy of such information. Efforts are underway to better integrate information from third parties. TI has taken and

continues to take reasonable steps to provide representative and accurate information but may not have conducted destructive testing or chemical analysis on incoming materials and chemicals. TI and TI suppliers consider certain information to be proprietary, and thus CAS numbers and other limited information may not be available for release.

In no event shall TI's liability arising out of such information exceed the total purchase price of the TI part(s) at issue in this document sold by TI to Customer on an annual basis.

**TAPE AND REEL INFORMATION**

**QUADRANT ASSIGNMENTS FOR PIN 1 ORIENTATION IN TAPE**


\*All dimensions are nominal

Device	Package Type	Package Drawing	Pins	SPQ	Reel Diameter (mm)	Reel Width W1 (mm)	A0 (mm)	B0 (mm)	K0 (mm)	P1 (mm)	W (mm)	Pin1 Quadrant
ADS1119IPWR	TSSOP	PW	16	2000	330.0	12.4	6.9	5.6	1.6	8.0	12.0	Q1
ADS1119IPWT	TSSOP	PW	16	250	180.0	12.4	6.9	5.6	1.6	8.0	12.0	Q1

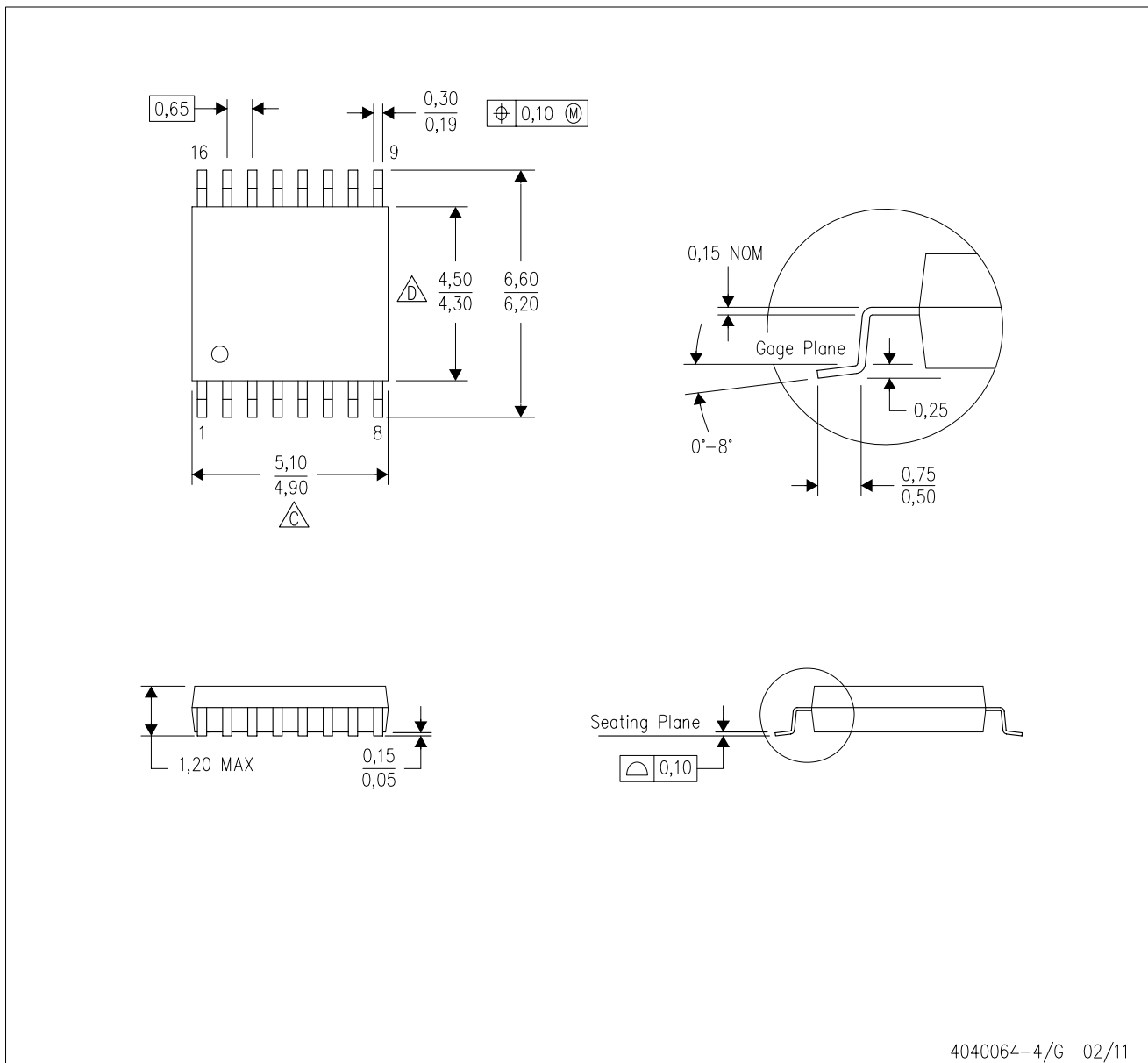
**TAPE AND REEL BOX DIMENSIONS**


\*All dimensions are nominal

Device	Package Type	Package Drawing	Pins	SPQ	Length (mm)	Width (mm)	Height (mm)
ADS1119IPWR	TSSOP	PW	16	2000	367.0	367.0	35.0
ADS1119IPWT	TSSOP	PW	16	250	210.0	185.0	35.0

PW (R-PDSO-G16)

PLASTIC SMALL OUTLINE



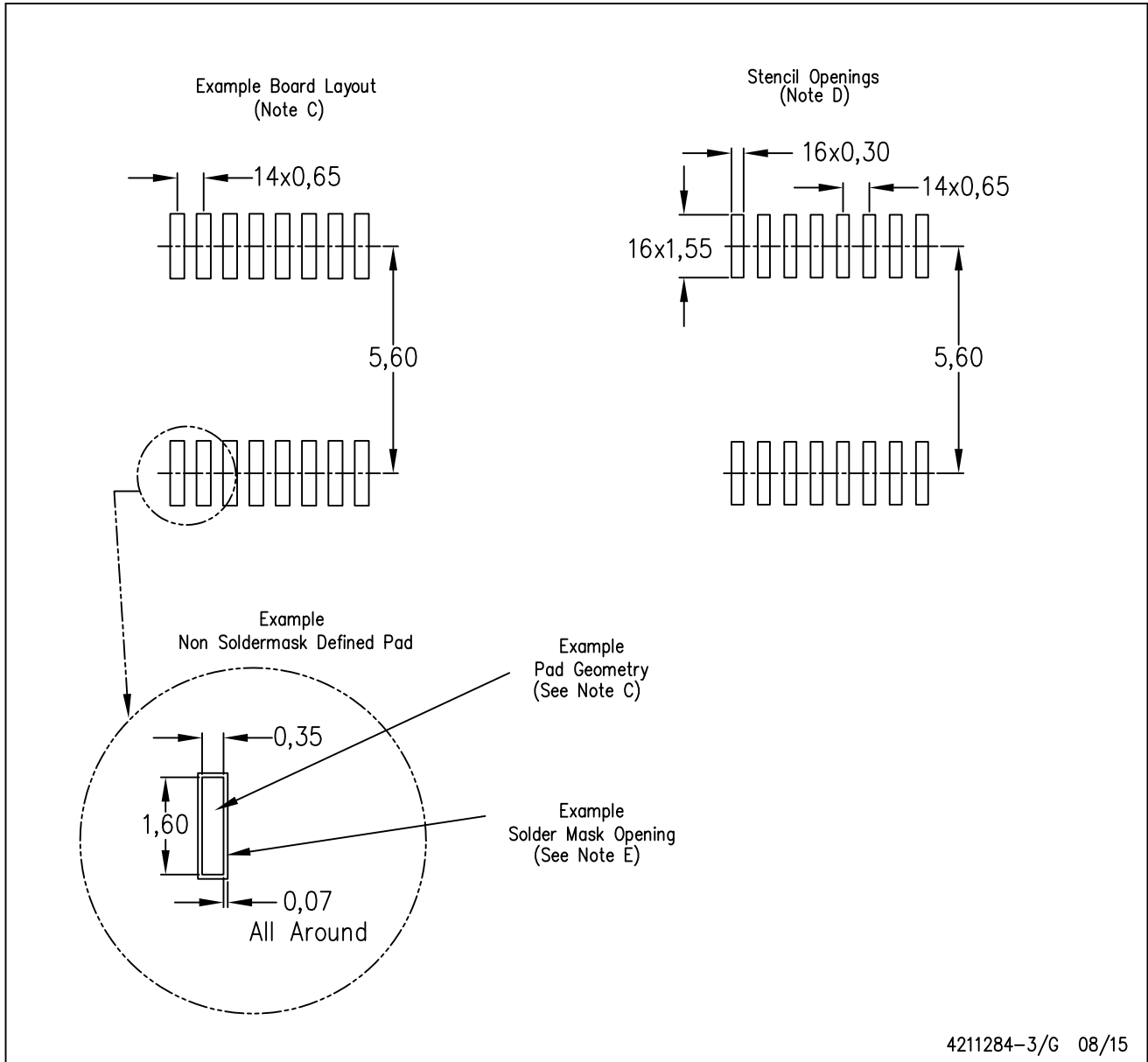
4040064-4/G 02/11

- NOTES:
- A. All linear dimensions are in millimeters. Dimensioning and tolerancing per ASME Y14.5M-1994.
  - B. This drawing is subject to change without notice.
  - C. Body length does not include mold flash, protrusions, or gate burrs. Mold flash, protrusions, or gate burrs shall not exceed 0,15 each side.
  - D. Body width does not include interlead flash. Interlead flash shall not exceed 0,25 each side.
  - E. Falls within JEDEC MO-153



PW (R-PDSO-G16)

PLASTIC SMALL OUTLINE



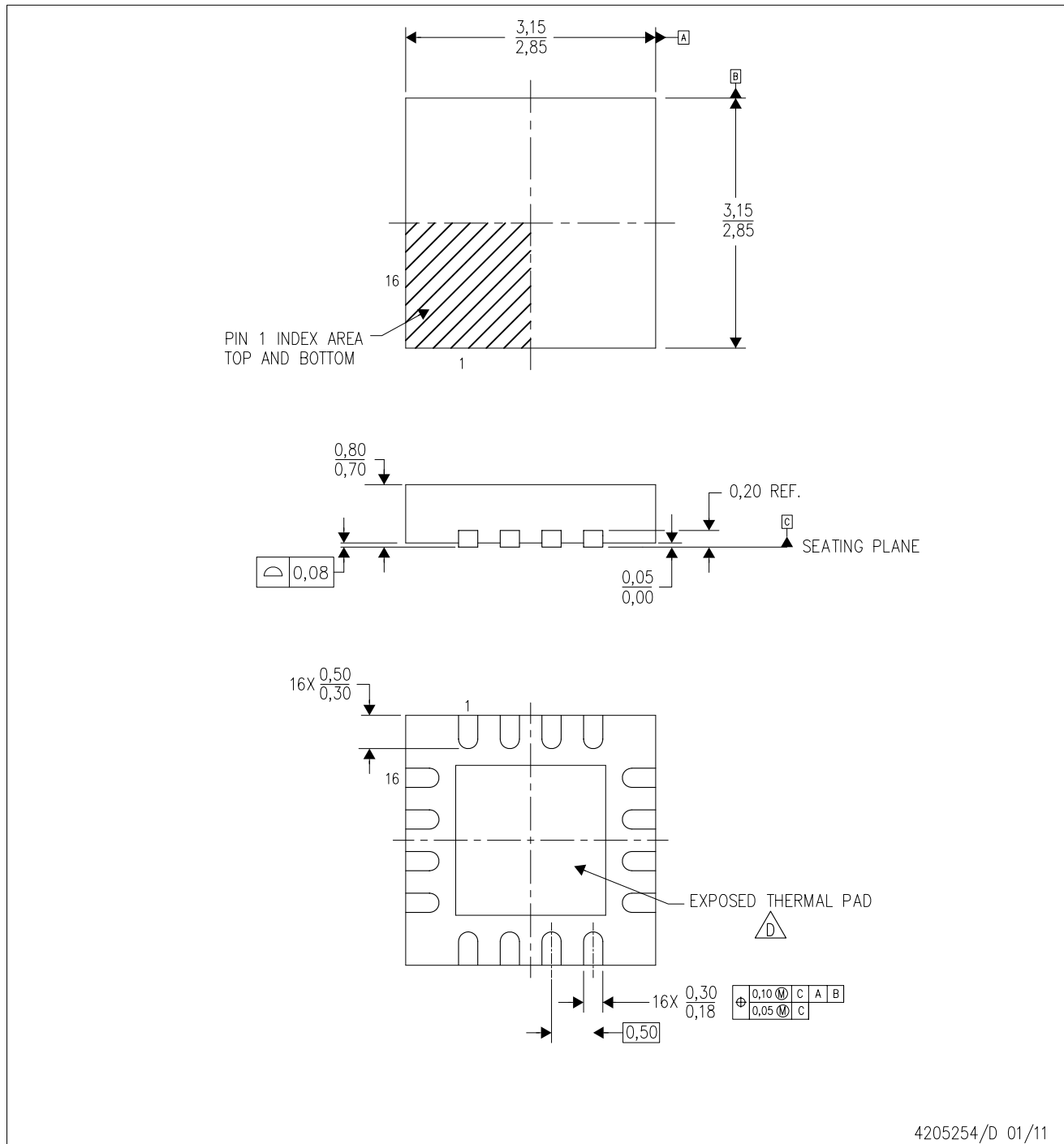
4211284-3/G 08/15

- NOTES:
- All linear dimensions are in millimeters.
  - This drawing is subject to change without notice.
  - Publication IPC-7351 is recommended for alternate designs.
  - Laser cutting apertures with trapezoidal walls and also rounding corners will offer better paste release. Customers should contact their board assembly site for stencil design recommendations. Refer to IPC-7525 for other stencil recommendations.
  - Customers should contact their board fabrication site for solder mask tolerances between and around signal pads.


# MECHANICAL DATA

RTE (S-PWQFN-N16)

PLASTIC QUAD FLATPACK NO-LEAD



4205254/D 01/11

- NOTES:
- A. All linear dimensions are in millimeters. Dimensioning and tolerancing per ASME Y14.5M-1994.
  - B. This drawing is subject to change without notice.
  - C. Quad Flatpack, No-leads (QFN) package configuration.
  -  The package thermal pad must be soldered to the board for thermal and mechanical performance. See the Product Data Sheet for details regarding the exposed thermal pad dimensions.
  - E. Falls within JEDEC MO-220.

## IMPORTANT NOTICE

Texas Instruments Incorporated (TI) reserves the right to make corrections, enhancements, improvements and other changes to its semiconductor products and services per JESD46, latest issue, and to discontinue any product or service per JESD48, latest issue. Buyers should obtain the latest relevant information before placing orders and should verify that such information is current and complete.

TI's published terms of sale for semiconductor products (<http://www.ti.com/sc/docs/stdterms.htm>) apply to the sale of packaged integrated circuit products that TI has qualified and released to market. Additional terms may apply to the use or sale of other types of TI products and services.

Reproduction of significant portions of TI information in TI data sheets is permissible only if reproduction is without alteration and is accompanied by all associated warranties, conditions, limitations, and notices. TI is not responsible or liable for such reproduced documentation. Information of third parties may be subject to additional restrictions. Resale of TI products or services with statements different from or beyond the parameters stated by TI for that product or service voids all express and any implied warranties for the associated TI product or service and is an unfair and deceptive business practice. TI is not responsible or liable for any such statements.

Buyers and others who are developing systems that incorporate TI products (collectively, "Designers") understand and agree that Designers remain responsible for using their independent analysis, evaluation and judgment in designing their applications and that Designers have full and exclusive responsibility to assure the safety of Designers' applications and compliance of their applications (and of all TI products used in or for Designers' applications) with all applicable regulations, laws and other applicable requirements. Designer represents that, with respect to their applications, Designer has all the necessary expertise to create and implement safeguards that (1) anticipate dangerous consequences of failures, (2) monitor failures and their consequences, and (3) lessen the likelihood of failures that might cause harm and take appropriate actions. Designer agrees that prior to using or distributing any applications that include TI products, Designer will thoroughly test such applications and the functionality of such TI products as used in such applications.

TI's provision of technical, application or other design advice, quality characterization, reliability data or other services or information, including, but not limited to, reference designs and materials relating to evaluation modules, (collectively, "TI Resources") are intended to assist designers who are developing applications that incorporate TI products; by downloading, accessing or using TI Resources in any way, Designer (individually or, if Designer is acting on behalf of a company, Designer's company) agrees to use any particular TI Resource solely for this purpose and subject to the terms of this Notice.

TI's provision of TI Resources does not expand or otherwise alter TI's applicable published warranties or warranty disclaimers for TI products, and no additional obligations or liabilities arise from TI providing such TI Resources. TI reserves the right to make corrections, enhancements, improvements and other changes to its TI Resources. TI has not conducted any testing other than that specifically described in the published documentation for a particular TI Resource.

Designer is authorized to use, copy and modify any individual TI Resource only in connection with the development of applications that include the TI product(s) identified in such TI Resource. NO OTHER LICENSE, EXPRESS OR IMPLIED, BY ESTOPPEL OR OTHERWISE TO ANY OTHER TI INTELLECTUAL PROPERTY RIGHT, AND NO LICENSE TO ANY TECHNOLOGY OR INTELLECTUAL PROPERTY RIGHT OF TI OR ANY THIRD PARTY IS GRANTED HEREIN, including but not limited to any patent right, copyright, mask work right, or other intellectual property right relating to any combination, machine, or process in which TI products or services are used. Information regarding or referencing third-party products or services does not constitute a license to use such products or services, or a warranty or endorsement thereof. Use of TI Resources may require a license from a third party under the patents or other intellectual property of the third party, or a license from TI under the patents or other intellectual property of TI.

TI RESOURCES ARE PROVIDED "AS IS" AND WITH ALL FAULTS. TI DISCLAIMS ALL OTHER WARRANTIES OR REPRESENTATIONS, EXPRESS OR IMPLIED, REGARDING RESOURCES OR USE THEREOF, INCLUDING BUT NOT LIMITED TO ACCURACY OR COMPLETENESS, TITLE, ANY EPIDEMIC FAILURE WARRANTY AND ANY IMPLIED WARRANTIES OF MERCHANTABILITY, FITNESS FOR A PARTICULAR PURPOSE, AND NON-INFRINGEMENT OF ANY THIRD PARTY INTELLECTUAL PROPERTY RIGHTS. TI SHALL NOT BE LIABLE FOR AND SHALL NOT DEFEND OR INDEMNIFY DESIGNER AGAINST ANY CLAIM, INCLUDING BUT NOT LIMITED TO ANY INFRINGEMENT CLAIM THAT RELATES TO OR IS BASED ON ANY COMBINATION OF PRODUCTS EVEN IF DESCRIBED IN TI RESOURCES OR OTHERWISE. IN NO EVENT SHALL TI BE LIABLE FOR ANY ACTUAL, DIRECT, SPECIAL, COLLATERAL, INDIRECT, PUNITIVE, INCIDENTAL, CONSEQUENTIAL OR EXEMPLARY DAMAGES IN CONNECTION WITH OR ARISING OUT OF TI RESOURCES OR USE THEREOF, AND REGARDLESS OF WHETHER TI HAS BEEN ADVISED OF THE POSSIBILITY OF SUCH DAMAGES.

Unless TI has explicitly designated an individual product as meeting the requirements of a particular industry standard (e.g., ISO/TS 16949 and ISO 26262), TI is not responsible for any failure to meet such industry standard requirements.

Where TI specifically promotes products as facilitating functional safety or as compliant with industry functional safety standards, such products are intended to help enable customers to design and create their own applications that meet applicable functional safety standards and requirements. Using products in an application does not by itself establish any safety features in the application. Designers must ensure compliance with safety-related requirements and standards applicable to their applications. Designer may not use any TI products in life-critical medical equipment unless authorized officers of the parties have executed a special contract specifically governing such use. Life-critical medical equipment is medical equipment where failure of such equipment would cause serious bodily injury or death (e.g., life support, pacemakers, defibrillators, heart pumps, neurostimulators, and implantables). Such equipment includes, without limitation, all medical devices identified by the U.S. Food and Drug Administration as Class III devices and equivalent classifications outside the U.S.

TI may expressly designate certain products as completing a particular qualification (e.g., Q100, Military Grade, or Enhanced Product). Designers agree that it has the necessary expertise to select the product with the appropriate qualification designation for their applications and that proper product selection is at Designers' own risk. Designers are solely responsible for compliance with all legal and regulatory requirements in connection with such selection.

Designer will fully indemnify TI and its representatives against any damages, costs, losses, and/or liabilities arising out of Designer's non-compliance with the terms and provisions of this Notice.