

PLS-041A-3 Standard Level Sensor



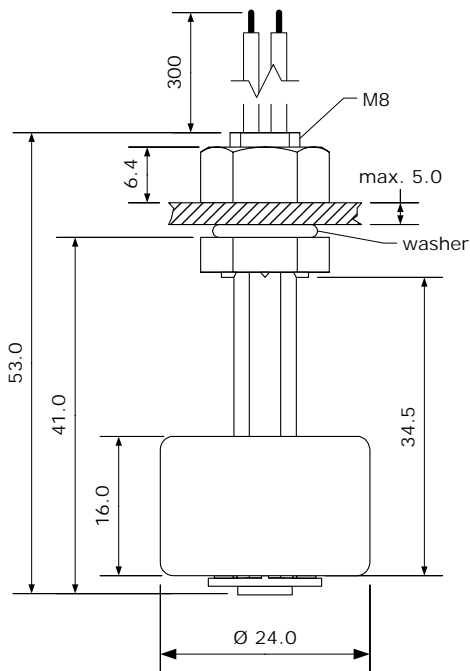
Electrical Characteristics

@25°C

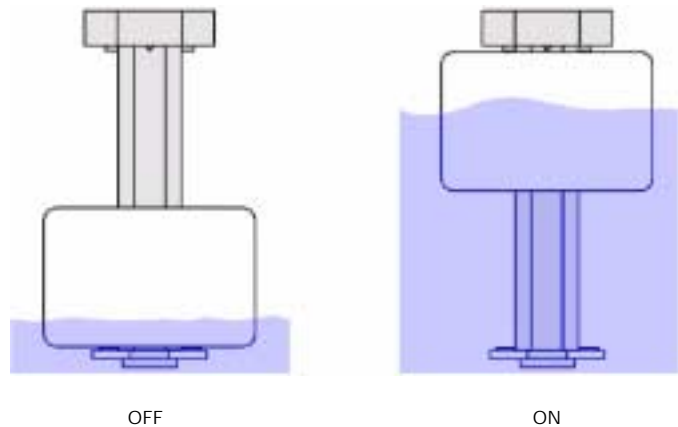
| | | |
|------------------------|--------|-----|
| Contact form | | A |
| Contact material | | Ru |
| Contact rating max. | W / VA | 10 |
| Switching current max. | A | 1.0 |
| Carry current max. | A | 1.2 |
| Switching voltage max. | VDC | 200 |
| | VAC | 140 |
| Breakdown voltage min. | VDC | 240 |

Dimensions

in mm



Operating diagram



Temperature Range

| | | |
|-----------------------|----|------------|
| Operating temperature | °C | -20 to +80 |
| Storage temperature | °C | -30 to +80 |

PLS-041A-3
Standard Level Sensor**Material****Use in**

| | |
|--------------------|-------------------------------------|
| Polypropylene (PP) | Water, dilute acids |
| Polyamide (PA) | Oil, gasoline (petrol), brake fluid |

Remarks

- When mounted near ferromagnetic parts switching points may vary

Packing

- Packing unit 10 pcs. per plastic bag, protected accordingly

Customized types available.