

PLEASE CHECK WWW.MOLEX.COM FOR LATEST PART INFORMATION

Part Number: [0353630250](#)
Status: **Active**
Overview: sherlock
Description: 2.00mm (.079") Pitch Sherlock™ Wire-to-Board Header, Right Angle, with Positive Lock, 2 Circuits, Lead-free, White, Glass-field

Documents:

[3D Model](#) [Product Specification PS-35507-004 \(PDF\)](#)
[Drawing \(PDF\)](#) [RoHS Certificate of Compliance \(PDF\)](#)

General

Product Family	PCB Headers
Series	35363
Application	Wire-to-Board
Overview	sherlock
Product Name	Sherlock™

Physical

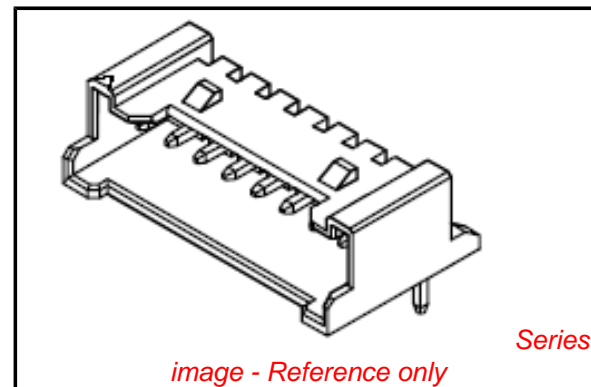
Breakaway	No
Circuits (Loaded)	2
Circuits (maximum)	2
Color - Resin	Natural
Durability (mating cycles max)	30
First Mate / Last Break	No
Glow-Wire Compliant	No
Guide to Mating Part	No
Keying to Mating Part	None
Lock to Mating Part	Yes
Material - Plating Mating	Tin
Material - Plating Termination	Tin
Material - Resin	Nylon
Number of Rows	1
Orientation	Right Angle
PC Tail Length (in)	0.126 In
PC Tail Length (mm)	3.20 mm
PCB Locator	No
PCB Retention	Yes
PCB Thickness Recommended (in)	0.062 In
PCB Thickness Recommended (mm)	1.60 mm
Packaging Type	Bag
Pitch - Mating Interface (in)	0.079 In
Pitch - Mating Interface (mm)	2.00 mm
Polarized to Mating Part	Yes
Polarized to PCB	No
Shrouded	Partial
Stackable	No
Surface Mount Compatible (SMC)	No
Temperature Range - Operating	-40°C to +105°C
Termination Interface: Style	Through Hole

Electrical

Current - Maximum per Contact	2A
Voltage - Maximum	125V

Material Info

Reference - Drawing Numbers



EU RoHS

ELV and RoHS Compliant

REACH SVHC

Not Reviewed

Halogen-Free

Status

Not Halogen-Free

China RoHS



Need more information on product environmental compliance?

Email productcompliance@molex.com
 For a multiple part number RoHS Certificate of Compliance, [click here](#)

Please visit the [Contact Us](#) section for any non-product compliance questions.

Search Parts in this Series

[35363Series](#)

Mates With

[35507 Sherlock™ Wire-to-Board Housing](#)

This document was generated on 05/24/2010

PLEASE CHECK WWW.MOLEX.COM FOR LATEST PART INFORMATION

DWG. NO. SD-35363-003

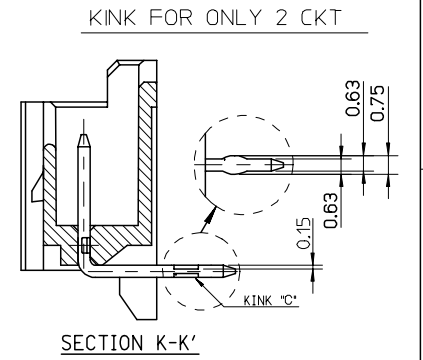
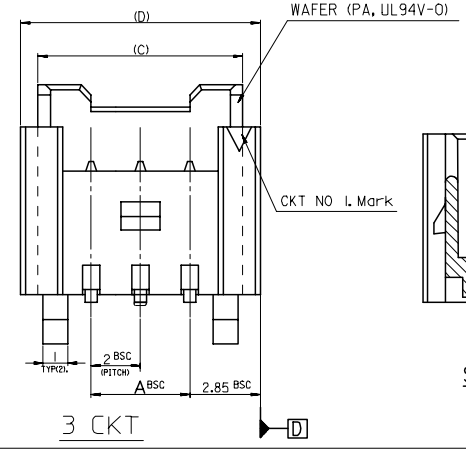
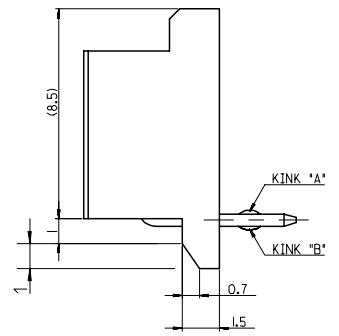
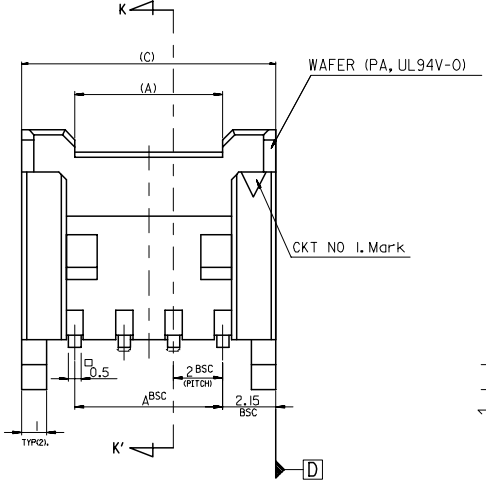
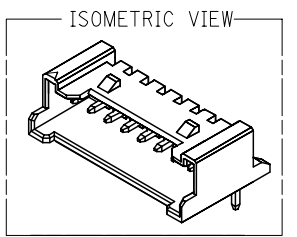
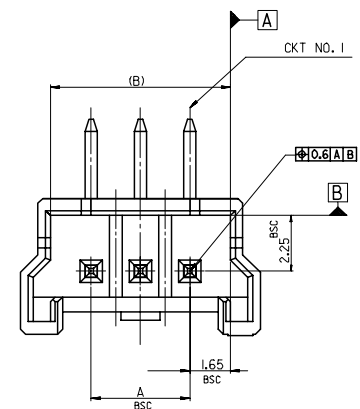
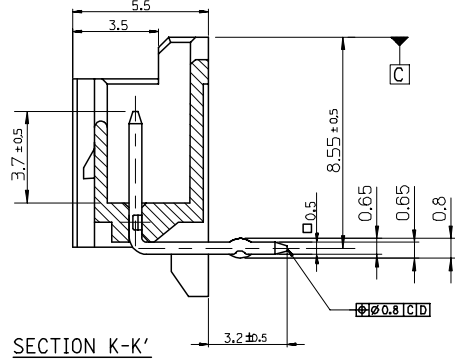
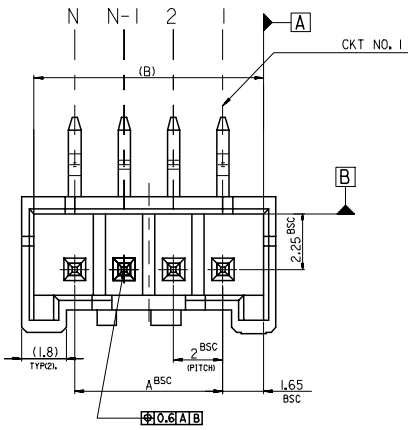
SIMILAR ITEM

PROJECT NO.

C

B

DO NOT SCALE DRAWING
DIMENSION IN METRIC



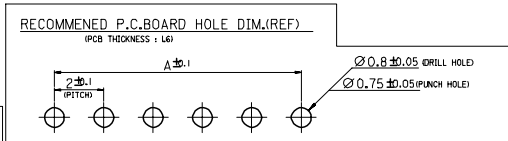
- NOTES**
- MATERIAL : WAFER : POLYAMIDE(PA), 20% GLASS FILLED, UL94V-0
PIN : BRASS
 - FINISHES :
TERMINAL: Sn 2to3 MICROMETER OVERALL
 - PRODUCT SPECIFICATION : PS-35507-003
 - MATING HOUSING : 35507-***0*
MATING TERMINAL : 50212-8000
 - KINK

LEGEND

SD-35363-***5*

CKT NO. _____

0	NATURAL
1	BLACK
2	RED
3	YELLOW
4	BLUE
5	GREEN



—	16.3	15.3	12	353630750	35363-0750	7
—	14.3	13.3	10	353630650	35363-0650	6
—	10.3	9.3	6	353630450	35363-0450	4
9.7	8.3	7.3	4	353630350	35363-0350	3
7.7	6.3	5.3	2	353630250	35363-0250	2
(D)	(C)	(B)	A	MATERIAL NO.	ENG. NO.	CKT

CKT NO	1	2	3	4	5	N-2	N-1	N
6 CKT OVER	-	A	B	-	-	B	A	-
4 CKT	A	B	B	A				
3 CKT	A	B	A					
2 CKT	C	C						

30 over	±0.3
10 over 30 under	±0.25
10 under	±0.2
ANGLE	±3°
GENERAL TOLERANCE	

REVISED	EC NO. K0FZ006-0110 DRWN: Y.R.KIM 06/03/08 CHK: Y.SOO.KIM APPR: SH-CHOI	QUALITY SYMBOLS MAJOR = CRITICAL =	GENERAL TOLERANCES: (UNLESS SPECIFIED)
B			mm INCH 4 PLACES ±0. ±. 3 PLACES ±0. ±. 2 PLACES ±0. ±. 1 PLACE ±0. ±. ANGULAR: ±
REV	DESCRIPTION		DRAFT WHERE APPLICABLE MUST REMAIN WITHIN DIMENSIONS

SCALE 1:1	DESIGN UNITS <input checked="" type="checkbox"/> mm <input type="checkbox"/> INCH	THIRD ANGLE PROJECTION	DIMENSIONS: <input type="checkbox"/> mm <input type="checkbox"/> INCH <input checked="" type="checkbox"/> mm ONLY	SHT	REV
DRAWN BY & DATE Y.R.KIM 05/04/04		CHECKED BY & DATE Y.SOO.KIM		APPROVED BY & DATE C.W.LEE	
CAD FILENAME SD-35363-003.mi		MATERIAL NO. SEE NOTE		DRAWING NO. SD-35363-003	
THIS DRAWING CONTAINS INFORMATION THAT IS PROPRIETARY TO MOLEX INCORPORATED AND SHOULD NOT BE USED WITHOUT WRITTEN PERMISSION.		MATERIAL NO. SEE NOTE		DRAWING NO. SD-35363-003	
TITLE: NEW 2.0 W/B CONN WAFER ASSY (R/A)		MATERIAL NO. SEE NOTE		DRAWING NO. SD-35363-003	
DRAWN BY & DATE Y.R.KIM 05/04/04		CHECKED BY & DATE Y.SOO.KIM		APPROVED BY & DATE C.W.LEE	
MATERIAL NO. SEE NOTE		DRAWING NO. SD-35363-003		SHEET NO. 1 OF 1	
THIS DRAWING CONTAINS INFORMATION THAT IS PROPRIETARY TO MOLEX INCORPORATED AND SHOULD NOT BE USED WITHOUT WRITTEN PERMISSION.		MATERIAL NO. SEE NOTE		DRAWING NO. SD-35363-003	
DRAWN BY & DATE Y.R.KIM 05/04/04		CHECKED BY & DATE Y.SOO.KIM		APPROVED BY & DATE C.W.LEE	
MATERIAL NO. SEE NOTE		DRAWING NO. SD-35363-003		SHEET NO. 1 OF 1	

MX-A3