

PLEASE CHECK WWW.MOLEX.COM FOR LATEST PART INFORMATION

Part Number: **0304530400**
Status: **Active**
Description: 2.00mm (.079") Pitch Cable Holder, Vertical, for Ribbon Cable, with Polarization, 4 Circuits

Documents:

[3D Model](#) [Product Specification PS-30453-0000 \(PDF\)](#)
[Drawing \(PDF\)](#) [RoHS Certificate of Compliance \(PDF\)](#)

General

Product Family Ribbon Cable / Wire Trap Connectors
 Series [30453](#)
 Component Type One Piece
 Glow-Wire Compliant No
 Product Name Board-In, Cable Holder

Physical

Circuits (Loaded) 4
 Color - Resin Natural
 Entry Angle Vertical
 Lock to Mating Part None
 Material - Resin Polyester
 Number of Rows 1
 PCB Retention Yes
 PCB Thickness Recommended (in) 0.062 In
 PCB Thickness Recommended (mm) 1.60 mm
 Packaging Type Bag
 Pitch - Mating Interface (in) 0.079 In
 Pitch - Mating Interface (mm) 2.00 mm
 Polarized to Mating Part N/A
 Polarized to PCB Yes
 Stackable No
 Surface Mount Compatible (SMC) No
 Temperature Range - Operating -40°C to +85°C
 Wire Insulation Diameter 1.20mm (.047") max.
 Wire Size AWG 26
 Wire/Cable Type Ribbon Cable

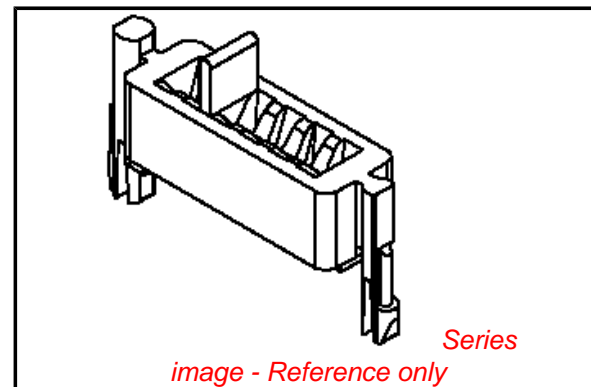
Electrical

Current - Maximum per Contact 2.25A
 Voltage - Maximum 250V

Material Info

Reference - Drawing Numbers

Product Specification PS-30453-0000
 Sales Drawing SD-30453-****



EU RoHS

ELV and RoHS Compliant
REACH SVHC Contains SVHC: No
Halogen-Free Status
Not Reviewed

China RoHS



Need more information on product environmental compliance?

Email productcompliance@molex.com
 For a multiple part number RoHS Certificate of Compliance, [click here](#)

Please visit the [Contact Us](#) section for any non-product compliance questions.

Search Parts in this Series

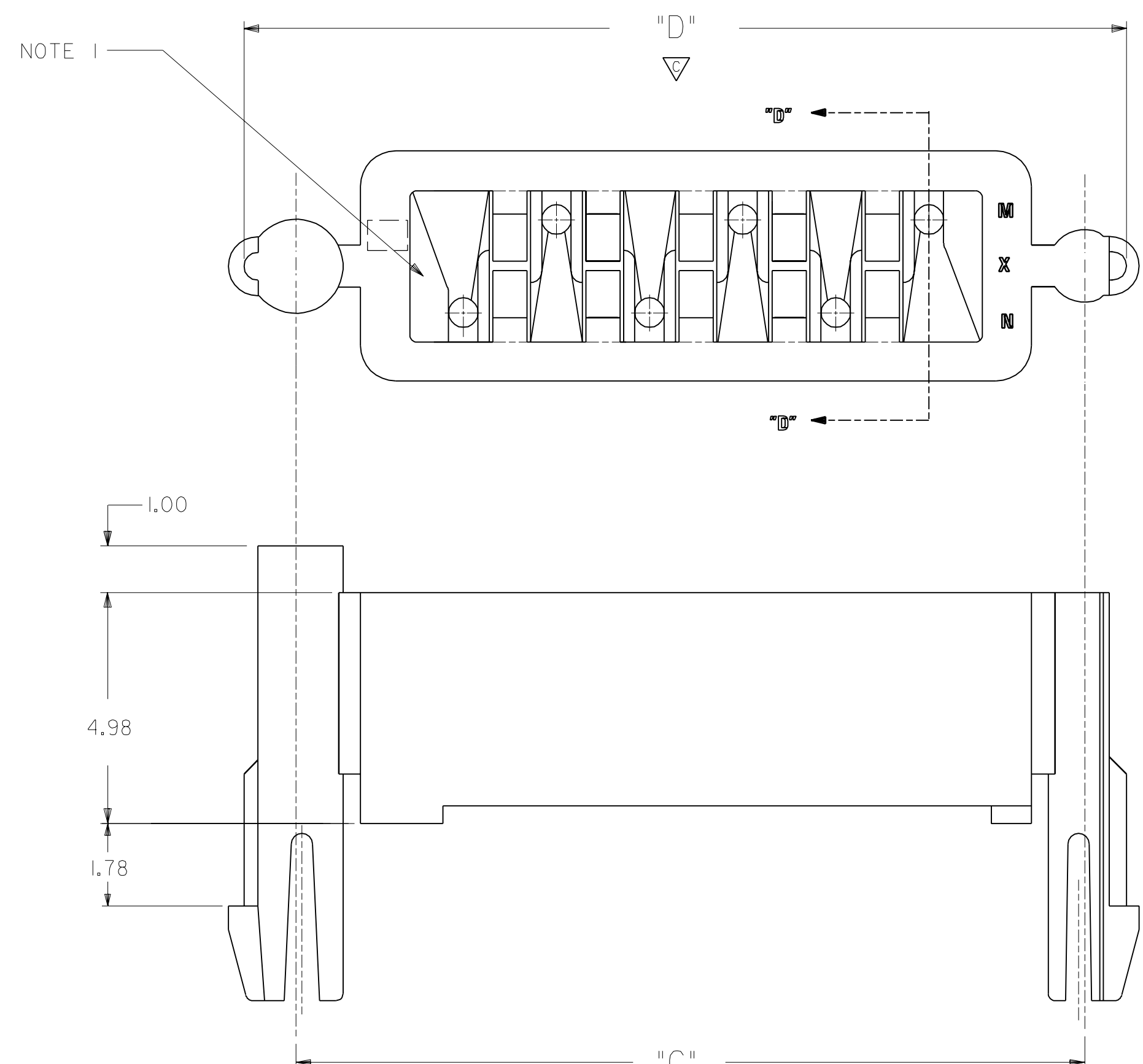
[30453Series](#)

Mates With

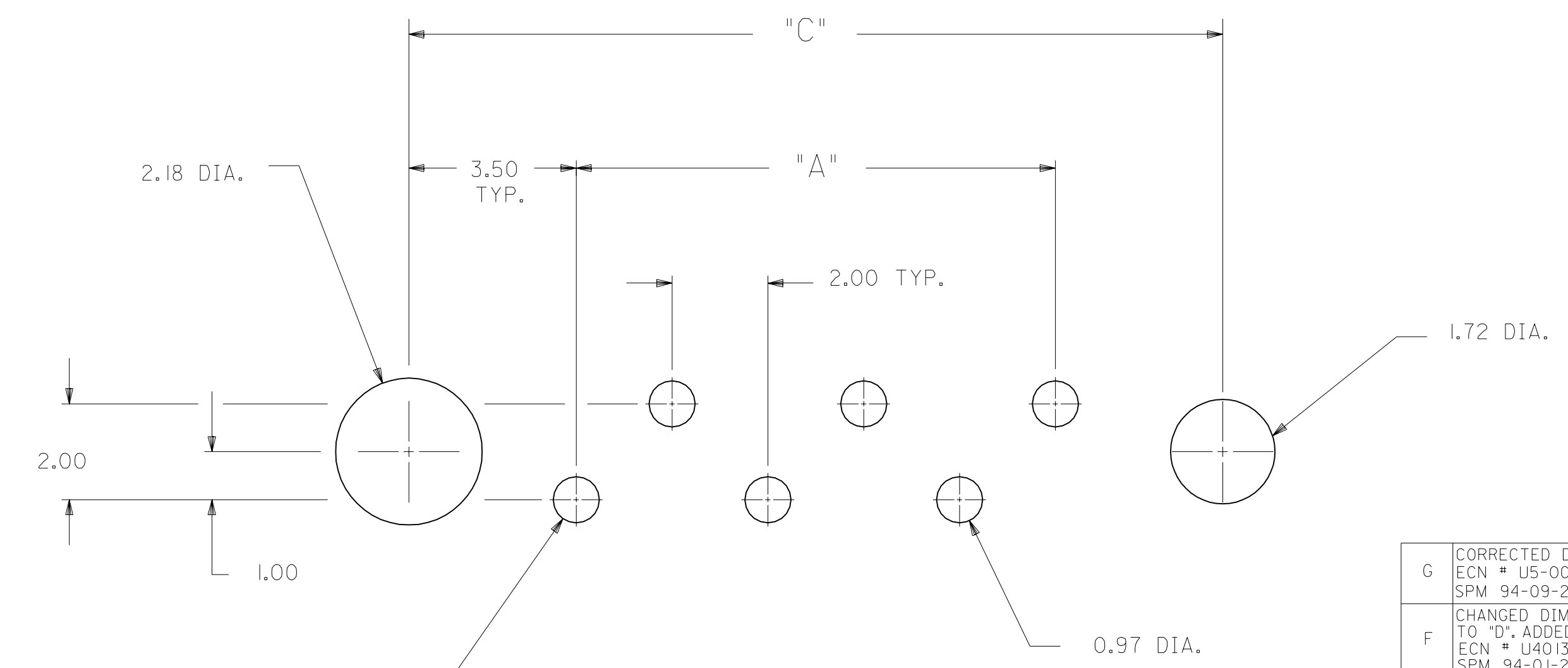
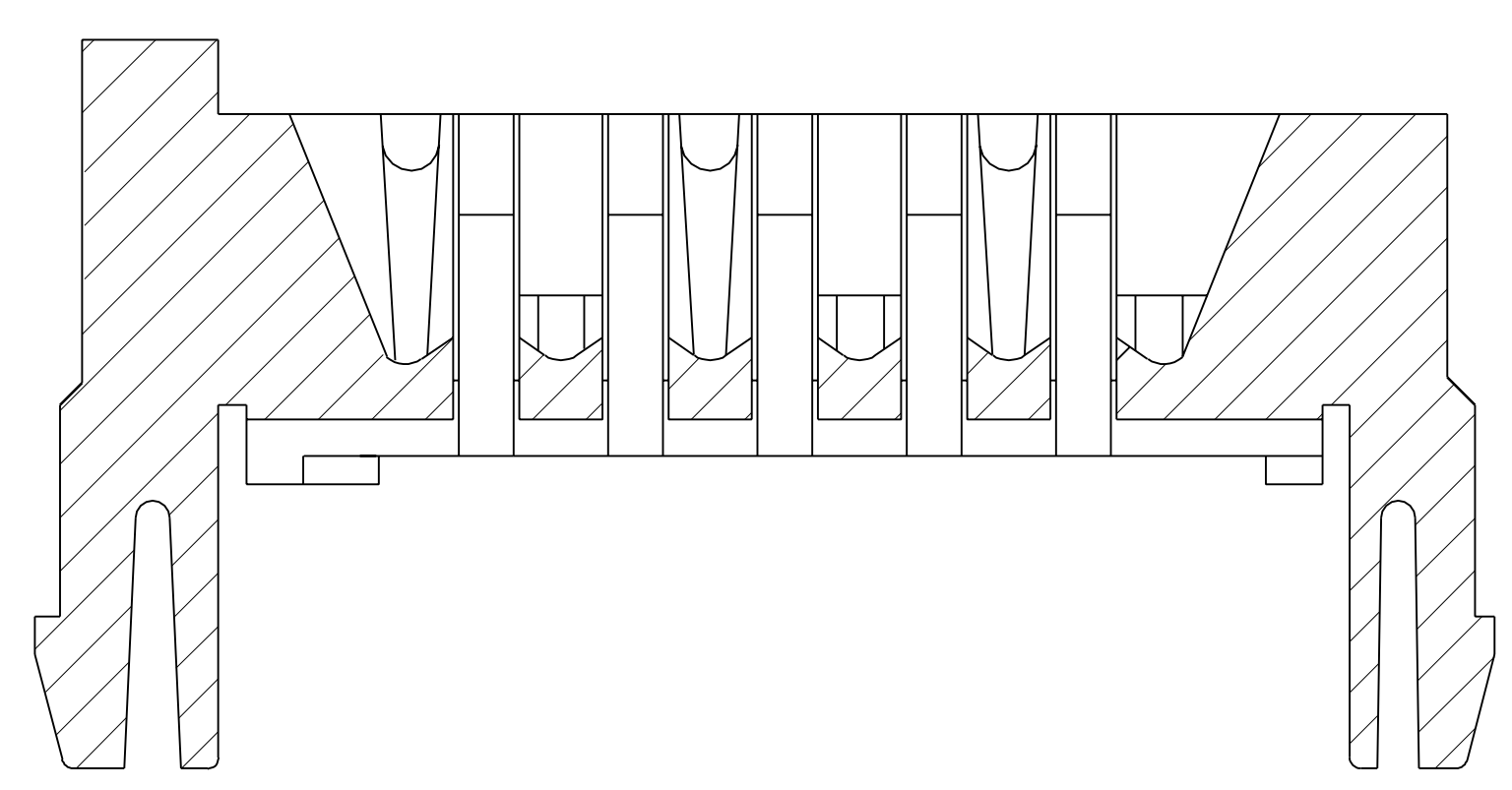
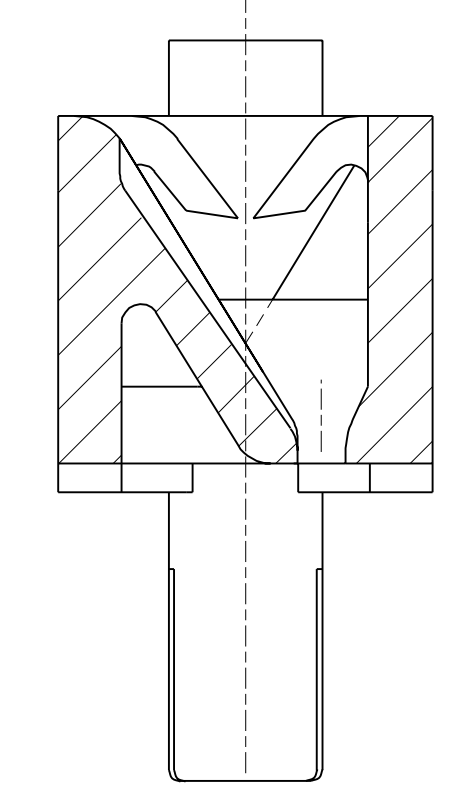
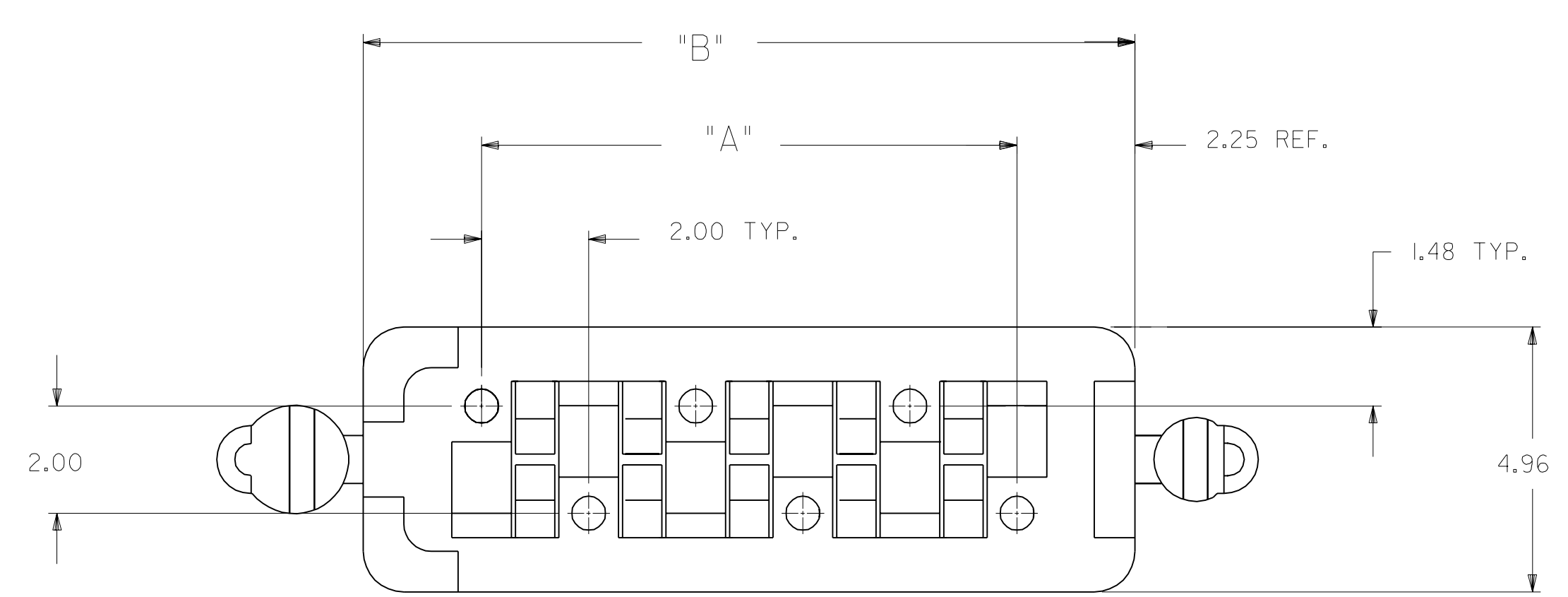
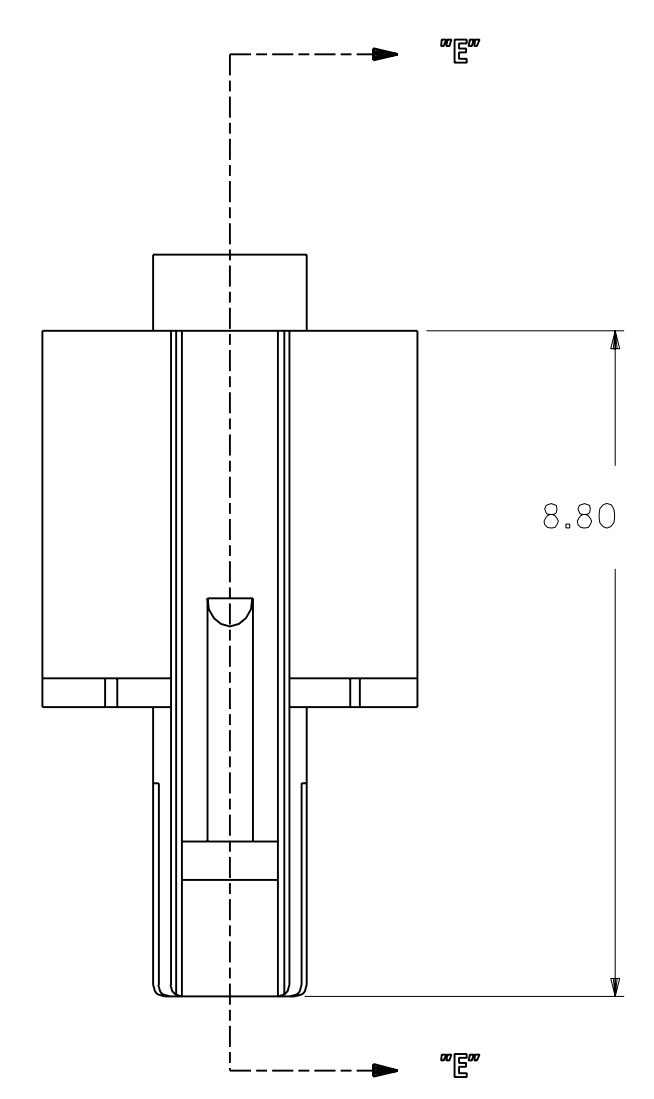
N/A

Use With

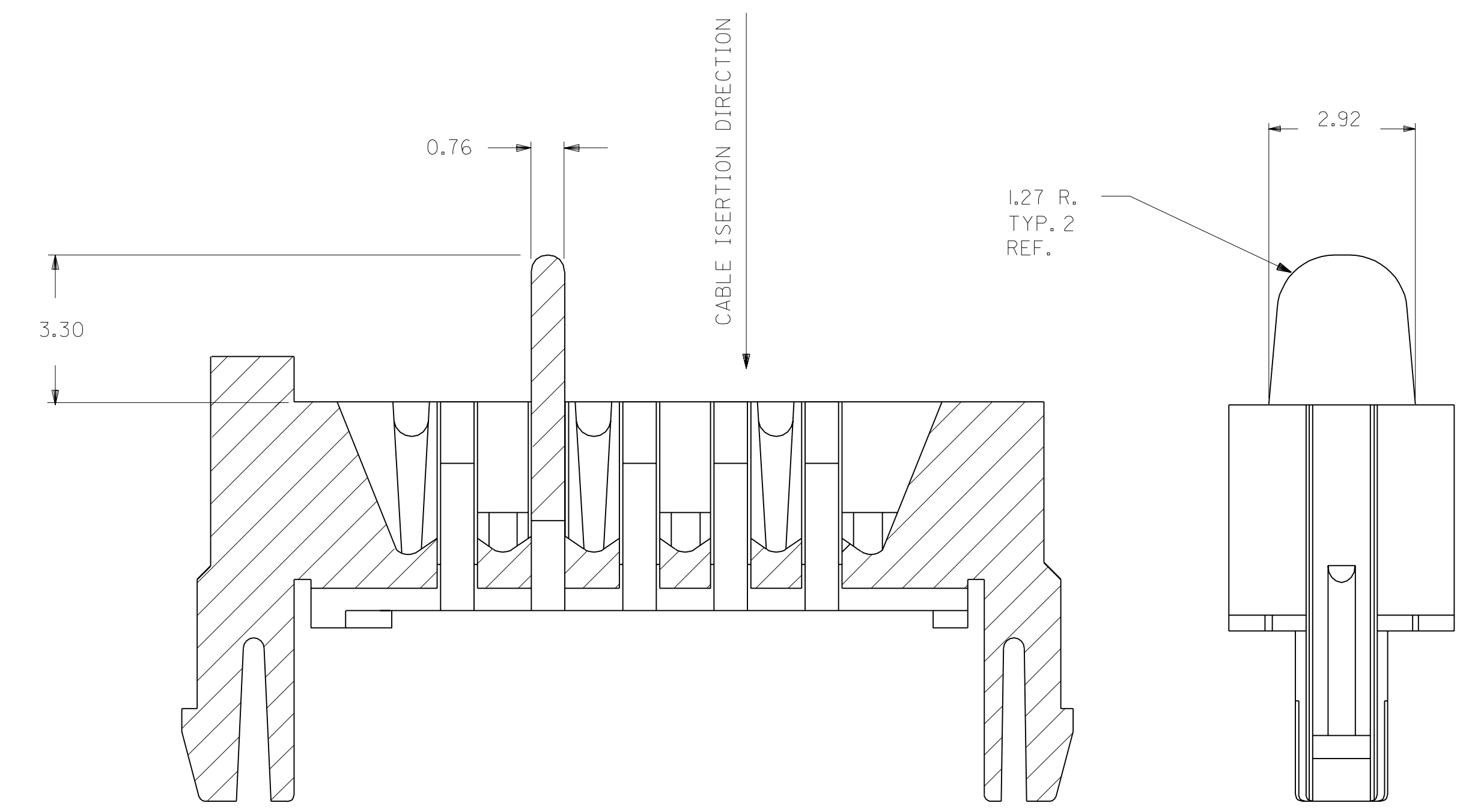
Topcoated or solid wire ribbon cable



- NOTES:
1. FLASH ON HOLE PERIMETER TO BE .08 MAX.
 2. THE 'X' OR BLANK PRECEEDING THE ITEM NO. INDICATES IT'S NON-AVAILABILITY OR AVAILABILITY, RESPECTIVELY.
 3. PRODUCT SPECIFICATION 30452-0000 APPLIES.



RECOMMENDED P.C. BOARD LAYOUT
BOARD THICKNESS 1.57
BOARD TOLERANCE ± .05



OPTIONAL POLARIZATION FEATURE-
LOCATED BETWEEN CIRCUITS 2 & 3
(SEE CHART SHT. 2)

MATERIAL: POLYESTER, VALOX 457 7.5% GLASS FILLED
POLYESTER OR EQUIVALENT
COLOR : WHITE

G	CORRECTED DIM. 'D' ECN # U5-0007 SPM 94-09-23
F	CHANGED DIM. 'C'+2.14' TO 'D'. ADDED NOTE 3 ECN # U40133 SPM 94-01-28
E	ADDED CRITICAL DIM. CORRECTED PEG PICTORIALLY ECN # U31550 SPM 93-10-29
D	UPDATED PEG GEOMETRY ECO # U3-0827 SPM 93-05-28
C	CHANGED DIM. FROM: 2.30 TO: 3.30 ECO # U3-0647 SPM 93-04-27
B	DELETED 'C' ON PLAN VIEW DELETED 1.25 REF DELETED REF'S ECO # U3-0397 SPM 93-03-16
A	ECO NO. U21431 ADDED DIM. C + 2.14 MAX.; ADDED NOTE 2 COL. TO CHART; ITEM NO. WAS ENG. NO.; REV. DELCO P/N'S 8.2 REF. WAS 8.2 2.3 REF. WAS 2.3 1.0 REF. WAS 1.0 4.98 REF. WAS 4.98 1.78 REF. WAS 1.78 1.27 REF. WAS 1.27 2.92 REF. WAS 2.92 ADDED NOTE 2; REL TO PROD. DF 9/22/92
10	ADDED 1.00 HIGH POST DF 6/29/92
9	UPDATED DWG LEG 05-27-92
8	CHANGED MATERIAL AJP/LEG 2/24/92
7	REVISED BOARD LOCKS LEG 02-05-92
6	MAT'L WAS NYLON ADD OPTIONAL POLARIZATION FEATURE ECR. #U12164 R.J.G. 9/1/11/7
5	REV. LEAD-IN ON END CKTS. ECR. #U1862 R.J.G. 9/1/10
4	ADD MATERIAL NOTE REV. P.C.B HOLE SIZE AND BOARD LOCK SIZE ECR. #U1150 R.J.G. 9/1/6/26
3	ADD 1.25 REF. AND 2.25 REF. R.J.G. 9/1/4/10
2	REV. PEGS ECR. #U10729 R.J.G. 9/1/4/2
1	WAS 4MM HIGH R.J.G. 9/1/3/13

DIMENSIONS SHOWN (METRIC) INCH		▽=2 ▼=0		REVISE ONLY ON CAD SYSTEM	
UNLESS OTHERWISE SPECIFIED TOLERANCES: ANGULAR ± 1/2°					
INCH		METRIC			
3 PLACE	± .005	---	---		
2 PLACE	± .01	± .13	---		
1 PLACE	---	± .25	---		
DRAWING INFORMATION					
DRWG. NO.	FILE NAME	DATE	SHEET NO.	DATE	
SD-30453-***	S30453	9/1/97	1 OF 2	9/1/97	
SEE CHART		DIV. SIZE			
MATERIAL		POLYESTER, VALOX 457 7.5% GLASS FILLED			
COLOR		WHITE			

NOTE 2	ITEM NO.	CKT. #	DIM. "A"	DIM. "B"	DIM. "C"	DIM. "D"	POLARIZATION	NO. OF CABLE RET. FINGERS
	304-53-0400	4	6.00	10.50	13.00	14.90	NOT AVAILABLE	3
X	304-53-0500	5	8.00	12.50	15.00	16.90	YES	4
	304-53-0600	6	10.00	14.50	17.00	18.90	YES	5
X	304-53-0700	7	12.00	16.50	19.00	20.90	YES	6
	304-53-0800	8	14.00	18.50	21.00	22.90	YES	7
	304-53-0900	9	16.00	20.50	23.00	24.90	YES	8
	304-53-1000	10	18.00	22.50	25.00	26.90	YES	9
	304-53-1100	11	20.00	24.50	27.00	28.90	YES	10
	304-53-1200	12	22.00	26.50	29.00	30.90	YES	10 5 AT EACH END
X	304-53-1300	13	24.00	28.50	31.00	32.90	YES	10 5 AT EACH END
X	304-53-1400	14	26.00	30.50	33.00	34.90	YES	10 5 AT EACH END
X	304-53-1500	15	28.00	32.50	35.00	36.90	YES	10 5 AT EACH END
X	304-53-1600	16	30.00	34.50	37.00	38.90	YES	10 5 AT EACH END
X	304-53-1700	17	32.00	36.50	39.00	40.90	YES	10 5 AT EACH END
X	304-53-1800	18	34.00	38.50	41.00	42.90	YES	10 5 AT EACH END
	304-53-1900	19	36.00	40.50	43.00	44.90	YES	10 5 AT EACH END
X	304-53-2000	20	38.00	42.50	45.00	46.90	YES	10 5 AT EACH END
X	304-53-2100	21	40.00	44.50	47.00	48.90	YES	10 5 AT EACH END

G	SEE SHEET I
F	SEE SHEET I
E	SEE SHEET I
D	SEE SHEET I
C	SEE SHEET I
B	SEE SHEET I
A	SEE SHEET I
10	SEE SHEET I
9	SEE SHEET I
8	SEE SHEET I

DIMENSIONS SHOWN (METRIC) INCH		UNLESS OTHERWISE SPECIFIED TOLERANCES: ANGULAR ± 1/2°		MFG. SH. REV. LTR. REVISIONS	
INCH		METRIC		REVISIONS	
3 PLACE	± .005	---		= 0	
2 PLACE	± .01	± 0.13		= 0	
1 PLACE	---	± 0.25		REVISE ONLY ON CAD SYSTEM	
TITLE					
CABLE HOLDER					
2.00 PITCH					
MOLEX INCORPORATED		SHEET NO.	DATE		
LITTLE FALLS, U.S.A.		2	9/11/7		
PART NO.		DRWG. NO.			
SEE CHART		SD-30453-****			
DRWG. BY	RJG	CHK'D. BY	LEG	FILE NAME	THIS DRAWING CONTAINS INFORMATION THAT IS PROPRIETARY TO MOLEX INC. AND SHOULD NOT BE USED WITHOUT WRITTEN PERMISSION.
APP'D. BY	SC	SCALE	10:1	S30453X2	DIV. AU