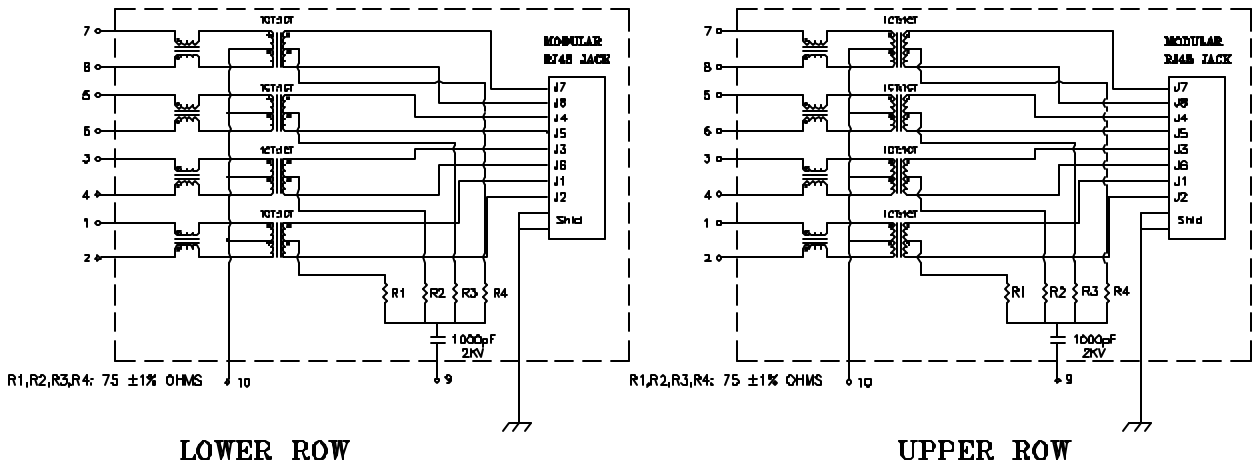


Schematic:



LOWER ROW

UPPER ROW

Electrical Specifications: @25°C

- ISOLATION: 1500 Vrms
- TURNS RATIO: (PRI/SEC) 1CT:1CT ±2%
- OCL: 350uH MIN @100KHz 100mV 8mADC
- Rise Time: 1.75ns Max.
- INSERTION LOSS: -1.0dB MAX @1MHz-100MHz
-1.5dB MAX @100-125MHz
- RETURN LOSS: -18dB Min @1-30MHz
-15dB Typ @40MHz -13.1dB Typ @50MHz
-12dB Typ @60-80MHz -10dB Typ @100MHz
- Differential to Common Mode Rejection:
-43dB Min @30MHz -37dB Min @80MHz
-33dB Min @100MHz
- CMRR: -30dB Min @1-100MHz
- Crosstalk: -45dB Min @30MHz
-40dB Min @60MHz -35dB Min @100MHz

Notes:

1. Solderability: Leads shall meet MIL-STD-202G, Method 208H for solderability.
2. Flammability: UL94V-0
3. ASTM oxygen index: > 28%
4. Insulation System: Class F 155°C. UL file E151556
5. Operating Temperature Range: All listed parameters are to be within tolerance from -40°C to +85°C
6. Storage Temperature Range: -55°C to +125°C
7. Aqueous wash compatible
8. Electrical and mechanical specifications 100% tested
9. RoHS Compliant Component

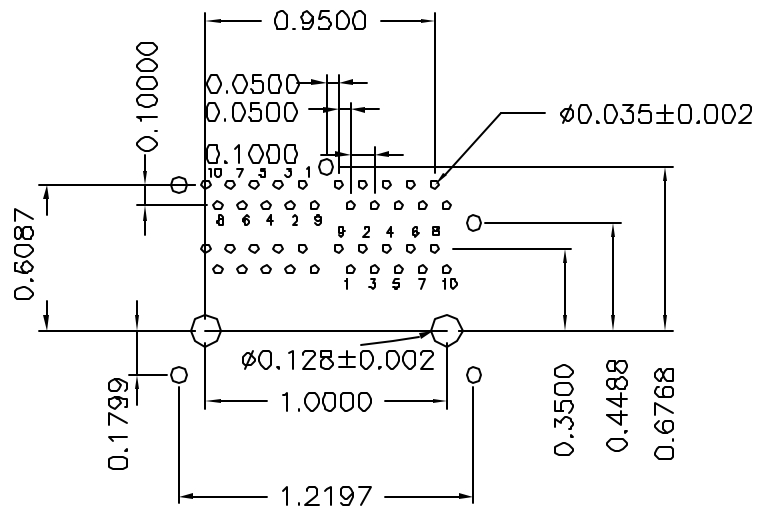
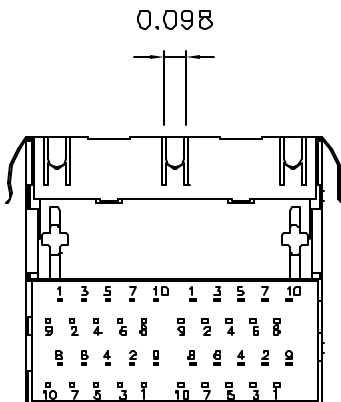
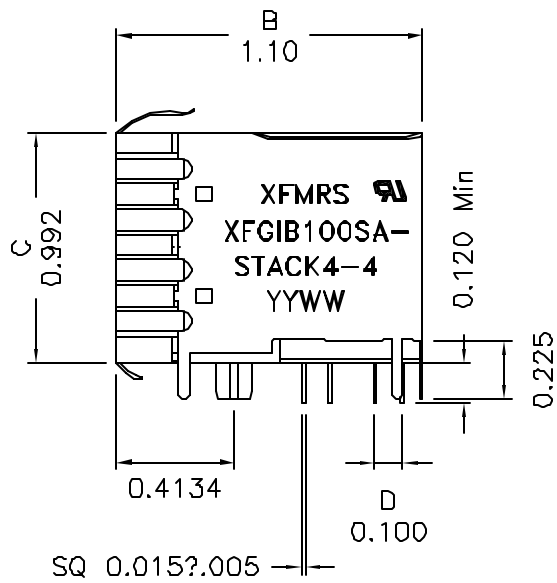
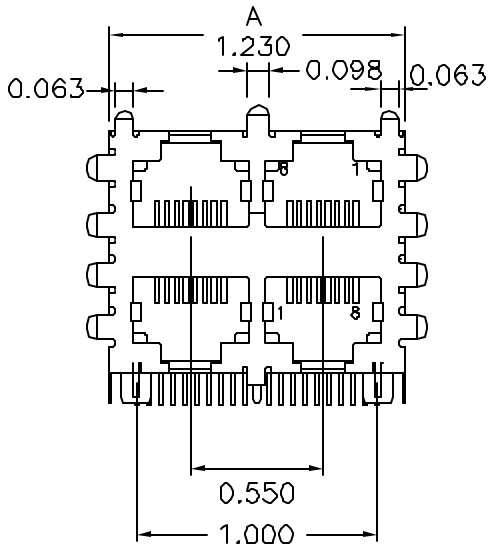
DOC REV: A/1

PROPRIETARY:

Document is the property of XFMRS Group & is not allowed to be duplicated without authorization.

XFMRS Inc. www.XFMRS.com	Title: 2X2 STACKED COMBO		
	UNLESS OTHERWISE SPECIFIED TOLERANCES: .xxx ±0.010 Dimensions in Inch	P/N: XFG1B100SA-STACK4-4	REV. A
SHEET 1 OF 2	DWN.	Juan Mao	May-31-06
	CHK.	YK Liao	May-31-06
	APP.	BW	May-31-06

Mechanical Dimensions:



DOC REV: A/1

XFMRs Inc.
www.XFMRs.com

Title: Mechanical Dimensions
For 2x2 STACKED COMBO Series

UNLESS OTHERWISE SPECIFIED
TOLERANCES:
.xxx ±0.010
Dimensions in Inch

P/N: XFGIB100SA-STACK4-4
DWN.
CHK.
APP.

REV. A
May-31-06
May-31-06
May-31-06

SHEET 2 OF 2

Juan Mao
YK Liao
BW

PROPRIETARY:

Document is the property of XFMRs Group & is not allowed to be duplicated without authorization.