

Timer, Counter, Tachometer KCT-6S-C

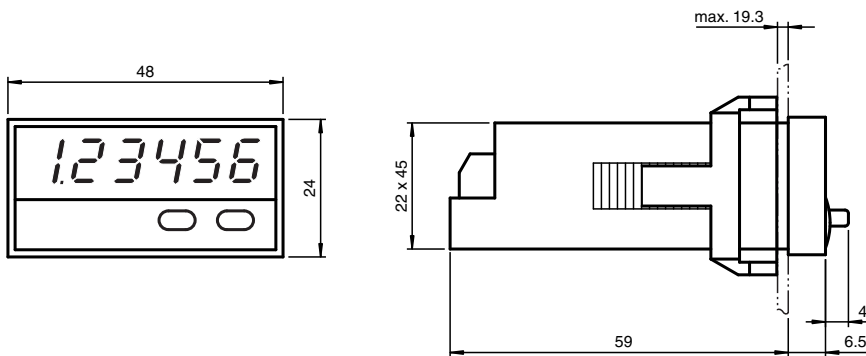


- Counter frequency up to 20 kHz
- LED indicator, red
- 6 decade devices
- Operation via keypad
- Two counter inputs
- Fixing with plug-in frame for easy installation
- Connection via screw terminals
- Manual or external reset
- PNP and NPN sensors can be connected
- Shock resistance in accordance with DIN EN 60068-2-27
- Vibration resistance in accordance with DIN EN 60068-2-6

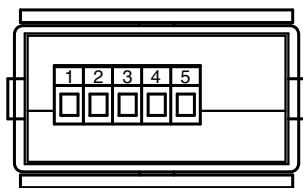
Counter



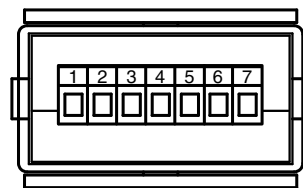
Dimensions



KCT-6S-C



KCT-6ST-C



Technical Data

General specifications

Pre-selection	-
Data storage	10 ⁶ storage cycles or 10 years, EEPROM
Programming	keypad-driven menu

Functional safety related parameters

MTTF _d	1500 a
Mission Time (T _M)	10 a
Diagnostic Coverage (DC)	0 %

Release date: 2020-03-20 Date of issue: 2020-03-26 Filename: 097901_eng.pdf

Refer to "General Notes Relating to Pepperl+Fuchs Product Information".

Pepperl+Fuchs Group
www.pepperl-fuchs.com

USA: +1 330 486 0001
fa-info@us.pepperl-fuchs.com

Germany: +49 621 776 1111
fa-info@de.pepperl-fuchs.com

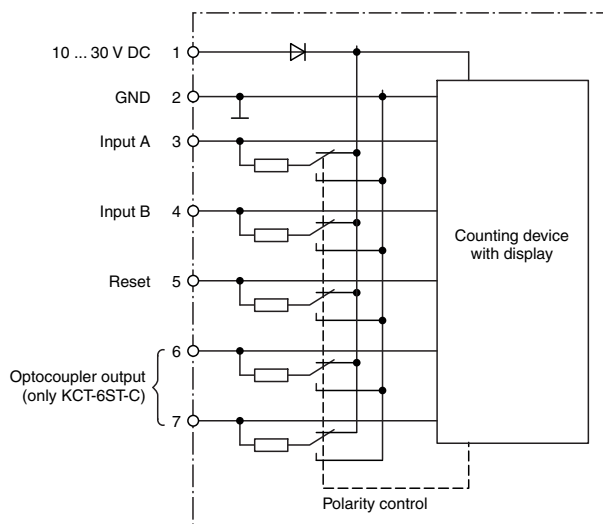
Singapore: +65 6779 9091
fa-info@sg.pepperl-fuchs.com

PEPPERL+FUCHS

Technical Data

Indicators/operating means		
Type	7-segment LED display, red	
Number of digits	6	
Display value	digit height 8 mm	
Pre-selection	-	
Key interlock	-	
Display interval	-199999 ... 999999 with suppression of leading zeros	
Decimal point	0 to max 3 fractional digits	
Scale factor	0.0001 ... 99.9999	
Reset	manually or external	
Electrical specifications		
Operating voltage	U_B	10 ... 30 V DC
Power consumption	P_0	1.5 W
Input		
Counting frequency	30 Hz / 20 kHz	
Impedance	10 kOhm	
Voltage	low: 0 V DC ... 0.2 x supply voltage; high: 0.6 x supply voltage ... 30 V DC	
Counting method	adding or subtracting	
Ambient conditions		
Ambient temperature	-10 ... 50 °C (14 ... 122 °F)	
Storage temperature	-25 ... 70 °C (-13 ... 158 °F)	
Relative humidity	≤ 80 % (noncondensing)	
Mechanical specifications		
Connection	5-pin screw terminal , max. core cross-section 0.34 ... 1.5 mm ²	
Mass	48 g	
Dimensions	48 mm x 24 mm x 65 mm	
Mounting	latch fastener	

Connection



Release date: 2020-03-20 Date of issue: 2020-03-26 Filename: 097901_eng.pdf

Refer to "General Notes Relating to Pepperl+Fuchs Product Information".

Pepperl+Fuchs Group
www.pepperl-fuchs.com

USA: +1 330 486 0001
fa-info@us.pepperl-fuchs.com

Germany: +49 621 776 1111
fa-info@de.pepperl-fuchs.com

Singapore: +65 6779 9091
fa-info@sg.pepperl-fuchs.com