

IEC Appliance Inlet C18 with Fuseholder 1-pole



**Description**

- Panel Mount:  
Screw-on version from front or rear side, Appliance Inlet, Protection class II, Fuseholder for fuse-links 5 x 20 mm
- Solder terminals or quick connect terminals

**Approvals**

- UL File Number: E93617
- CSA File Number: 27324

**References**

This type is Phase-out. Alternate type: [6202](#)  
Last order date: 31.12.2012

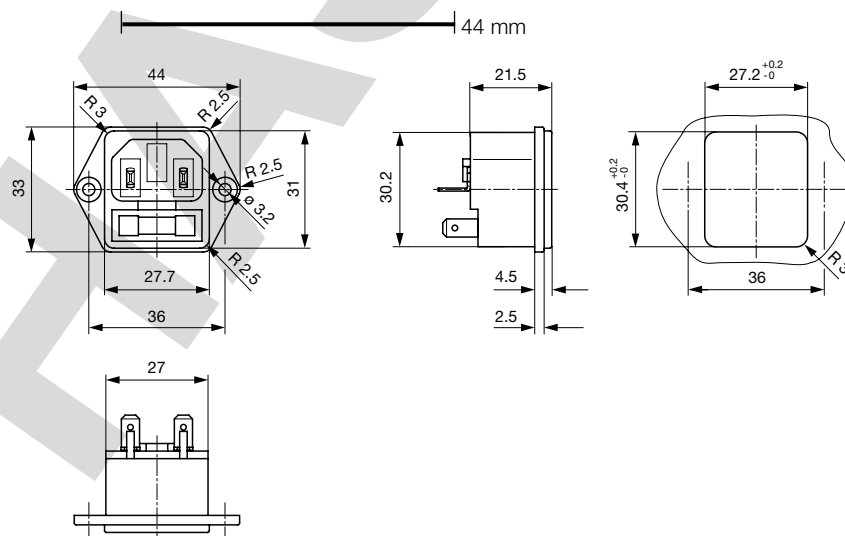
**Weblinks**

[pdf-datasheet](#), [html-datasheet](#), [General Product Information](#), [Approvals](#), [RoHS](#), [CHINA-RoHS](#), [Mating Connectors](#), [e-Shop](#), [SCHURTER-Stock-Check](#), [Distributor-Stock-Check](#), [CAD-Drawings](#), [Accessories](#), [Detailed request for product](#)

**Technical Data**

Ratings IEC	10A / 250VAC; 50Hz	Appliance Inlet	C18 acc. to IEC 60320
Ratings UL/CSA	10A / 250VAC; 60Hz		UL 498, CSA C22.2 no. 42 (for cold conditions) pin-temperature 70 °C, 10A, Protection Class II
Dielectric Strength	> 3kVAC between L-N > 1.5kVAC between L/N-PE (1 min/50Hz)	Fuseholder	1-pole, acc. to IEC 60127-6, for fuse-links 5 x 20mm
Allowable Operation Temp.	-25 °C to 70 °C	Power Acceptance @ Ta > 23°C	Admissible power acceptance at higher ambient temperature see derating curves
Degree of Protection	from front side IP 20 acc. to IEC 60529		
Protection Class	Suitable for appliances with protection class II acc. to IEC 61140		
Terminal	Solder terminals or quick connect terminals		
Material: Housing	PA6, black / grey / white, UL 94V-0		

**Dimensions**



Length of the terminal please find at the order code configuration table

## Config. Code




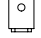
1065 - H - A B C N - D - E G O

The characters are placeholders for the correspondingly keys of selections from the key tables.

1065 - **H** - A B C N - D - E G O = Type

Type	Configuration key
protection class 2	B

1065 - H - **A** B C N - D - E G O = Terminals

Terminal L	Configuration key
short solder terminal (L = 4.8 mm) 	2
long solder terminal (L = 8.5 mm) 	3
Blade terminal (4.8 x 0.8 mm) 	8
Blade terminal (6.3 x 0.8 mm) 	9

1065 - H - A **B** C N - D - E G O = Terminals

Terminal N	Configuration key
short solder terminal (L = 4.8 mm)	2
long solder terminal (L = 8.5 mm)	3
Blade terminal (4.8 x 0.8 mm)	8
Blade terminal (6.3 x 0.8 mm)	9

Symbols similar as in table A

1065 - H - A B **C** N - D - E G O = Terminals

Terminal Ground	Configuration key
without terminal	0

Symbols similar as in table A

1065 - H - A B C **N** - D - E G O = Terminal Fuseholder

Terminal Fuseholder	Configuration key
solder terminal	1
Blade terminal (4.8 x 0.8 mm)	8

1065 - H - A B C N - **D** - E G O = Color

Color	Configuration key
Black	A
Grey	B
White	D

1065 - H - A B C N - D - **E** G O = Style

Style	Configuration key
flange with countersunk holes	1
flange with through holes	2

1065 - H - A B C N - D - E **G** O = Dimension X

Dimension "X"	Configuration key
00	

The dimension "X" is displayed in ( $\frac{1}{10}$  mm). This information is also valid for the order code

1065 - H - A B C N - D - E G **O** = Features

Features	Configuration key
dead cover	1
holder for 1 fuse (text legible, when inlet on top)	2
holder for 1 fuse (text legible, when inlet on bottom)	3

## Variants

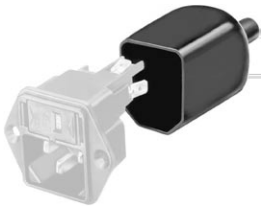
Config. Code	Description	Order Number
1065-X-2201-A-1002	1065, IEC Power Entry Module C18, 70°C, version: 2, L: short solder terminal (L = 4.8 mm), N: short solder terminal (L = 4.8 mm), ground: without terminal, fuseholder: solder terminal, color: Black, design: flange with countersunk holes, dimension X: 00, features: holder for 1 fuse (text legible, when inlet on top), not used	4304.6033
1065-X-8808-A-1002	1065, IEC Power Entry Module C18, 70°C, version: 2, L: Blade terminal (4.8 x 0.8 mm), N: Blade terminal (4.8 x 0.8 mm), ground: without terminal, fuseholder: Blade terminal (4.8 x 0.8 mm), color: Black, design: flange with countersunk holes, dimension X: 00, features: holder for 1 fuse (text legible, when inlet on top), not used	4304.6034

The listed variants should be available from stock Other versions on request [www.schurter.com/contact](http://www.schurter.com/contact)

**Packaging unit** 50 Pcs

Accessories

Description



Assorted Covers  
Rear Cover

Mating Outlets/Connectors

Category / Description

[Connector Overview complete](#)



IEC Connector C15, Rewireable, Straight	0101
IEC Connector C15A, Rewireable, Straight	0102
IEC Connector C15A, Rewireable, Straight	0102-G
IEC Connector C15A, Rewireable, Angled	0112
IEC Connector C13, Rewireable, Angled	4012
<a href="#">Connector further types to 1065</a>	...

[Power Cord Overview complete](#)



Power Cord with IEC Connector C17, Angled	0301
Power Cord with IEC Connector C13, Angled	0311
Power Cord with IEC Connector C13, Angled	3011
Power Cord with IEC Connector C13, Angled	3012
Power Cord with IEC Connector C13, Angled	3013
<a href="#">Power Cord further types to 1065</a>	...

[Power Supply or Interconnection Cord Overview complete](#)



Diverse Power Supply and Interconnection Cords 10 A	Cord Sets 10 A
<a href="#">Power Supply or Interconnection Cord further types to 1065</a>	