

**PLEASE CHECK WWW.MOLEX.COM FOR LATEST PART INFORMATION**

**Part Number:** **0751351009**  
**Status:** **Active**  
**Overview:** dms59  
**Description:** 1.27mm (.050") Pitch DMS-59® Cable Plug Subassembly, Shielded

**Documents:**

[3D Model](#)  
[Packaging Specification \(PDF\)](#)  
[Drawing \(PDF\)](#)  
[Product Specification PS-75134-001 \(PDF\)](#)  
[RoHS Certificate of Compliance \(PDF\)](#)

**General**

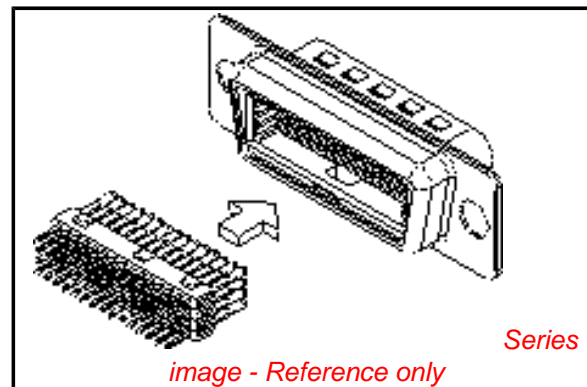
Product Family	I/O Connectors
Series	<u>75135</u>
Application	Wire-to-Board
Comments	Insert-molded plug terminal sticks supplied separately (see 70984-1098 and 70984-1099), Bright Nickel Front Shell Plating
Component Type	Plug, Subassembly
Overview	<u>dms59</u>
Product Name	DMS59®
Type	N/A

**Physical**

Boot Color	N/A
Circuits (Loaded)	N/A
Circuits (maximum)	59
Color - Resin	Natural
Durability (mating cycles max)	500
Gender	Plug
Keying to Mating Part	Yes
Lock to Mating Part	Yes
Material - Metal	Aluminum
Material - Plating Mating	n/a
Material - Resin	High Temperature Thermoplastic
Number of Rows	4
Orientation	Vertical
PCB Locator	No
PCB Retention	None
Packaging Type	Tray
Panel Mount	No
Pitch - Mating Interface (in)	0.050 In
Pitch - Mating Interface (mm)	1.27 mm
Pitch - Term. Interface (in)	0.050 In
Pitch - Term. Interface (mm)	1.27 mm
Polarized to Mating Part	Yes
Ports	1
Surface Mount Compatible (SMC)	Yes
Temperature Range - Operating	-20°C to +85°C
Termination Interface: Style	N/A
Waterproof / Dustproof	No
Wire Size AWG	28, 30, 32, 34, 36

**Electrical**

Current - Maximum per Contact	3A
Grounding to Panel	N/A
Shield Type	Full Shield



**EU RoHS**

**ELV and RoHS  
Compliant**  
**REACH SVHC**  
 Not Reviewed  
**Halogen-Free  
Status**  
**Not Reviewed**

**China RoHS**



**Need more information on product environmental compliance?**

Email [productcompliance@molex.com](mailto:productcompliance@molex.com)  
 For a multiple part number RoHS Certificate of Compliance, [click here](#)

Please visit the [Contact Us](#) section for any non-product compliance questions.

**Search Parts in this Series**

[75135Series](#)

**Mates With**

[75134](#)

**Use With**

[70984 Plug Terminal Sticks](#)

Shielded  
Voltage - Maximum

Yes  
40V AC (RMS)

**Material Info**

**Reference - Drawing Numbers**

Packaging Specification  
Product Specification  
Sales Drawing

PK-70873-0236  
PS-75134-001  
SD-75135-001

This document was generated on 06/01/2010

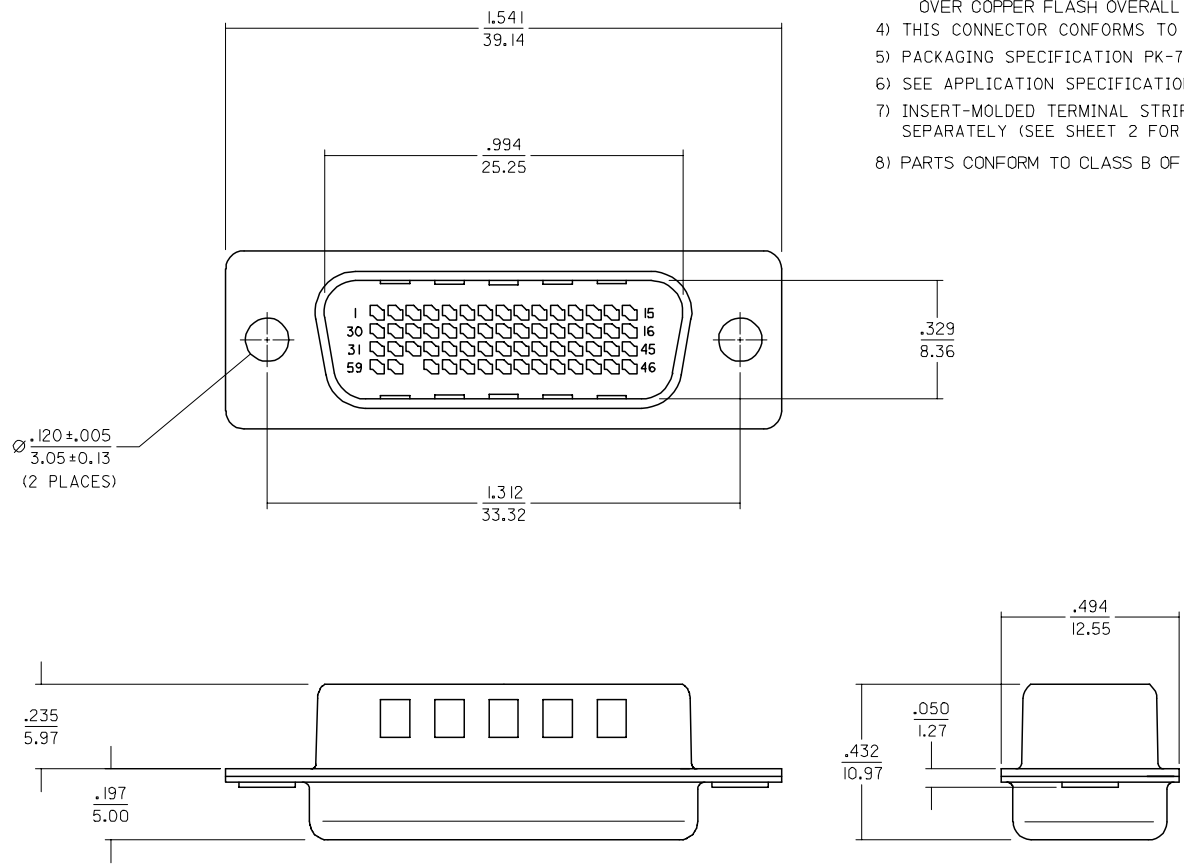
**PLEASE CHECK [WWW.MOLEX.COM](http://WWW.MOLEX.COM) FOR LATEST PART INFORMATION**

13 12 11 10 9 8 7 6 5 4 3 2 1

ITEM NUMBER	PRODUCT DESCRIPTION	FRONT SHELL PLATING
75135-1000	DMS-59 I/O PLUG CONNECTOR	BRIGHT TIN
75135-1009	DMS-59 I/O PLUG CONNECTOR	BRIGHT NICKEL

**NOTES:**

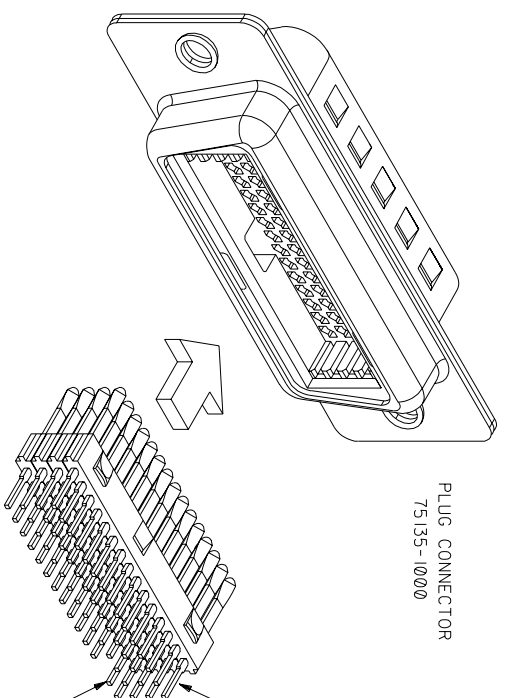
- 1) PLASTIC HOUSING:  
GLASS FILLED LCP (LIQUID CRYSTAL POLYMER), UL94 V-0, COLOR: NATURAL.
- 2) FRONT SHELL:  
DEEP DRAWN STEEL:  
PLATING: SEE TABLE  
BRIGHT TIN: 150-250 MICRONS BRIGHT TIN OVER 50-150 MICRONS NICKEL OVER COPPER FLASH OVERALL (OPTIONAL).  
BRIGHT NICKEL: 100-175 MICRONS BRIGHT NICKEL OVER 50 MICRONS MAXIMUM COPPER OVERALL.
- 3) BACK SHELL:  
DEEP DRAWN STEEL:  
PLATING: 150-250 MICRONS BRIGHT TIN OVER 50-150 MICRONS NICKEL OVER COPPER FLASH OVERALL (OPTIONAL).
- 4) THIS CONNECTOR CONFORMS TO PRODUCT SPECIFICATION PS-75134-001.
- 5) PACKAGING SPECIFICATION PK-70873-0236 APPLIES.
- 6) SEE APPLICATION SPECIFICATION PS-70929 FOR ASSEMBLY AND TERMINATION DETAILS.
- 7) INSERT-MOLDED TERMINAL STRIP ASSEMBLIES ARE SUPPLIED SEPARATELY (SEE SHEET 2 FOR ORDERING INFORMATION).
- 8) PARTS CONFORM TO CLASS B OF COSMETIC SPECIFICATION PS-45499-002.



2	A
1	D
SHT	REV

ADD COSMETIC SPEC FC NO: UCP2007-2622 DRW: DMORGAN 2007/09/13 CHK: MS BARRA 2007/09/13 APPR: SMILLER 2007/09/13 REV:	QUALITY SYMBOLS ▽=0 ▽=0	GENERAL TOLERANCES (UNLESS SPECIFIED) <table border="1"> <thead> <tr> <th></th> <th>mm</th> <th>INCH</th> </tr> </thead> <tbody> <tr> <td>4 PLACES</td> <td>± .10</td> <td>± .004</td> </tr> <tr> <td>3 PLACES</td> <td>± .15</td> <td>± .006</td> </tr> <tr> <td>2 PLACES</td> <td>± .25</td> <td>± .010</td> </tr> <tr> <td>1 PLACE</td> <td>± .38</td> <td>± .015</td> </tr> </tbody> </table> ANGULAR ±1/2°		mm	INCH	4 PLACES	± .10	± .004	3 PLACES	± .15	± .006	2 PLACES	± .25	± .010	1 PLACE	± .38	± .015	DIMENSION STYLE IN/MM DRAWN BY: DMORGAN DATE: 2002/10/17 CHECKED BY: BBARKER DATE: 2002/10/17 APPROVED BY: SMILLER DATE: 2002/10/17 MATERIAL NO.	SCALE: 4:1 DESIGN UNITS: INCH THIRD ANGLE PROJECTION	TITLE: SALES DMS-59 I/O PLUG LFH .050/1.27 PITCH 59 CKT CABLE ASSY MOLEX INCORPORATED DOCUMENT NO. SD-75135-001 SHEET NO. 1 OF 2
		mm	INCH																	
	4 PLACES	± .10	± .004																	
	3 PLACES	± .15	± .006																	
2 PLACES	± .25	± .010																		
1 PLACE	± .38	± .015																		
DRAFT WHERE APPLICABLE MUST REMAIN WITHIN DIMENSIONS		SEE TABLE	THIS DRAWING CONTAINS INFORMATION THAT IS PROPRIETARY TO MOLEX INCORPORATED AND SHOULD NOT BE USED WITHOUT WRITTEN PERMISSION																	
		SIZE: C																		

12 11 10 9 8 7 6 5 4 3 2 1



PLUG CONNECTOR  
75135-1000

70984-10\*\*  
(15 CIRCUIT STICK)  
(3 REQUIRED PER ASSEMBLY)

INSERT MOLDED TERMINAL STICKS  
SUPPLIED SEPARATELY  
SEE SALES DRAWING SDA-70984-100\* FOR 70984-10\*\*  
SEE SALES DRAWING SD-70984-100 FOR 70984-109\*  
NOTE: STICKS SHOWN WITH CARRIER REMOVED

70984-109\*  
(14 CIRCUIT STICK)  
(1 REQUIRED PER ASSEMBLY)

INITIAL RELEASE EC No. UCP2003-0543 DRWN:DMORGAN 02/10/17 CHK: BBARKER 02/10/17 APPR: SMILLER 02/10/17		REV A													
DESCRIPTION		QUALITY SYMBOLS													
<p>MAJOR =</p> <p>CRITICAL C/ =</p>		<p>GENERAL TOLERANCES: (UNLESS SPECIFIED)</p> <table border="1"> <tr> <td>MM</td> <td>INCH</td> </tr> <tr> <td>±0.</td> <td>±.</td> </tr> <tr> <td>±0.10</td> <td>±0.10</td> </tr> <tr> <td>±0.25</td> <td>±0.15</td> </tr> <tr> <td>±0.38</td> <td>±.</td> </tr> <tr> <td colspan="2">ANGULAR: ± 1/2 °</td> </tr> </table>		MM	INCH	±0.	±.	±0.10	±0.10	±0.25	±0.15	±0.38	±.	ANGULAR: ± 1/2 °	
MM	INCH														
±0.	±.														
±0.10	±0.10														
±0.25	±0.15														
±0.38	±.														
ANGULAR: ± 1/2 °															
DRAFT WHERE APPLICABLE MUST REMAIN WITHIN DIMENSIONS		SCALE: <input type="checkbox"/> MM <input checked="" type="checkbox"/> INCH													
DESIGN BY & DATE DMORGAN 02/10/17		DRAWN BY & DATE DMORGAN 02/10/17													
CHECKED BY & DATE BBARKER 02/10/17		APPROVED BY & DATE SMILLER 02/10/17													
CAD FILENAME		MATERIAL NO. MOLEX INCORPORATED													
TITLE: SALES DMS-59 1/0 PLUG LFH .050/1.27 PITCH 59 CKT CABLE ASSY		DRAWING NO. SD-75135-001													
THIS DRAWING CONTAINS INFORMATION THAT IS PROPRIETARY TO MOLEX INCORPORATED AND SHOULD NOT BE USED WITHOUT WRITTEN PERMISSION.		SHEET NO. 2													
SEE CHART		REVISE ON CAD ONLY													
SIZE C		SHT REV													