

PLEASE CHECK WWW.MOLEX.COM FOR LATEST PART INFORMATION

Part Number: [0510520500](#)
Status: **Active**
Description: 2.50mm (.098") Pitch Cable Holder, Vertical, for Ribbon Cable, 5 Circuits

Documents:

[3D Model](#) [Product Specification PS-51052-002 \(PDF\)](#)
[Drawing \(PDF\)](#) [RoHS Certificate of Compliance \(PDF\)](#)
[Product Specification PS-51052-001 \(PDF\)](#)

General

Product Family Ribbon Cable / Wire Trap Connectors
 Series [51052](#)
 Component Type One Piece
 Glow-Wire Compliant No
 Product Name Board-In, Cable Holder

Physical

Circuits (Loaded) 5
 Color - Resin Natural
 Entry Angle Vertical
 Lock to Mating Part None
 Material - Resin Nylon
 Number of Rows 1
 PCB Retention Yes
 PCB Thickness Recommended (in) 0.062 In
 PCB Thickness Recommended (mm) 1.60 mm
 Packaging Type Bag
 Pitch - Mating Interface (in) 0.098 In
 Pitch - Mating Interface (mm) 2.50 mm
 Polarized to Mating Part N/A
 Polarized to PCB No
 Stackable No
 Surface Mount Compatible (SMC) No
 Temperature Range - Operating -40°C to +105°C
 Wire Insulation Diameter 1.70mm (.067") max.
 Wire Size AWG 24, 26
 Wire/Cable Type Ribbon Cable

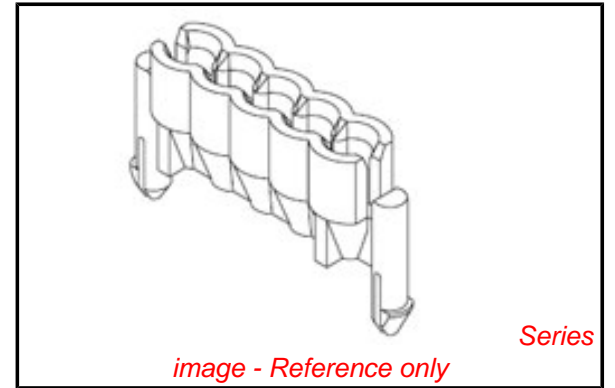
Electrical

Current - Maximum per Contact N/A
 Voltage - Maximum N/A

Material Info

Reference - Drawing Numbers

Product Specification PS-51052-001, PS-51052-002, RPS-51052-003
 Sales Drawing SD-51052-001



EU RoHS

**ELV and RoHS
Compliant**
REACH SVHC
 Not Reviewed
**Halogen-Free
Status**
Not Reviewed

China RoHS



**Need more information on product
environmental compliance?**

Email productcompliance@molex.com
 For a multiple part number RoHS Certificate of
 Compliance, [click here](#)

Please visit the [Contact Us](#) section for any
 non-product compliance questions.

Search Parts in this Series

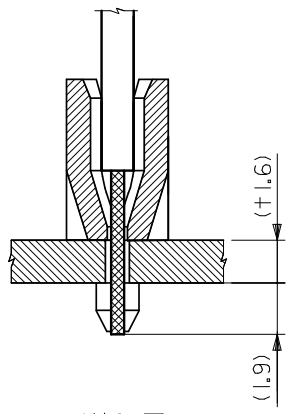
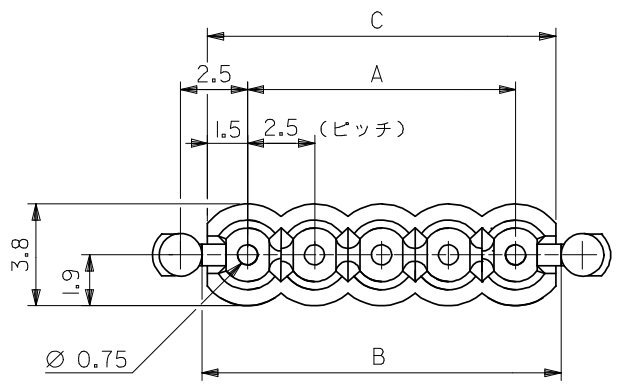
[51052Series](#)

Mates With

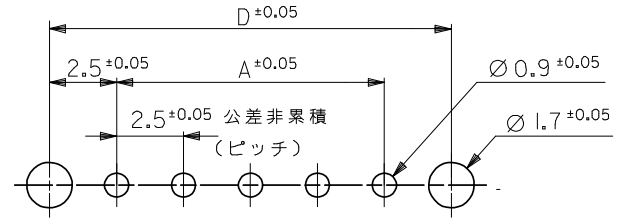
N/A

Use With

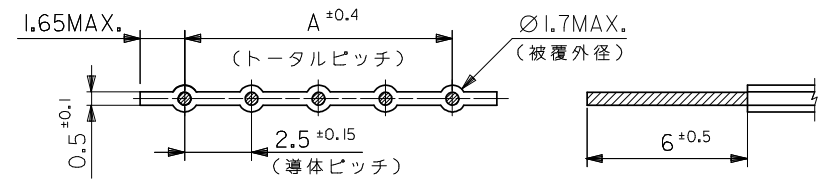
Topcoated ribbon cable



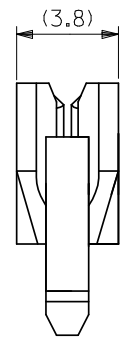
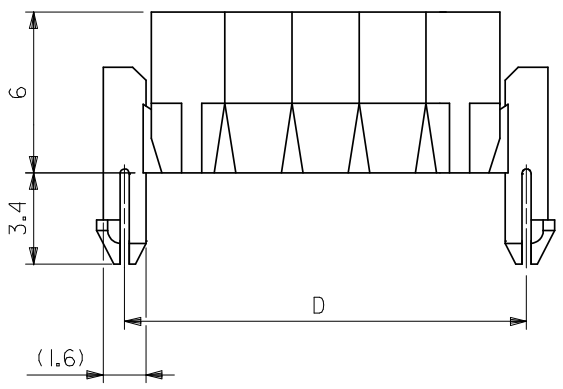
電線挿入図



基板取付穴推奨寸法
(+1.6±0.05)



適合電線推奨寸法

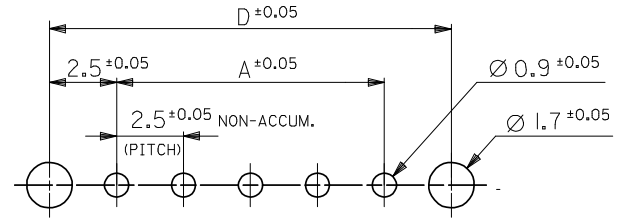
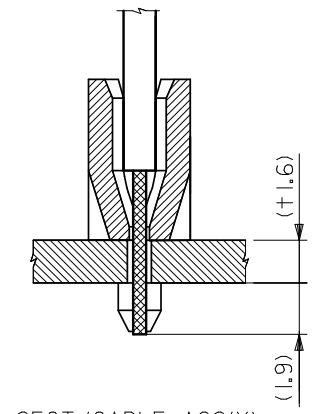
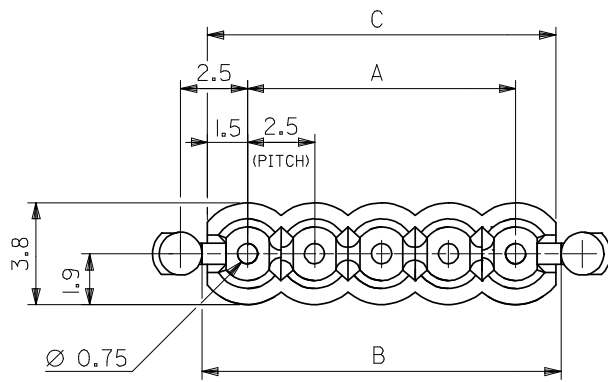


注記

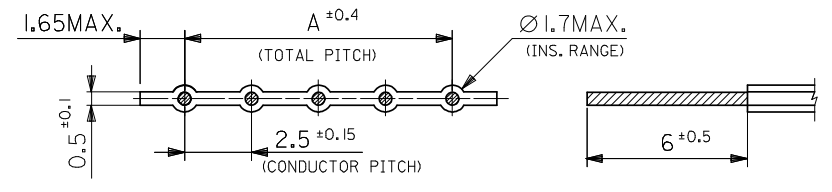
1. 材料：ナイロン66, UL 94V-2
2. 適合電線：2.5mmピッチリボンケーブル
AWG #24 ~ 26 錫コート平行線
3. 生産国 (トレードマーク)：日本 (MXJ-大和, MXH-塩谷)
マレーシア (MXL)

42.5	40.5	40.9	37.5	VO	51052-1600	16
40.0	38.0	38.4	35.0	VO	1500	15
37.5	35.5	35.9	32.5	VO	1400	14
35.0	33.0	33.4	30.0	VO	1300	13
32.5	30.5	30.9	27.5	VO	1200	12
30.0	28.0	28.4	25.0	VO	1100	11
27.5	25.5	25.9	22.5	VO	1000	10
25.0	23.0	23.4	20.0	VO	0900	9
22.5	20.5	20.9	17.5	VO	0800	8
20.0	18.0	18.4	15.0	VO	0700	7
17.5	15.5	15.9	12.5	VO	0600	6
15.0	13.0	13.4	10.0	VO	0500	5
12.5	10.5	10.9	7.5	VO	0400	4
10.0	8.0	8.4	5.0		-0300	3
7.5	5.5	5.9	2.5	VO	51052-0200	2
D	C	B	A		ENG. NO.	極数

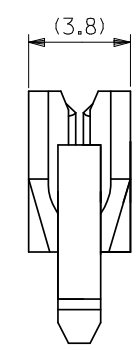
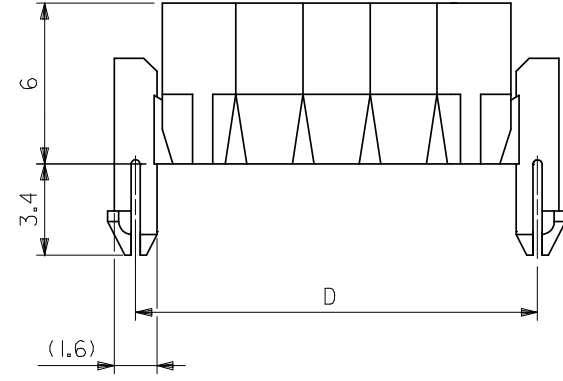
REVISED EC NO: J2008-2948 DRW: NAKAMURAA 2008/03/31 CHK: T. HARUYAMA 2008/04/22 APPR: NUKITA 2008/06/03	GENERAL TOLERANCES (UNLESS SPECIFIED)		DIMENSION STYLE MM ONLY		SCALE 5:1	DESIGN UNITS METRIC	THIRD ANGLE PROJECTION
	10 UNDER	±0.2	DRAWN BY T. ITOH		TITLE 2.5MM PITCH CABLE HOLDER (FOR 6 MM STRIP LENGTH)		
	10 OVER 30 UNDER	±0.25	CHECKED BY M. FUKUSHIMA		DATE '97/7/4		
	30 OVER	±0.3	APPROVED BY M. FUKUSHIMA		DATE '97/7/4		
	ANGULAR	±3°	MATERIAL NO.		DOCUMENT NO.		SHEET NO.
DRAFT WHERE APPLICABLE MUST REMAIN WITHIN DIMENSIONS		SEE TABLE		SD-51052-001		1 OF 2	
THIS DRAWING CONTAINS INFORMATION THAT IS PROPRIETARY TO MOLEX INCORPORATED AND SHOULD NOT BE USED WITHOUT WRITTEN PERMISSION							



RECOMMENDED P.C. BOARD HOLE DIM.
(+1.6±0.05)



RECOMMENDED WIRE DIM.



NOTES

- MATERIAL : NYLON 66, UL 94V-2
- APPLIED WIRE : 2.5mm PITCH RIBBON CABLE
AWG#24~26
TIN TOP COATED WIRE
- PLACE OF MANUFACTURE (TRADE-MARK) :
JAPAN (MXJ-YAMATO, MXH-SHIOYA)
MALAYSIA (MXL)

42.5	40.5	40.9	37.5	VO	51052-1600	16
40.0	38.0	38.4	35.0	VO	1500	15
37.5	35.5	35.9	32.5	VO	1400	14
35.0	33.0	33.4	30.0	VO	1300	13
32.5	30.5	30.9	27.5	VO	1200	12
30.0	28.0	28.4	25.0	VO	1100	11
27.5	25.5	25.9	22.5	VO	1000	10
25.0	23.0	23.4	20.0	VO	0900	9
22.5	20.5	20.9	17.5	VO	0800	8
20.0	18.0	18.4	15.0	VO	0700	7
17.5	15.5	15.9	12.5	VO	0600	6
15.0	13.0	13.4	10.0	VO	0500	5
12.5	10.5	10.9	7.5	VO	0400	4
10.0	8.0	8.4	5.0		-0300	3
7.5	5.5	5.9	2.5	VO	51052-0200	2
D	C	B	A		ENG. NO.	CKT.

REVISED EC NO: J2008-2948 DRW: NAKAMURAA 2008/03/31 CHKD: T. HARUYAMA 2008/04/22 APPR: NUKITA 2008/06/03	GENERAL TOLERANCES (UNLESS SPECIFIED)		DIMENSION STYLE MM ONLY		SCALE 5:1	DESIGN UNITS METRIC	THIRD ANGLE PROJECTION	
	10 UNDER	±0.2	DRAWN BY T. ITOH		TITLE 2.5MM PITCH CABLE HOLDER (FOR 6MM STRIP LENGTH)			
	10 OVER 30 UNDER	±0.25	CHECKED BY M. FUKUSHIMA		DATE '97/7/4			
	30 OVER	±0.3	APPROVED BY M. FUKUSHIMA		DATE '97/7/4			
	ANGULAR ±3°		DRAFT WHERE APPLICABLE MUST REMAIN WITHIN DIMENSIONS		MATERIAL NO. SEE TABLE		DOCUMENT NO. SD-51052-001	