



APD module integrated with peripheral circuits

Features

- **Uses a high sensitivity APD**
Two types of APDs with different photosensitive areas ($\phi 1.5$ mm, $\phi 3.0$ mm) are provided.
- **On-board high sensitivity circuit optimized for APD evaluation.** An APD and a low-noise current-to-voltage amplifier circuit are mounted on a compact PC board. The current-to-voltage amplifier circuit features a low-noise configuration allowing low-light-level detection.
- **Detects optical signals from fixed light (DC light)**
The C12703 detects optical signals from fixed light (DC light) to 10 MHz pulsed light making it well suited for bar code readers and film scanners. The C12703-01 covers a narrower bandwidth from fixed light (DC light) to 100 kHz pulsed light, but provides an excellent NEP of 20 fW/Hz^{1/2}, in the room temperature, making it suitable for fluorescence measurement and particle counters where low-light-level detection is essential.
- **Built-in temperature-compensated bias power supply.** The bias power supply is controlled with a thermosensor to keep the APD gain constant. Gain variations are typically held within $\pm 2.5\%$ at an ambient temperature of 25 ± 10 °C. Ripple noise usually inherent to high-voltage power supplies is also minimized.
- **Compact and lightweight**
The board is no larger than a typical business card.
- **Low price**
- **Custom designed module with different dimensions and specifications are available.**

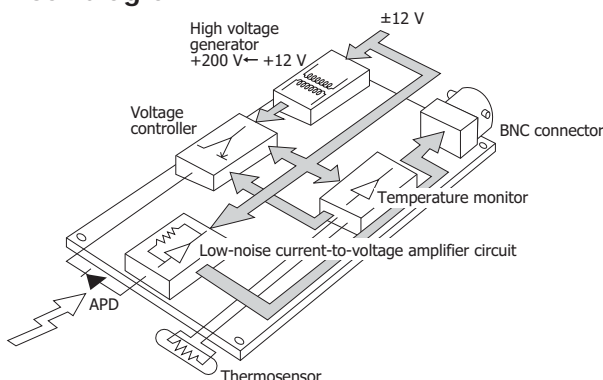
Applications

- Evaluation of APD
- Fluorescence measurement
- Bar code readers
- Particle counters
- Film scanners

Selection guide

Type no.	Photosensitive area (mm)	Photosensitivity (V/W)	Frequency bandwidth (Hz)
C12703	$\phi 1.5$	1.5×10^6	DC to 10 M
C12703-01	$\phi 3.0$	-1.5×10^8	DC to 100 k

Block diagram



Structure / Absolute maximum ratings (Ta=25 °C)

Type no.	Condition	Power supply Vs (V)						Current dissipation ±12 V (mA)			Board dimensions (mm)	Weight (g)	Absolute maximum ratings				
		Min.			Typ.			Max.					Positive supply voltage Vp (V)	Negative supply voltage Vn (V)	Maximum incident light level (mW)	Operating temperature Topr (°C)	Storage temperature Tstg (°C)
		Min.	Typ.	Max.	Min.	Typ.	Max.	Min.	Typ.	Max.							
C12703	+12 V	+11.4	+12	+12.6	-	+30	+45	80 × 50 × 22	38	+16	-16	10	0 to +60	-20 to +70			
	-12 V	-11.4	-12	-12.6	-	-11	-16										
C12703-01	+12 V	+11.4	+12	+12.6	-	+35	+45	80 × 50 × 22	38	+16	-16	10	0 to +60	-20 to +70			
	-12 V	-11.4	-12	-12.6	-	-11	-16										

Electrical and optical characteristics (Typ. Ta=25 °C, Vcc=± 12 V, unless otherwise noted)

Photoelectric section (APD)

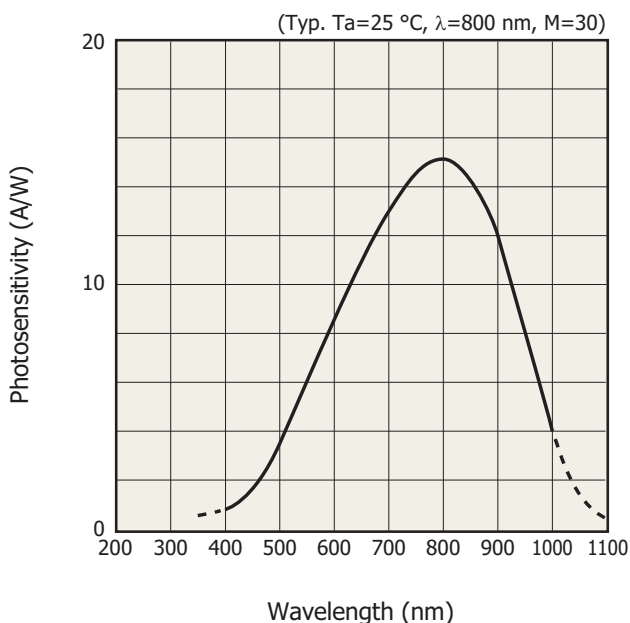
Type no.	Spectral response range λ (nm)	Peak sensitivity wavelength λp (nm)	Photosensitivity S λ=800 nm, Gain(M)=1 (A/W)	Temperature stability of gain*1 25 °C ± 10 °C, M=30 (%)	
				Typ.	Max.
C12703	400 to 1000	800	0.5	±2.5	±5
C12703-01				±2.5	±5

High-speed amplifier section

Type no.	Cutoff frequency fc -3 dB (Hz)						Noise equivalent power NEP f=10 MHz (C12703) f=100 kHz (C12703-01) λ=800 nm (pW/Hz ^{1/2})F			Feed-back resistance (Ω)	Photoelectric sensitivity*1 Including APD λ=800 nm M=30 (V/W)			Maximum input light level (μW)			Minimum detection limit (nW rms)		
	High band			Low band			Min.	Typ.	Max.		Min.	Typ.	Max.	Min.	Typ.	Max.	Min.	Typ.	Max.
	Min.	Typ.	Max.	Min.	Typ.	Max.													
C12703	9 M	10 M	-	-	DC	-	-	0.2	0.4	10 k	1.4 × 10 ⁶	1.5 × 10 ⁶	1.6 × 10 ⁶	5.0	6.0	-	-	0.63	1.26
C12703-01	80 k	100 k	-	-	DC	-	-	0.02	0.04	10 M	-1.4 × 10 ⁸	-1.5 × 10 ⁸	-1.6 × 10 ⁸	0.05	0.06	-	-	0.0063	0.013

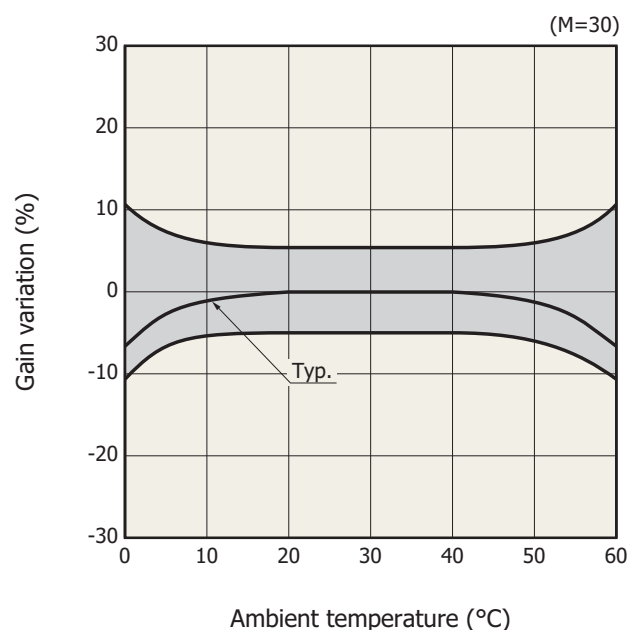
*1: Gain is set to 30 at the factory prior to shipping.

Spectral response



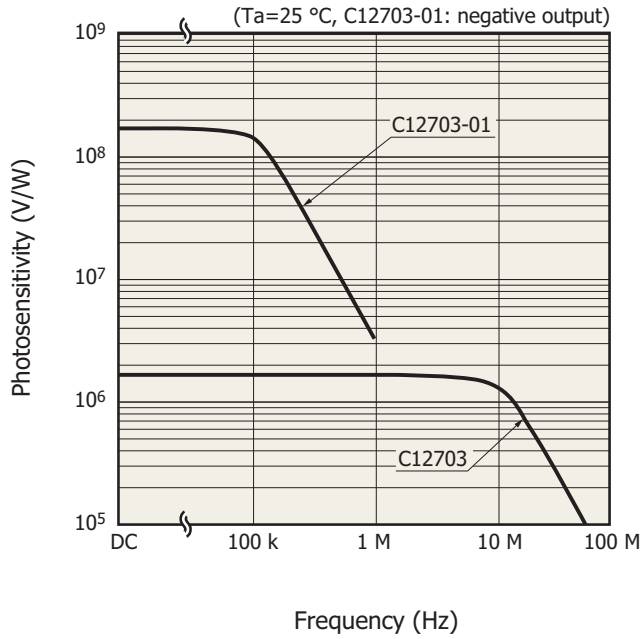
KACCB0013EA

Gain temperature characteristics



KACCB0020EB

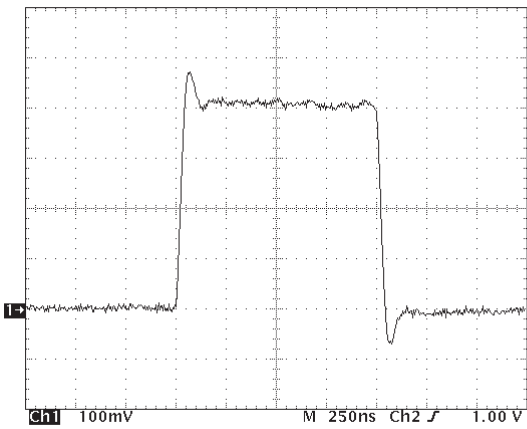
Frequency response



KACCB0339EA

Response to stepped light input

C12703

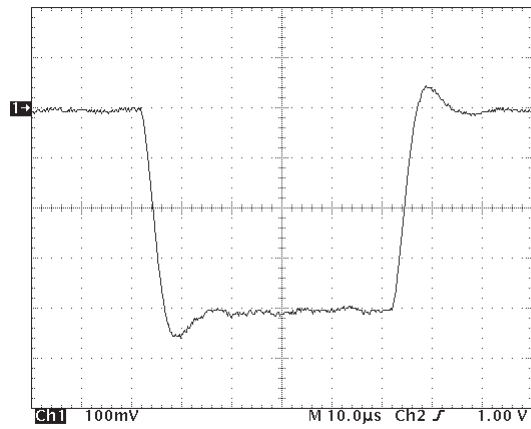


C1 Rise
33.0ns

C1 Fall
34.5ns

Ta=25 °C, gain=30, input pulse width=1 μs
X-axis: 250 ns/div., Y-axis: 100 mV/div.

C12703-01

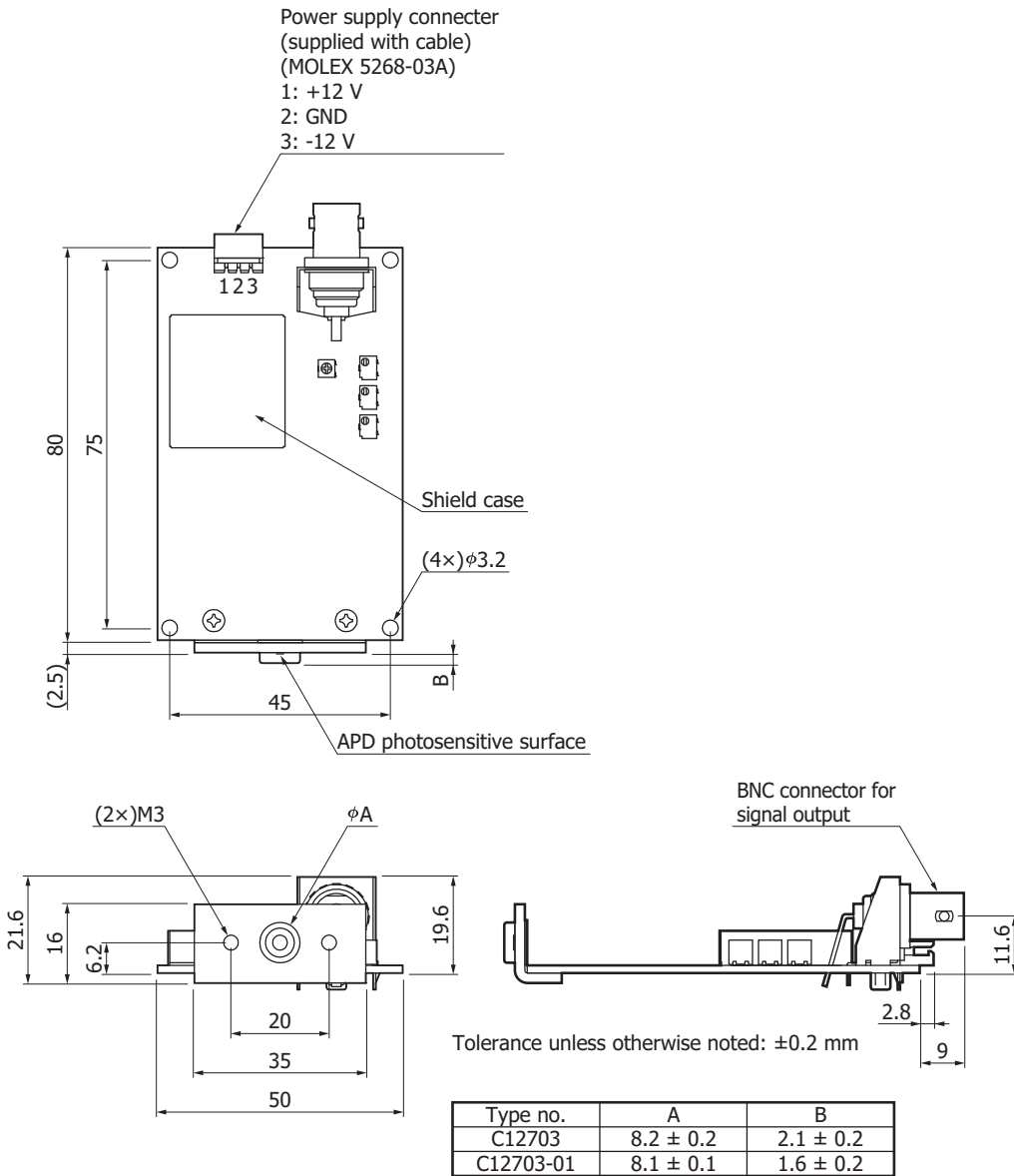


C1 Fall
3.40μs

C1 Rise
3.45μs

Ta=25 °C, gain=30, input pulse width=50 μs
X-axis: 10 μs/div., Y-axis: 100 mV/div.

Dimensional outline (unit: mm)



KACCA0323EA

Accessories

- Power supply cable
- Instruction manual

Option (sold separately)

Attachment adapters for FC and SMA connectors

APD module	FC adapter	SMA adapter
C12703	A8407-05	A8424-05
C12703-01	A8407-05A	A8424-05A

⚠ Precaution

- (1) This product incorporates a high-voltage power supply. To prevent electrical hazards, do not remove the mold material.
- (2) Recommended termination resistance for this module is from 10 k Ω to 1 M Ω .
Terminating with a low-resistance resistor such as 50 Ω affects the output drive capacity, and may cause poor linearity.

⚠ Related information

www.hamamatsu.com/sp/ssd/doc_en.html

■ Precautions

- Notice

Information described in this material is current as of December, 2013.

Product specifications are subject to change without prior notice due to improvements or other reasons. This document has been carefully prepared and the information contained is believed to be accurate. In rare cases, however, there may be inaccuracies such as text errors. Before using these products, always contact us for the delivery specification sheet to check the latest specifications.

Type numbers of products listed in the delivery specification sheets or supplied as samples may have a suffix "(X)" which means preliminary specifications or a suffix "(Z)" which means developmental specifications.

The product warranty is valid for one year after delivery and is limited to product repair or replacement for defects discovered and reported to us within that one year period. However, even if within the warranty period we accept absolutely no liability for any loss caused by natural disasters or improper product use.

Copying or reprinting the contents described in this material in whole or in part is prohibited without our prior permission.

HAMAMATSU

www.hamamatsu.com

HAMAMATSU PHOTONICS K.K., Solid State Division

1126-1 Ichino-cho, Higashi-ku, Hamamatsu City, 435-8558 Japan, Telephone: (81) 53-434-3311, Fax: (81) 53-434-5184

U.S.A.: Hamamatsu Corporation: 360 Foothill Road, P.O.Box 6910, Bridgewater, N.J. 08807-0910, U.S.A., Telephone: (1) 908-231-0960, Fax: (1) 908-231-1218

Germany: Hamamatsu Photonics Deutschland GmbH: Arzbergerstr. 10, D-82211 Herrsching am Ammersee, Germany, Telephone: (49) 8152-375-0, Fax: (49) 8152-265-8

France: Hamamatsu Photonics France S.A.R.L.: 19, Rue du Saule Trapu, Parc du Moulin de Massy, 91882 Massy Cedex, France, Telephone: 33-(1) 69 53 71 00, Fax: 33-(1) 69 53 71 10

United Kingdom: Hamamatsu Photonics UK Limited: 2 Howard Court, 10 Tewin Road, Welwyn Garden City, Hertfordshire AL7 1BW, United Kingdom, Telephone: (44) 1707-294888, Fax: (44) 1707-325777

North Europe: Hamamatsu Photonics Norden AB: Thorshamnsgatan 35 16440 Kista, Sweden, Telephone: (46) 8-509-031-00, Fax: (46) 8-509-031-01

Italy: Hamamatsu Photonics Italia S.R.L.: Strada della Moia, 1 int. 6, 20020 Arese, (Milano), Italy, Telephone: (39) 02-935-81-733, Fax: (39) 02-935-81-741

China: Hamamatsu Photonics (China) Co., Ltd.: 1201 Tower B, Jiaming Center, No.27 Dongsanhuan Beilu, Chaoyang District, Beijing 100020, China, Telephone: (86) 10-6586-6006, Fax: (86) 10-6586-2866