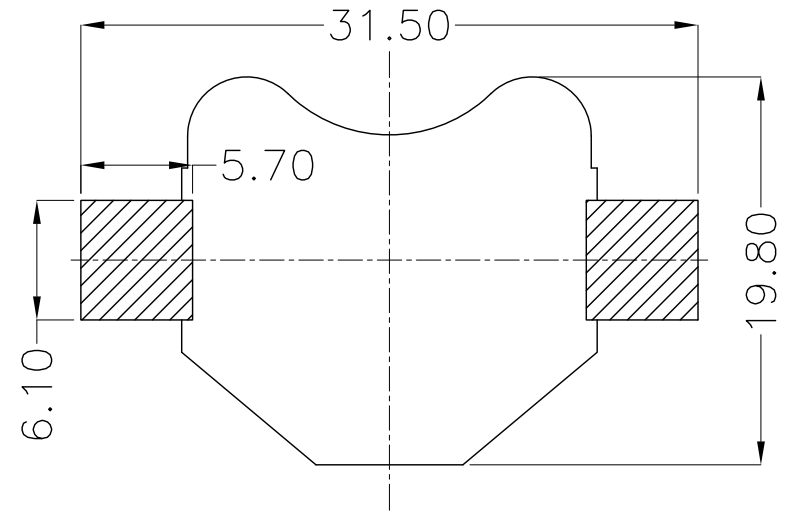
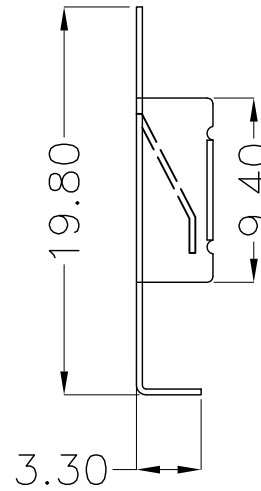
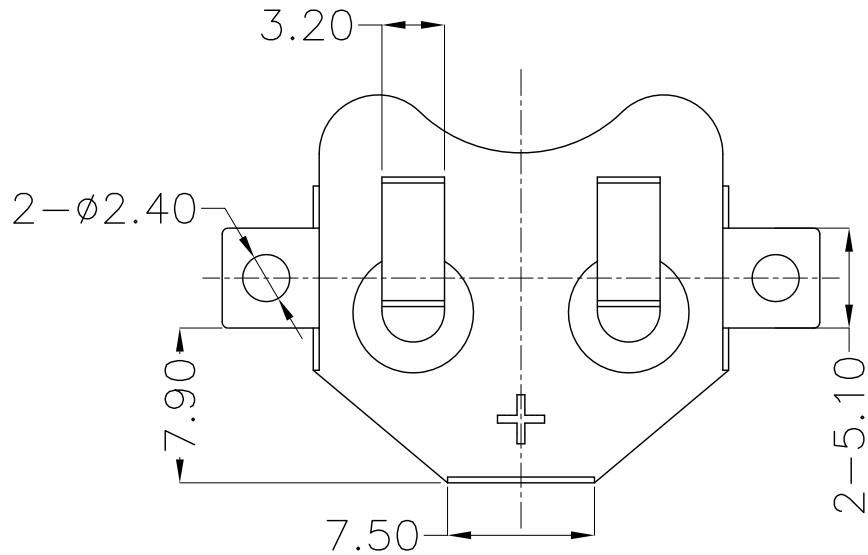


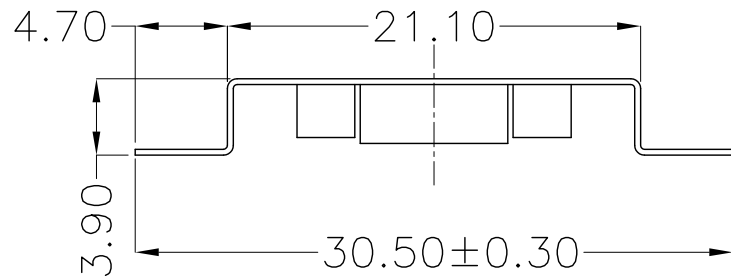


A型

REV.	ECN NO.	REVISED	DATE



PCB Layout Diagram
Top View



工程部
2020-02-03
LQ. HUANG

UNLESS OTHERWISE SPECIFIED TOLERANCES		MYOUNG 美阳 www.meiyangdz.com	
DECIMALS: X :±0.30 X.X :±0.25 X.XX :±0.20 X.XXX :±0.10	ANGLES: X :±1° X.X :±0.5°	DSND YangFeng	DATE 2020-02-03
		CHKD ZhouRuicai	DATE 2020-02-03
		APVD XueShun Yong	DATE 2020-02-03
WEIGHT: 1.02g		SCALE: 2.5:1	SIZE: A4
SHEET 1 OF 1		UNIT: mm	REV.: A/0
		VIEW:	OBJECT: MY
		TITLE: 电池扣CR2032-W	
		PART NO.: MY-2032-04	
		DRAW NO.: MY-CP-0157	

1	TERMINAL(+)	1	PHOSPHOR BRONZE, T=0.30mm	Ni-Plating
NO.	PART NAME	Q'TY	MATERIAL	PLATING & COLOR