

## Features

### LED DRIVER

- 20W Class II AC-DC LED Power Supply
- 2x 350mA Independent Constant Current Outputs or 1x 700mA Output (Jumper selectable)
- 1-10V or Rheostat Dimmable (10%~100%)
- Universal AC Input
- Active Power Factor Correction >0.95
- Fused Input, Protected Outputs
- 3kVAC Isolation
- CE Marked, UL Pending
- Low Cost
- Long 5 Year Warranty

### Description

A compact 20W constant current switching power module suitable for driving either two independent strings of 1~10 high power 350mA LEDs or a single string of 1~10 high power 700mA LEDs (mode selection is via a jumper under the output cover plate). When used in 350mA mode, the two outputs are independently regulated and can be used with asymmetric LED loads. The output current can be dimmed using either an external 150kOhm rheostat or via a 1-10V external voltage. Active power factor correction is standard. Connections are via screw terminals and the AC input feature loop-through connections to allow daisy-chaining of the converters.

### Selection Guide

Part Number	Input Voltage Range (Nominal VAC)	Input Current at full load (mA)	Output Voltage Range (VDC)	Output Current (mA)	Max # LEDs
RACD20-350D (700mA single output mode)	230VAC	260	2x (3-34) 3-34	2x (35~350) 70~700	2x (10 x 1W) 10 x 2W
RACD20-350D-US (700mA single output mode)	110VAC	510	2x (3-34) 3-34	2x (35~350) 70~700	2x (10 x 1W) 10 x 2W

### Specifications (typical at 25°C and after warm up time unless otherwise specified )

Input Voltage Range	230VAC	200-264VAC
	110VAC	90-130VAC
Rated Power		20 Watts max.
Input Frequency Range		47-63 Hz
Power Factor	Full Load, 115VAC/230VAC	0.95
Output Voltage Range	350mA Dual Output Mode	3-34VDC + 3-34VDC
	700mA Single Output Mode	3-34VDC
Inrush Current (<2mS)	115VAC/230VAC	10A max.
Input Current	230VAC, Full Load	260mA typ.
Leakage Current	115VAC/240VAC - 60/50Hz	0.5mA typ.
Input Fuse	115VAC/230VAC	T2A/T1A
Output Current Accuracy	(combined Tolerance, load Regulation and Line Regulation)	±10%
Minimum Load	Open Circuit Protected	1 LED
Output Ripple		150mA max.
Hold Up Time		18ms min.
Operating Frequency		40 - 100 kHz typ.
Efficiency at Full Load	230VAC	>80%
RMS Isolation Voltage (input to output)		3kVAC / 1 minute
Temperature Coefficient		±0.02%/°C typ.
Overload Protection		120% typ.
Short Circuit Protection		Continuous Current Limit
Dimming Control	Rheostat (10%~100%)	0-150kOhm
	External Voltage (10%-100%)	1-10VDC

continued on next page

## LIGHTLINE

AC/DC-Converter

with 5 year Warranty

RECOM

## 20 Watt PFC Single/Dual Dimmable



UL-8750 Pending  
EN 61347 Certified

# RACD20-D


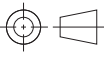
Please Read Application Notes

### Specifications cont. (typical at 25°C and after warm up time unless otherwise specified)

Overtemperature Protection	Shutdown, Automatic restart after cooling down	
Operating Temperature Range (free air convection)	Ambient Temperature	-20°C to +40°C
	Case Temp.	85°C max.
Weight	140g	
Packing Quantity	1pc	
Storage Temperature Range	-40°C to +100°C	
Humidity	95% RH max.	
IP Rating	IP20, Indoor Use Only	
PCB Material	Plastic Resin with Fibreglass (UL94V-0)	
Case Material	Plastic	
Designed to meet Standards	Electrical Lighting, EMC Emissions Limits for Harmonics Emissions EMC Compatibility: Flicker and Voltage Variations Electrical Lighting: EMC Immunity Class II Power Supply Safety FCC	EN55015:2006 + A1: 2007 + A2:2009 EN 61000-3-2:2006 EN 61000-3-3:2006 EN 61547:1995 + A1:2000 UL1310 FCC18A
THD	<20%	
Certifications	LED Lighting Safety SEMKO CE Certification, General Safety SEMKO CE Certification, Safety of AC supplied Control Gear for LED Modules	designed to meet UL8750 EN 61347-1: 2008 EN 61347-2-13: 2006
Design Lifetime	25°C ambient	>70 x 10 <sup>3</sup> hours in operation
Connections	AC Input AC Output (loop through) LED Outputs	Screw terminal Screw terminal Screw Terminal*

\* Do not connect or disconnect the LED load while the converter is on. This may damage the LED or reduce its life.

### Package Style and Pinning

Mode Select S1  3rd angle projection 

350mA + 700mA  
350mA

155

42

50

144

3.5mm dia.

21

2 Mounting screws are included

Tc=Case Temperature Measurement Point

Connections	Function
<b>CN1</b>	<b>Function</b>
L (loophthrough)	VAC out (L)
N (loophthrough)	VAC out (N)
<b>CN2</b>	<b>Function</b>
L	VAC in (L)
N	VAC in (N)
<b>S1</b>	<b>Function</b>
1+2	350mA Mode
2+3	700mA Mode
<b>CN3</b>	<b>Function</b>
-	common
+	1-10V or 150k
<b>CN4</b>	<b>Function</b>
Ch1 -	350mA LED+
Ch1 +	350mA LED-
<b>CN5</b>	<b>Function</b>
Ch2 +	350mA/700mA LED+
Ch2 -	350mA/700mA LED-

Tolerance  
XX = +/-1mm  
XX.X = +/-0.5mm