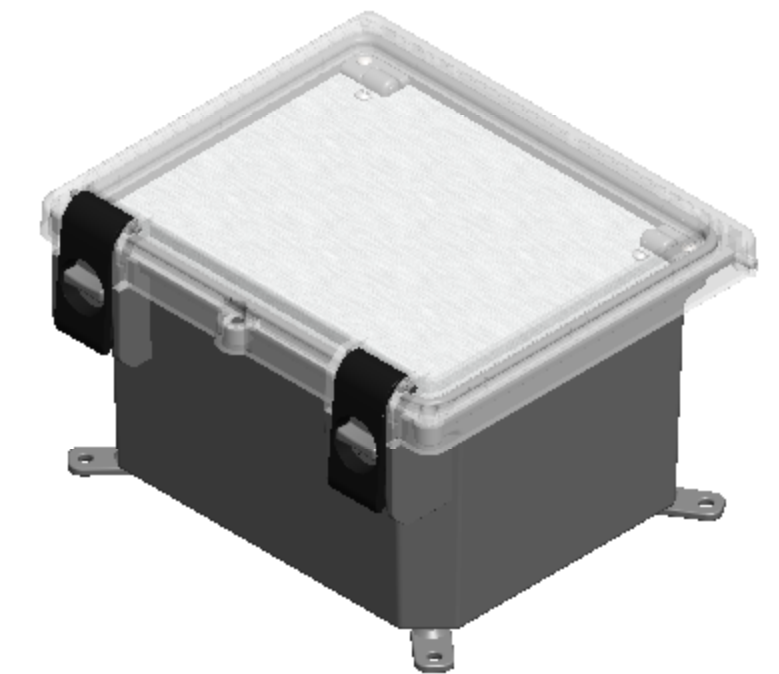
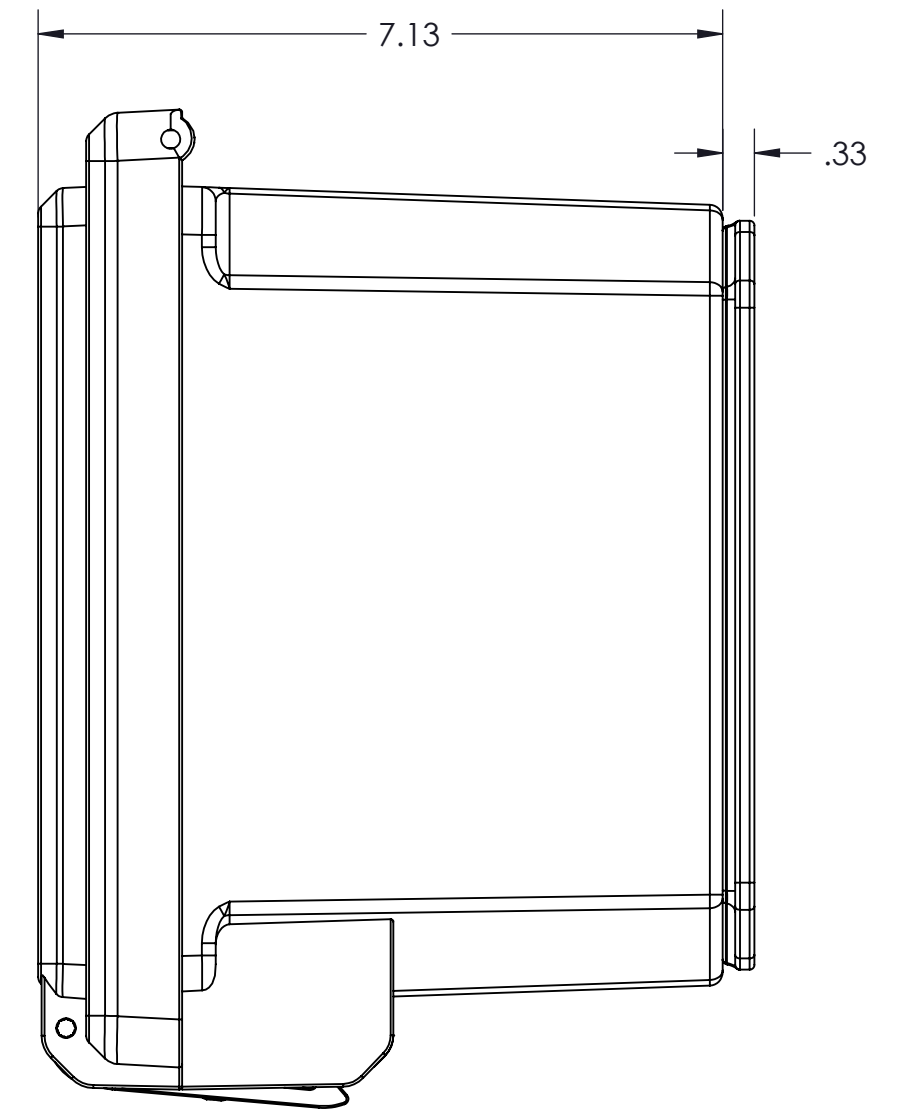
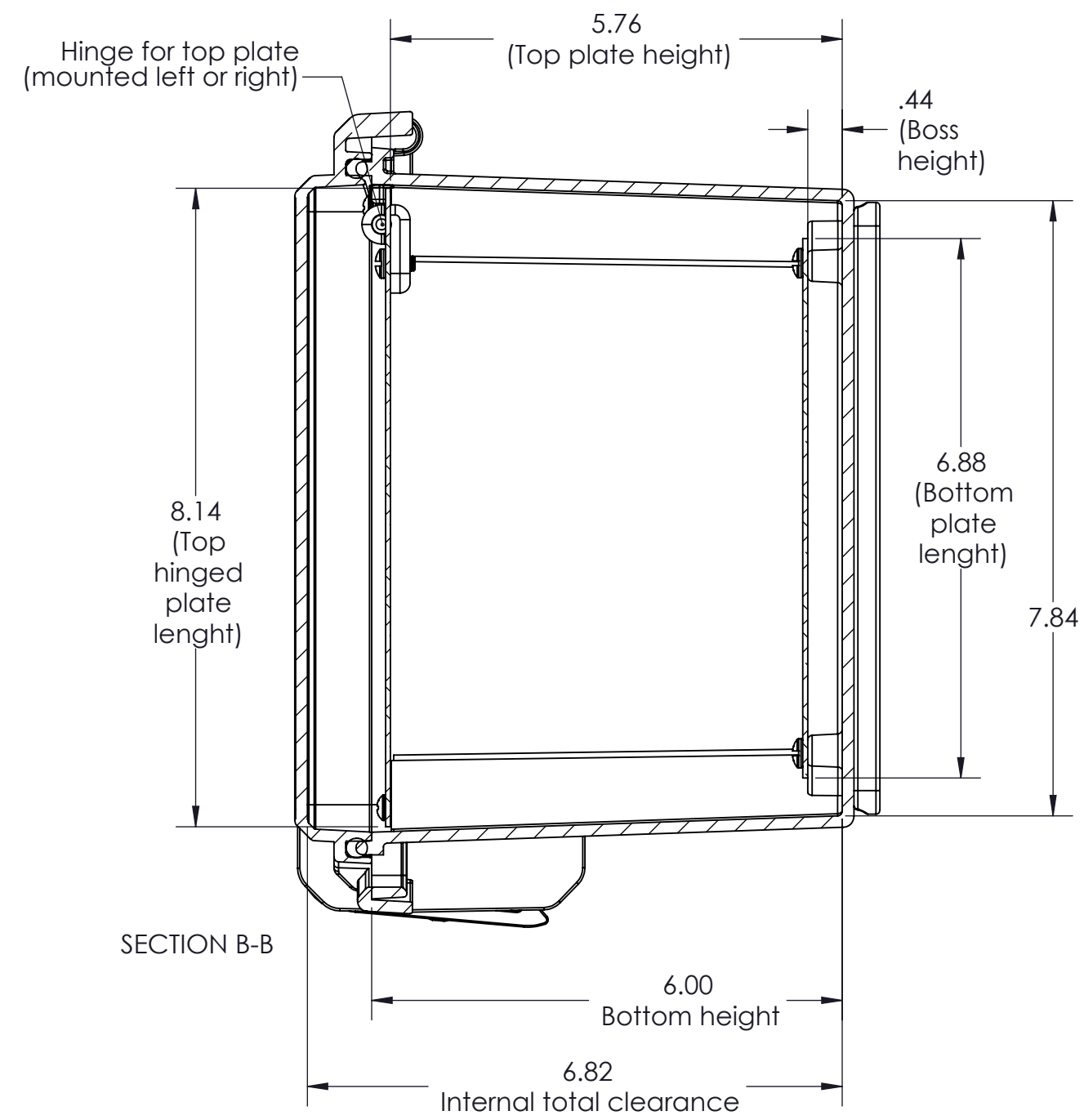
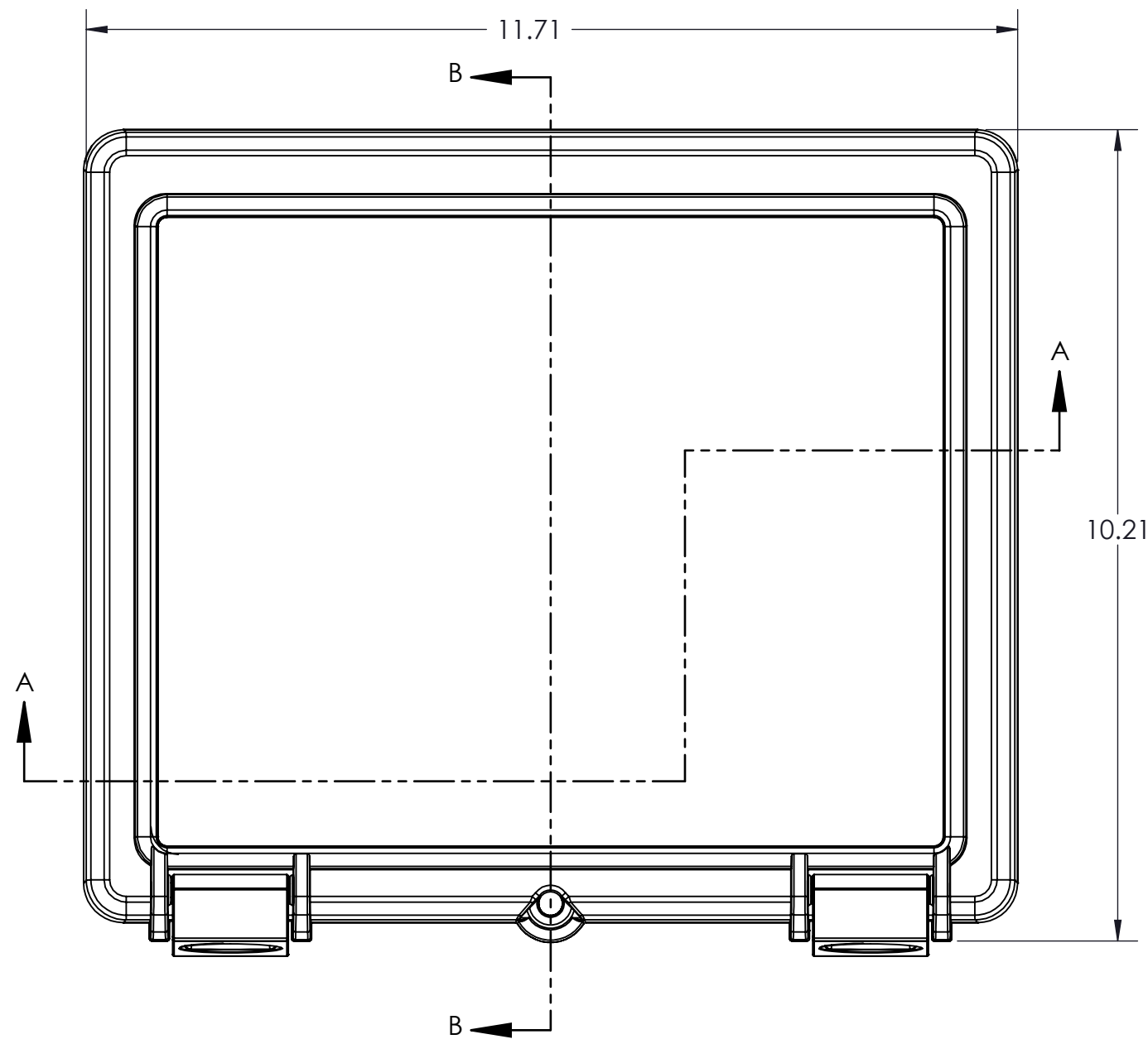


SERPAC I352HL

Electronic Enclosures



325HL with bottom rotating feet (4 included)

- Material: UV stabilized Polycarbonate
- Flammability UL 94 V-0
- Watertight enclosure meets or exceeds Nema 4 and or IP67.

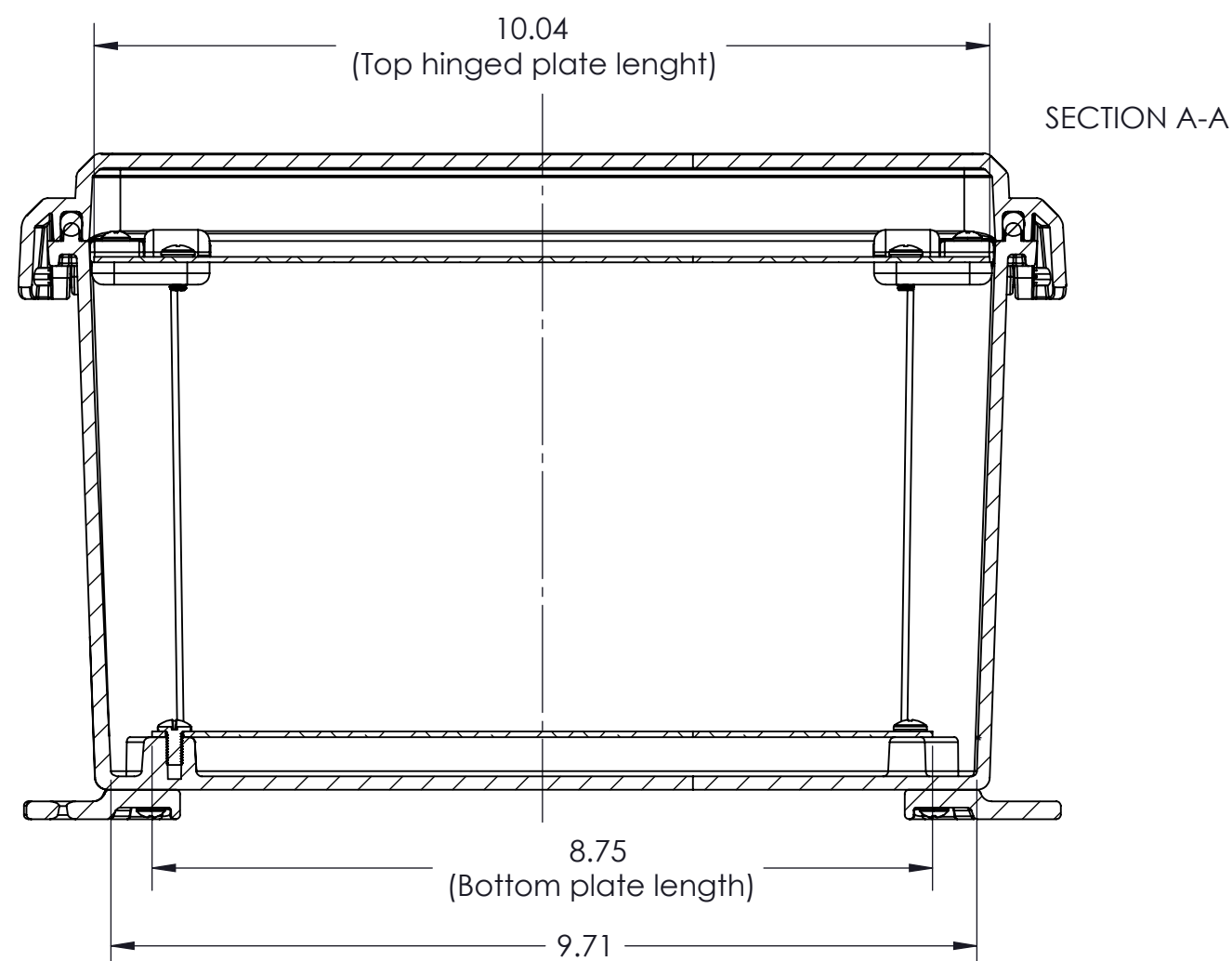
PARTS INCLUDED

P/N	Qty.	Description
352 HLT	1	352 HL Top
350 HLB	1	350 HL Bottom
8300	1	300 O-ring
1304	2	Hinge pin
7011	2	710 / 720 /920 Safty Latch
7036	2	Latch pin
1305	2	350 Flange
1306	4	350 Feet
1307	2	350 Panel hinge pin
1308	1	350 Panel hinge A
1309	1	350 Panel hinge B
6028	4	SS #10 X 5/8" Pan H/L

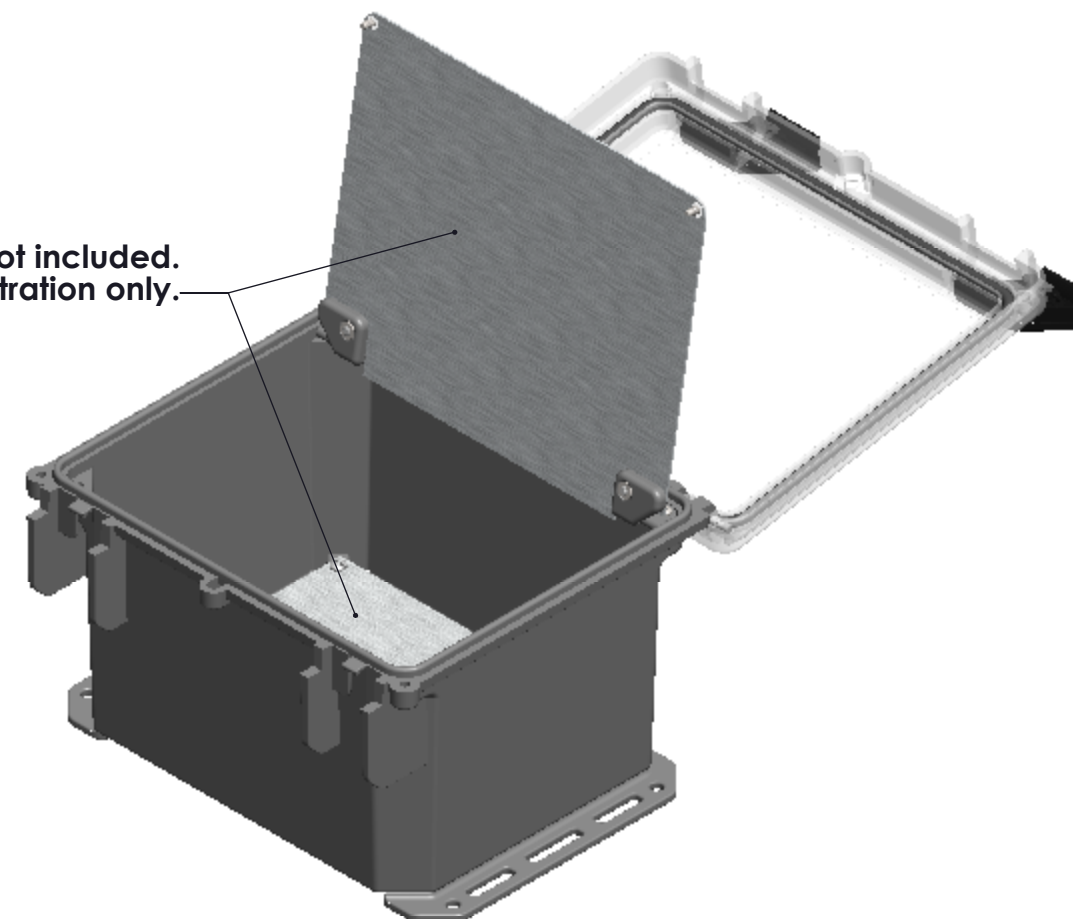
ALL DIMENSIONS ARE ± .010"

9/2/11

2009 Wright Ave. La Verne, CA 91750
Ph. (626) 331-0517 Fx. (626) 331-8584 serpac.com



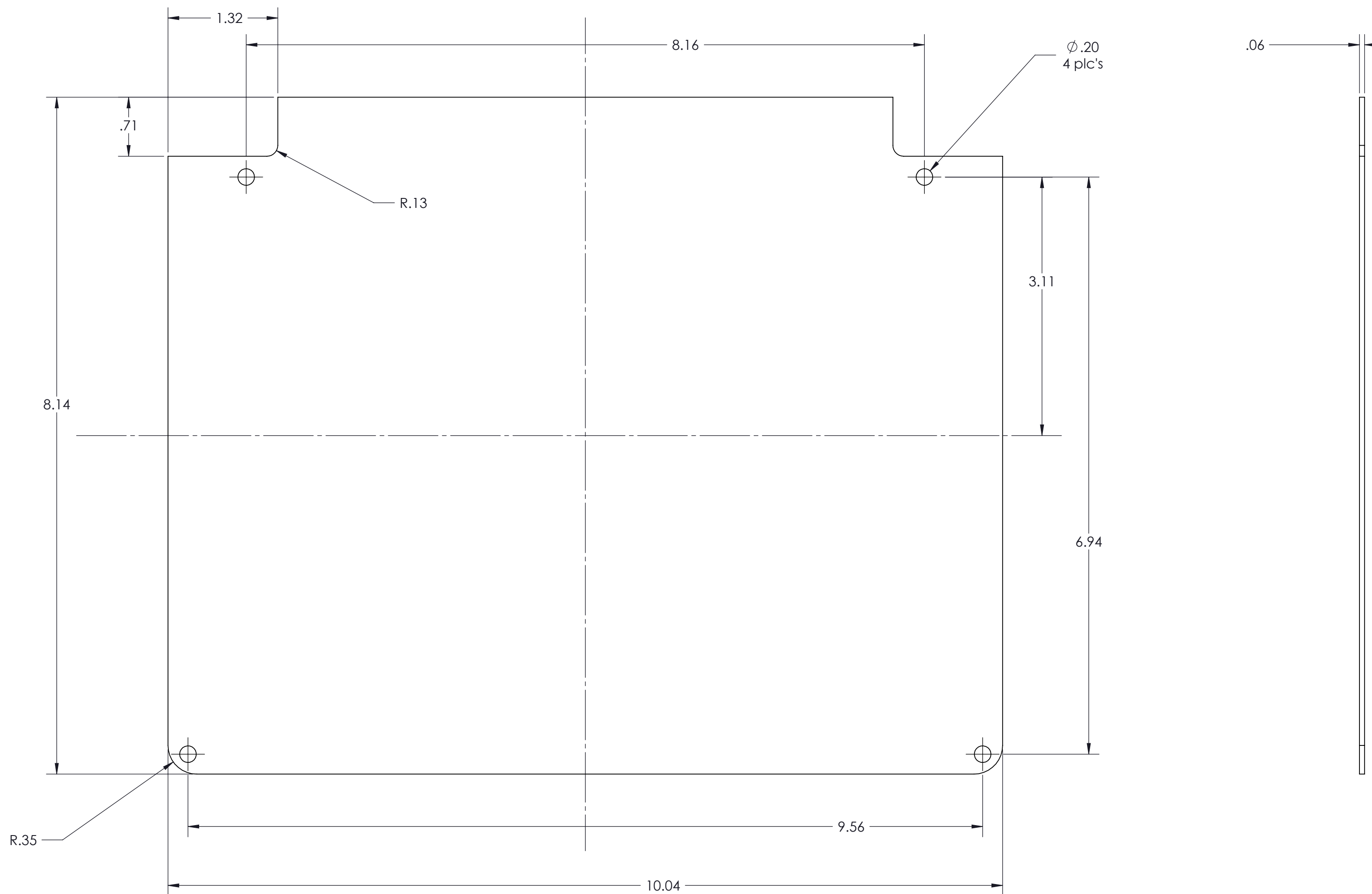
Aluminum panels are not included.
For illustration only.



Open 325HL with bottom flanges (2 included) and left hinged top plate.

7200TH Panel Kit

Hinged top panel for 352HL and 352HS



PARTS INCLUDED		
P/N	Qty.	Description
72020	1	Hinged top aluminum panel
6029	2	SS #10 X 3/8" Pan HL Screw
6030	2	SS #10 X 3/8" Pan Combo H/L Screw
6105	2	SS #10-32 X 1/8" Nut

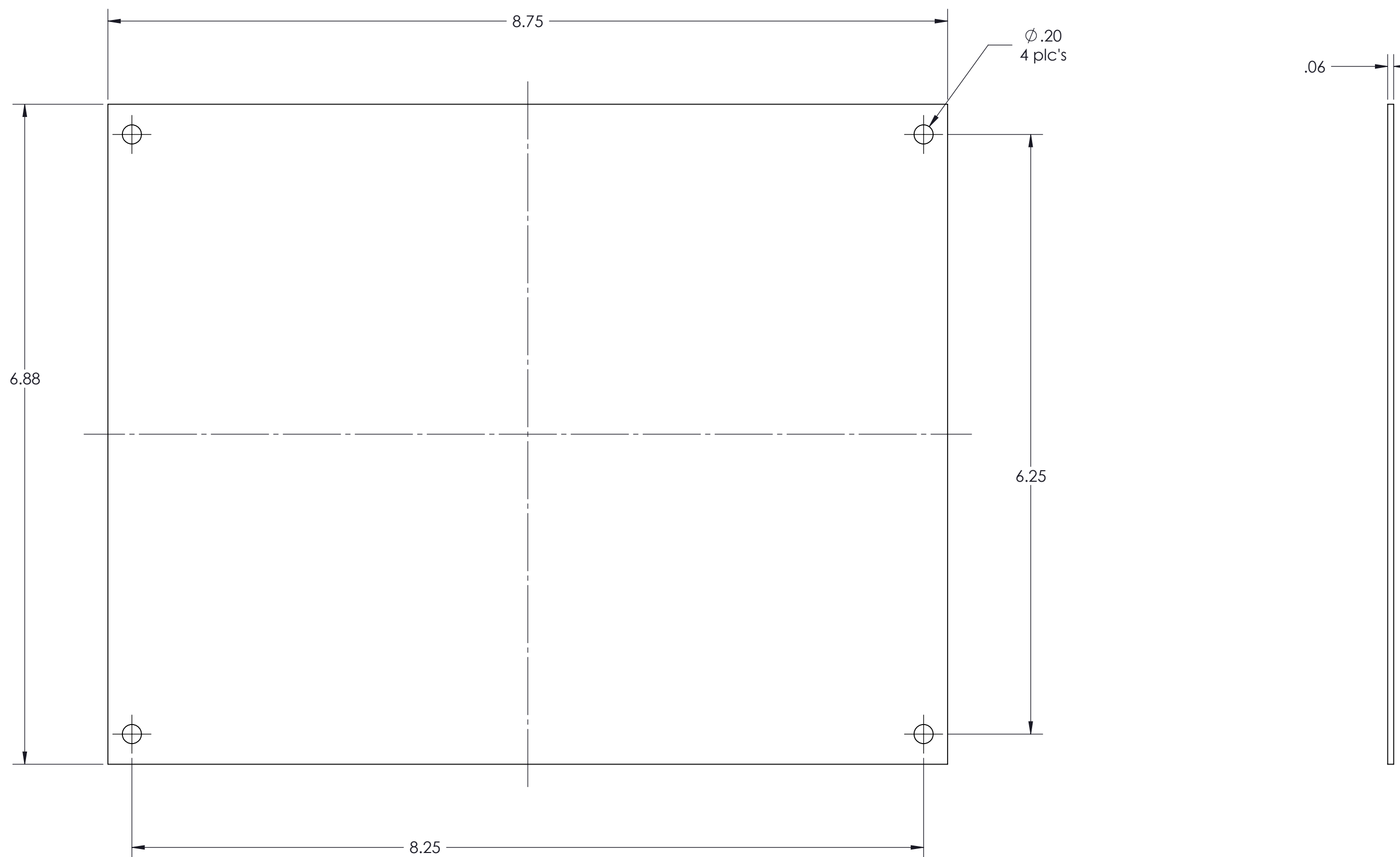
ALL DIMENSIONS ARE $\pm .010"$

5/4/11

2009 Wright Ave. La Verne, CA 91750
Ph. (626) 331-0517 Fx. (626) 331-8584 serpac.com

7200B Panel Kit

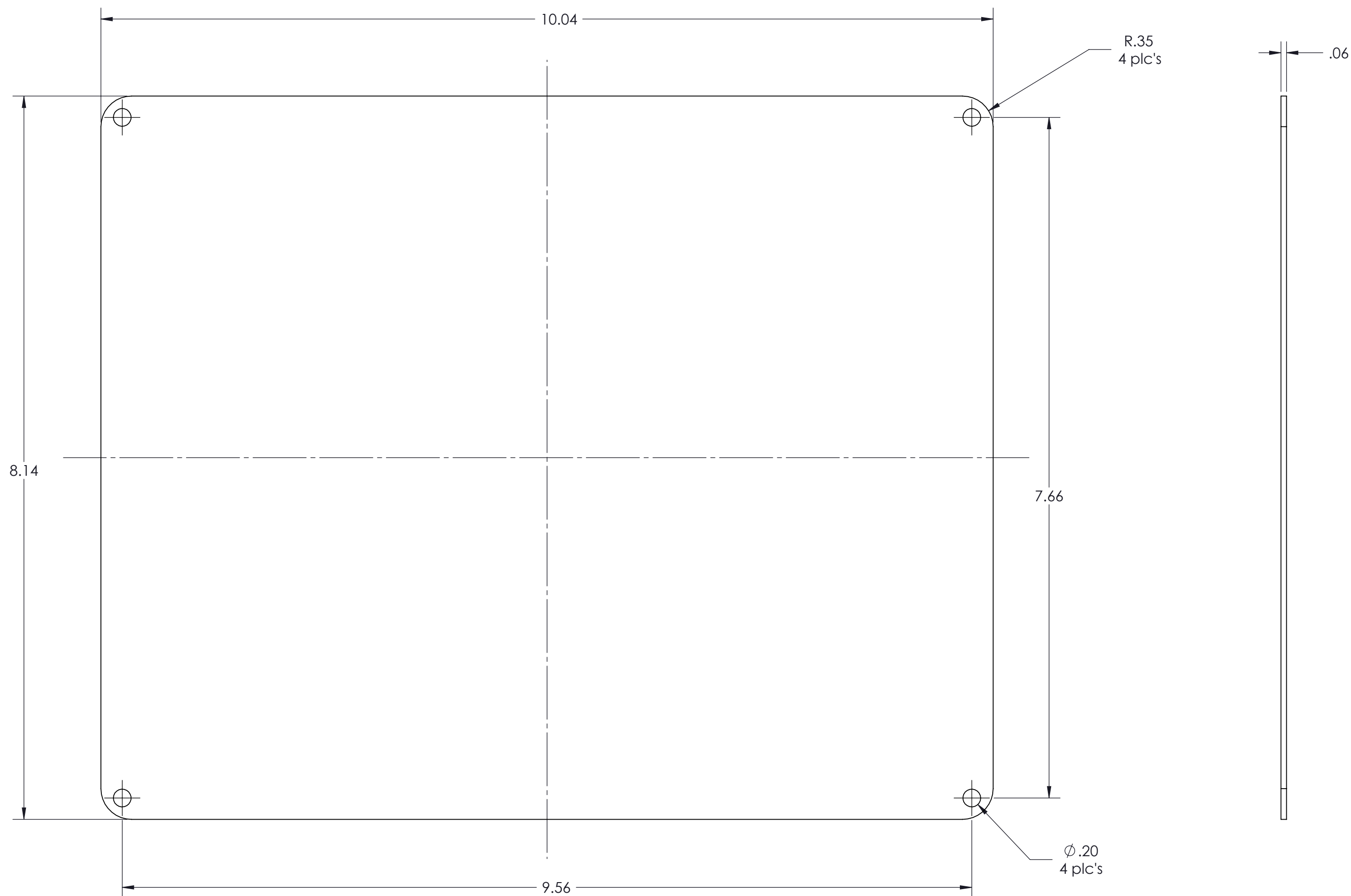
Bottom panel for 352HL, 352HS and 352S



PARTS INCLUDED		
P/N	Qty.	Description
72000	1	Bottom aluminum panel
6029	4	SS #10 X 3/8" Pan HL Screw

7200T Panel kit

Top panel for 352HL, 352HS and 352S



PARTS INCLUDED		
P/N	Qty.	Description
72040	1	Hinged top aluminum panel
6029	4	SS #10 X 3/8" Pan HL Screw

ALL DIMENSIONS ARE $\pm .010"$

5/4/11

2009 Wright Ave. La Verne, CA 91750
Ph. (626) 331-0517 Fx. (626) 331-8584 serpac.com