

NCA-2513

1U 19" Rackmount Network Appliance Built with Intel® Atom™ C3000 Processors (Codenamed Denverton-R)



Images are for reference only. See ordering information for SKU details.

■ Features

- Intel® Atom™ C3000 CPU (2 ~8 Cores)
- 2x GbE RJ45 Intel i210, 2x GbE RJ45 Intel i350-AM2, 4x GbE RJ45 Intel® SoC Integrated MAC, 2x Pairs of Gen3 Bypass (By SKU)
- 1x NIC Module Slot, 2x USB 3.0 (By SKU)
- 2x 288-pin DIMM DDR4 2400MHz ECC or Non-ECC UDIMM/RDIMM, Max. 64GB
- 2x 2.5" HDD/SSD Internal (By SKU), 1x M.2
- 1x PCI-E*8 or *4 FH/HL (By SKU), 1x Cooling Fan
- Intel® QuickAssist Technology

■ Specifications

Platform	
Form Factor	1U 19" Rackmount
Processor Options	Intel® Atom™ C3000 2~8 Cores (Denverton-R)
CPU Socket	Onboard
Chipset	SoC
Security Acceleration	Intel® QuickAssist Technology
BIOS	AMI SPI Flash BIOS
System Memory	
Technology	DDR4 2400MHz ECC or non-ECC UDIMM/RDIMM
Max. Capacity	64GB
Socket	2x 288-pin DIMM
Networking	
Ethernet Ports	2 x GbE RJ45 Intel® i210 2 x GbE RJ45 Intel® i350-AM2 (By SKU) 4 x GbE RJ45 Intel® SoC Integrated MAC
Bypass	2 Pairs Gen3 (by SKU)
NIC Module Slot	1
LOM	
IO Interface	N/A
OPMA Slot	N/A
I/O Interface	
Reset Button	1
LED	Power/Status/Storage
Power Button	1 x ATX Power Switch
Console	1 x RJ45
USB	2 x USB 3.0 or 2.0 (By SKU)
LCD Module	2 x 20 Character LCM, 4 x Keypads
Display	N/A
Power Input	AC Power Inlet on PSU

Storage	
HDD/SSD Support	2 x 2.5" Internal (By SKU)
Onboard Slots	1 x M.2
Expansion	
PCIe	1 x PCI-E*8 or *4 FH/HL (By SKU)
mini-PCIe	Yes (By SKU)
USB 3.0	1 x Pigeon LTE Module Support (Optional)
Miscellaneous	
Watchdog	Yes
Internal RTC with Li Battery	Yes
TPM	Yes
Cooling	
Processor	Passive CPU Heatsink
System	1 x Cooling Fan
Environmental Parameters	
Temperature	0~40°C Operating -20~70°C Non-Operating
Humidity (RH)	5~90% Operating 5~95% Non-Operating
System Dimensions	
(WxDxH)	438 x 321 x 44 mm
Weight	4.4 kg
Package Dimensions	
(WxDxH)	540 x 500 x 230 mm
Weight	8 kg
Power	
Type / Watts	150W ATX Single PSU
Input	AC 90V~264V @47~63Hz
Certification	
Approvals and Compliance	RoHS, CB, CE, FCC, UL

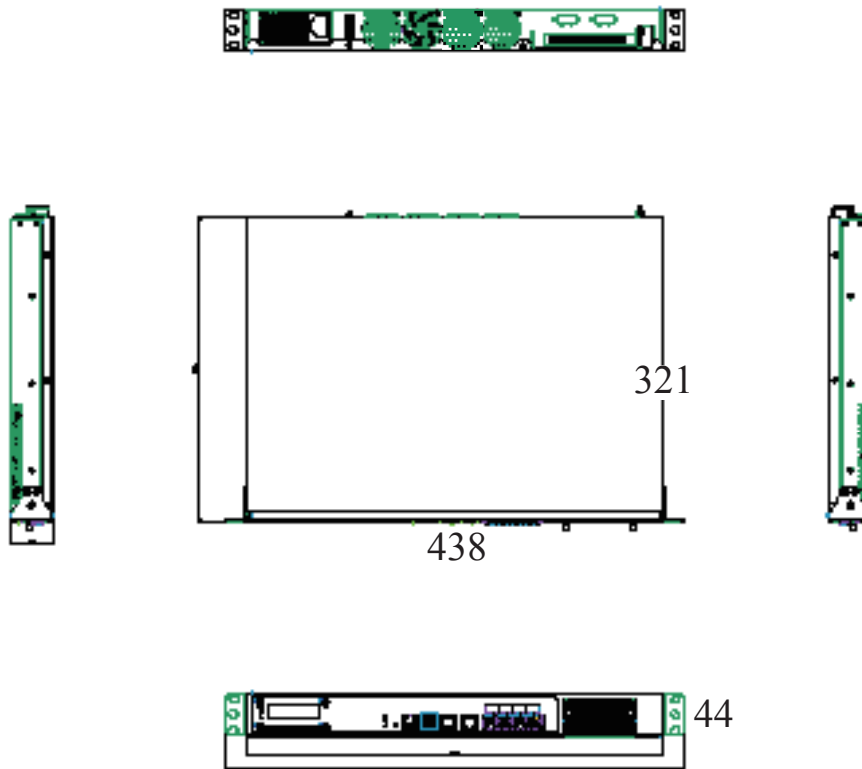
Product I/O View

Images are for reference only. See ordering information for SKU details.



- | | | |
|---------------------------------------|---|-----------------------|
| A LCM w/ Keypads | E RJ45 Intel i210 | I Cooling Fan |
| B Console Port | F RJ45 Intel® SoC Integrated MAC | J Power On/Off |
| C USB 3.0 or 2.0 | G NIC Module | |
| D RJ45 Intel i350-AM2 (By SKU) | H PCI-E*8 or *4 FH/HL (By SKU) | |

Dimensions (WxDxH): 438 x 321 x 44 mm



Ordering Information

NCA-2513A	Atom 8C C3758 with QAT + 8x GbE RJ45 with 2 Pairs of Bypass + 1x NIC Module
NCA-2513B	Atom 4C C3558R with QAT + 8x GbE RJ45 with 2 Pairs of Bypass + 1x NIC Module
NCA-2513C	Atom 4C C3558 with QAT + 6x GbE RJ45 without Bypass + 1x NIC Module
NCA-2513D	Atom 2C C3338R with QAT + 6x GbE RJ45 without Bypass + 1x NIC Module

V1-2020.08.03

Lanner

© Lanner Electronics Inc. All rights reserved.
All product specifications are subject to change without notice.
contact@lannerinc.com | www.lannerinc.com